



www.midmark.com  
 design@midmark.com  
 Phone: 1-800-MIDMARK

Project Name **AH Customer Experience Center**

Project # **MS190635**

Phase **01**

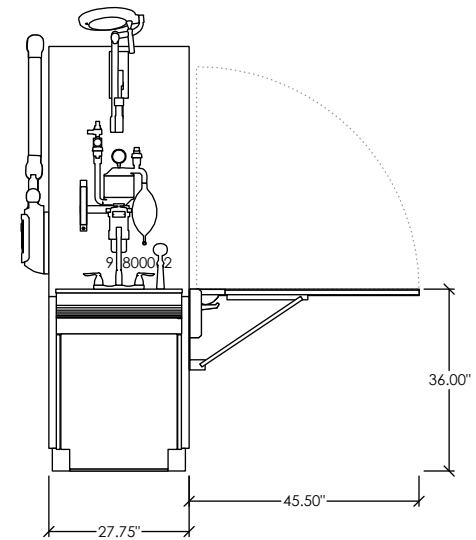
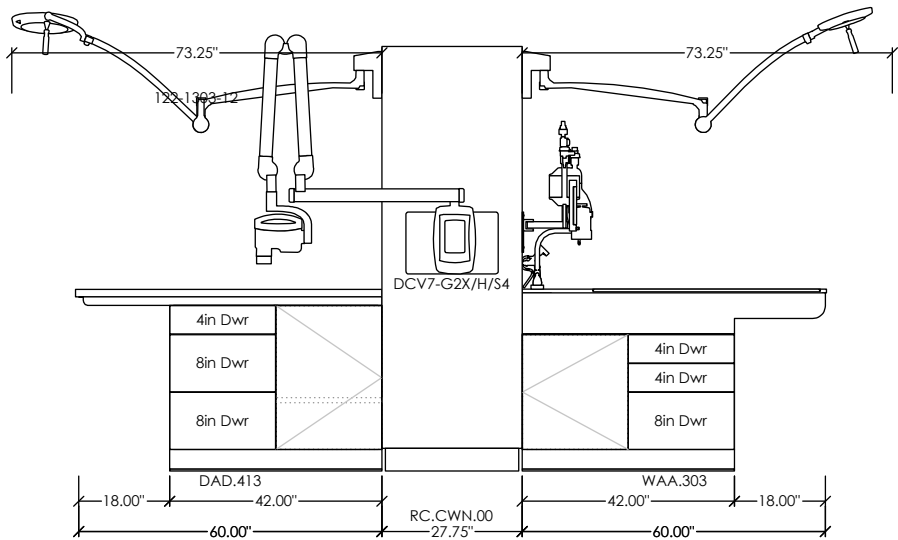
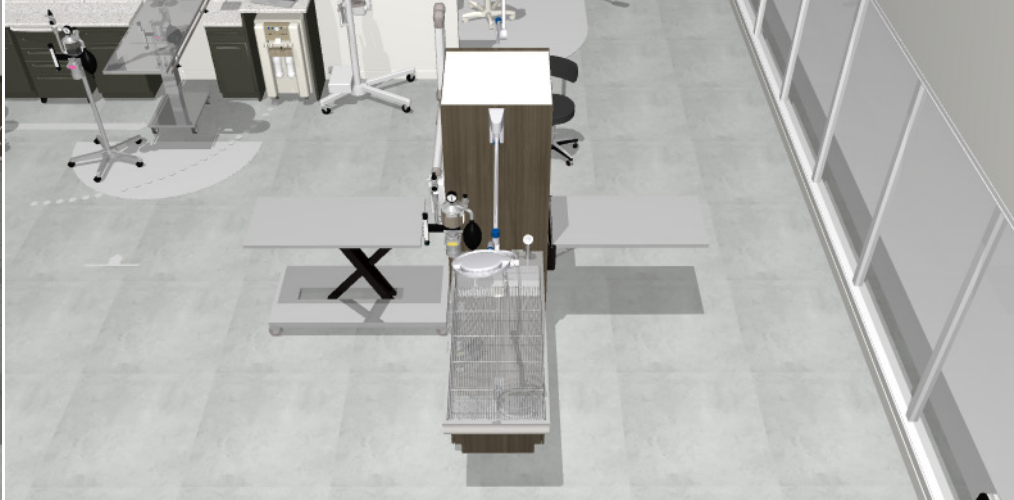
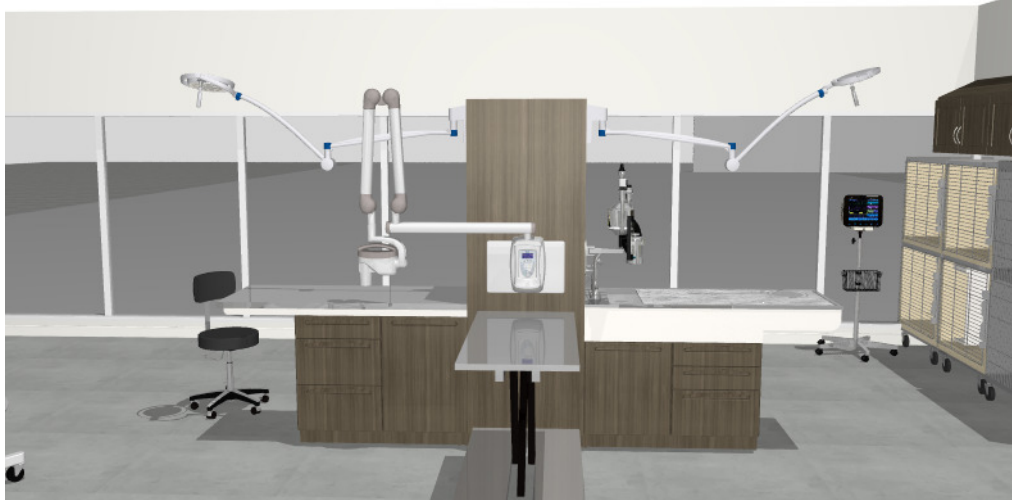
Rev: **1**

**Signed Drawings Required To Process Order**

Base Finish:	802-Storm	Tasklight:	None	Top Material:	None
Upper Finish:		Grommet:	None	Top Color:	None
Panel Style:	Cove Panel	Cutout:	None	Note:	
Handle:	None	Note:		Sink:	None
Lock:	No Lock	Note:		Faucet:	Faucet and Sprayer

(Signature) \_\_\_\_\_

(Date)



07-Treatment Room

See Countertop Detail Sheet: None



www.midmark.com  
 design@midmark.com  
 Phone: 1-800-MIDMARK

Project Name **AH Customer Experience Center**

Project # **MS190635**

Phase **01**

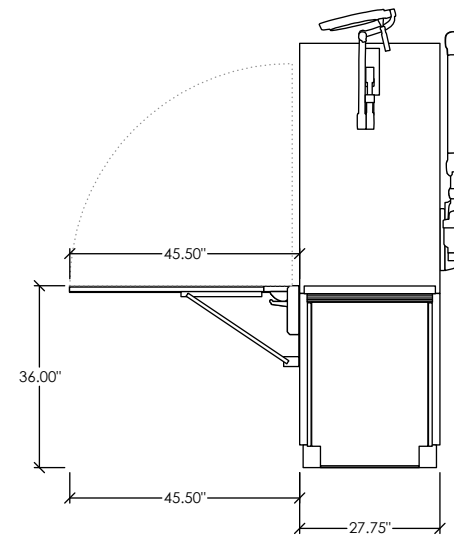
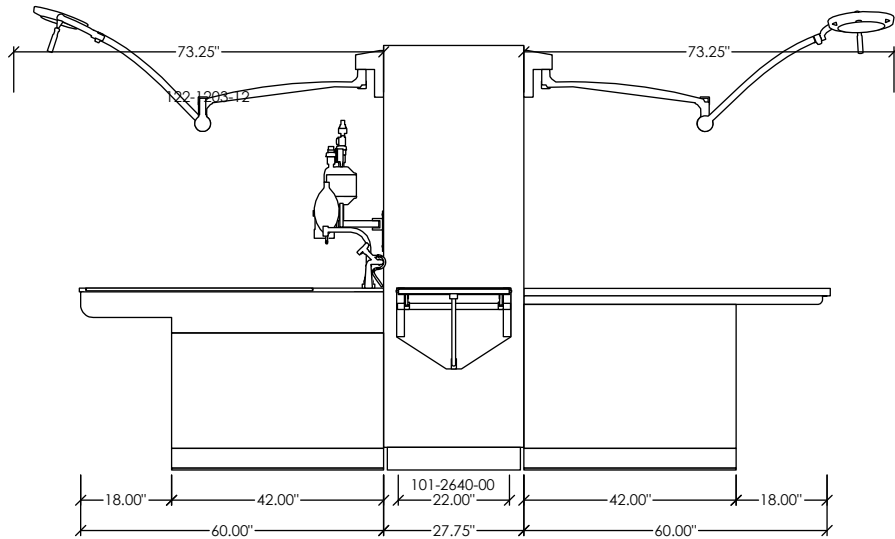
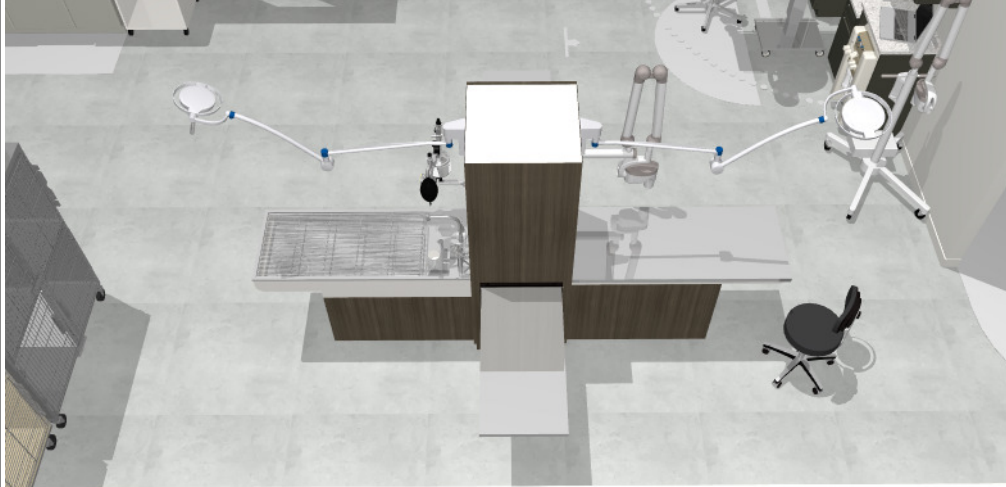
Rev: **1**

**Signed Drawings Required To Process Order**

Base Finish:	802-Storm	Tasklight:	None	Top Material:	None
Upper Finish:		Grommet:	None	Top Color:	None
Panel Style:	Cove Panel	Cutout:	None	Note:	
Handle:	None	Note:		Sink:	None
Lock:	No Lock	Note:		Faucet:	Faucet and Sprayer

(Signature)

(Date)



07-Treatment Room

See Countertop Detail Sheet: None



www.midmark.com  
 design@midmark.com  
 Phone: 1-800-MIDMARK

Project Name **AH Customer Experience Center**

Project # **MS190635**

Phase **01**

Rev: **1**

**Signed Drawings Required To  
 Process Order**

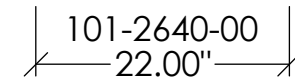
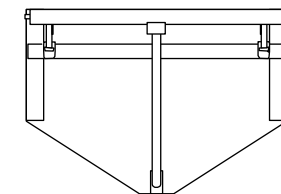
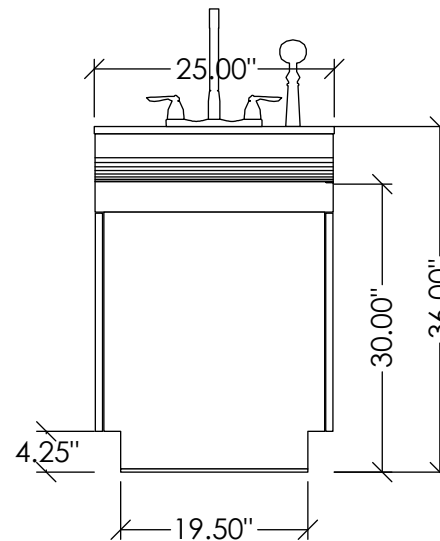
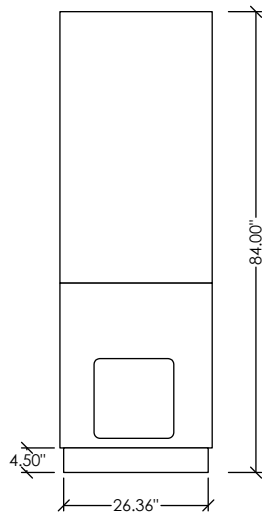
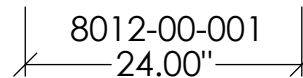
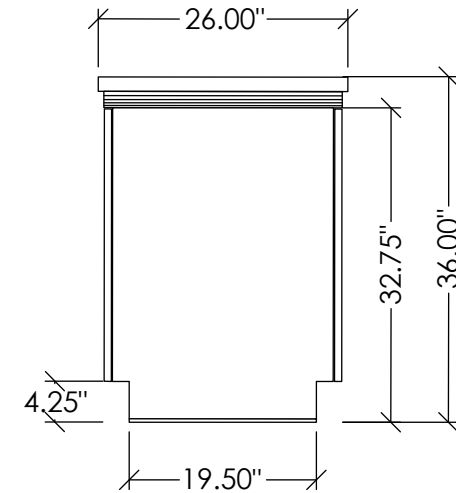
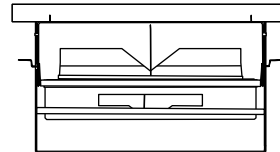
### Chase/Table Details

(Signature) \_\_\_\_\_

(Date)

Chase soffit height selection is needed before ordering:

- No Soffit
- 8' Ceiling (20" Soffit)
- 9' Ceiling (32" Soffit)
- 10' Ceiling (44" Soffit)
- 11' Ceiling (56" Soffit)
- 12' Ceiling (68" Soffit)



07-Treatment Room



www.midmark.com  
 design@midmark.com  
 Phone: 1-800-MIDMARK

Project Name **AH Customer Experience Center**

Project # **MS190635**

Phase **01**

Rev: **1**

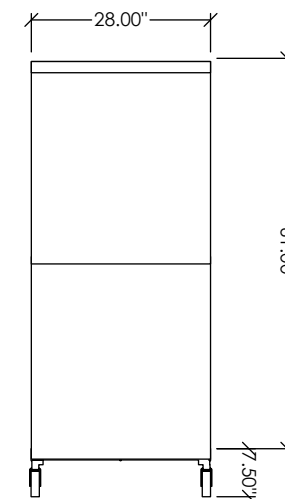
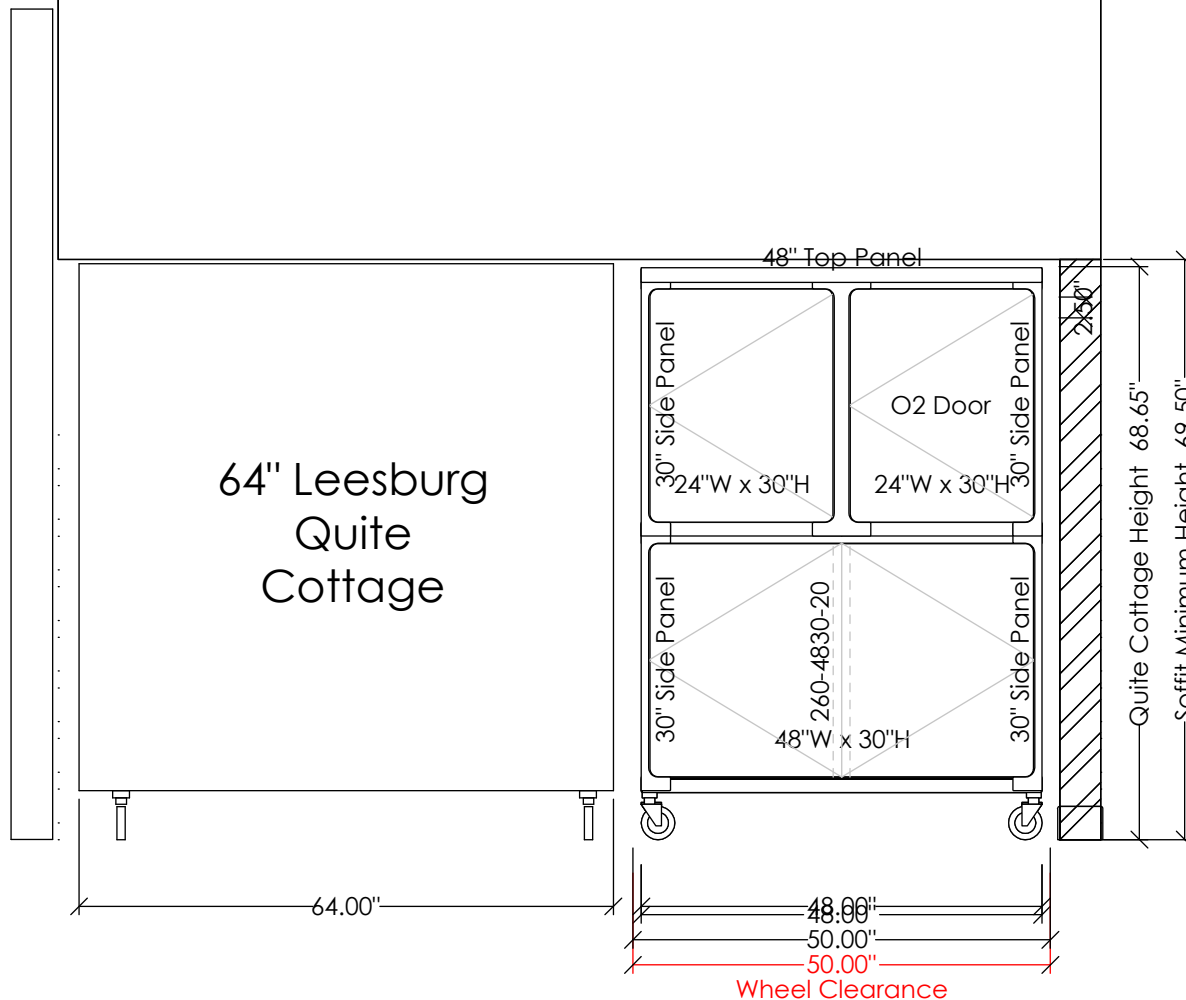
**Signed Drawings Required To Process Order**

Base Finish: **Stainless Steel** Accessories:

Note: **Field Measurement Required**

(Signature)

(Date)





www.midmark.com  
 design@midmark.com  
 Phone: 1-800-MIDMARK

Project Name **AH Customer Experience Center**

Project # **MS190635**

Phase **01**

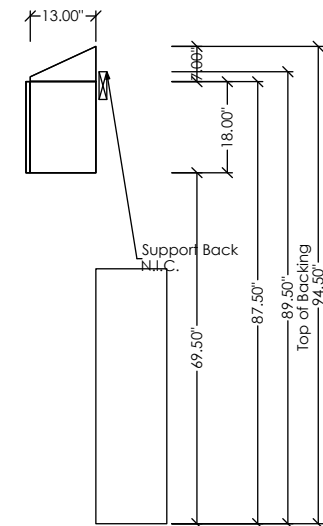
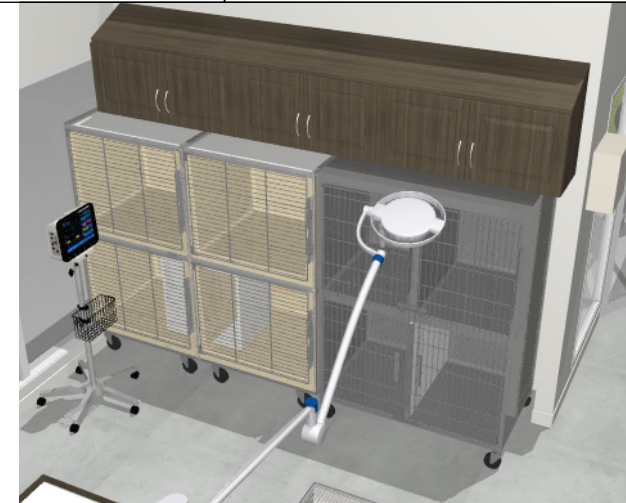
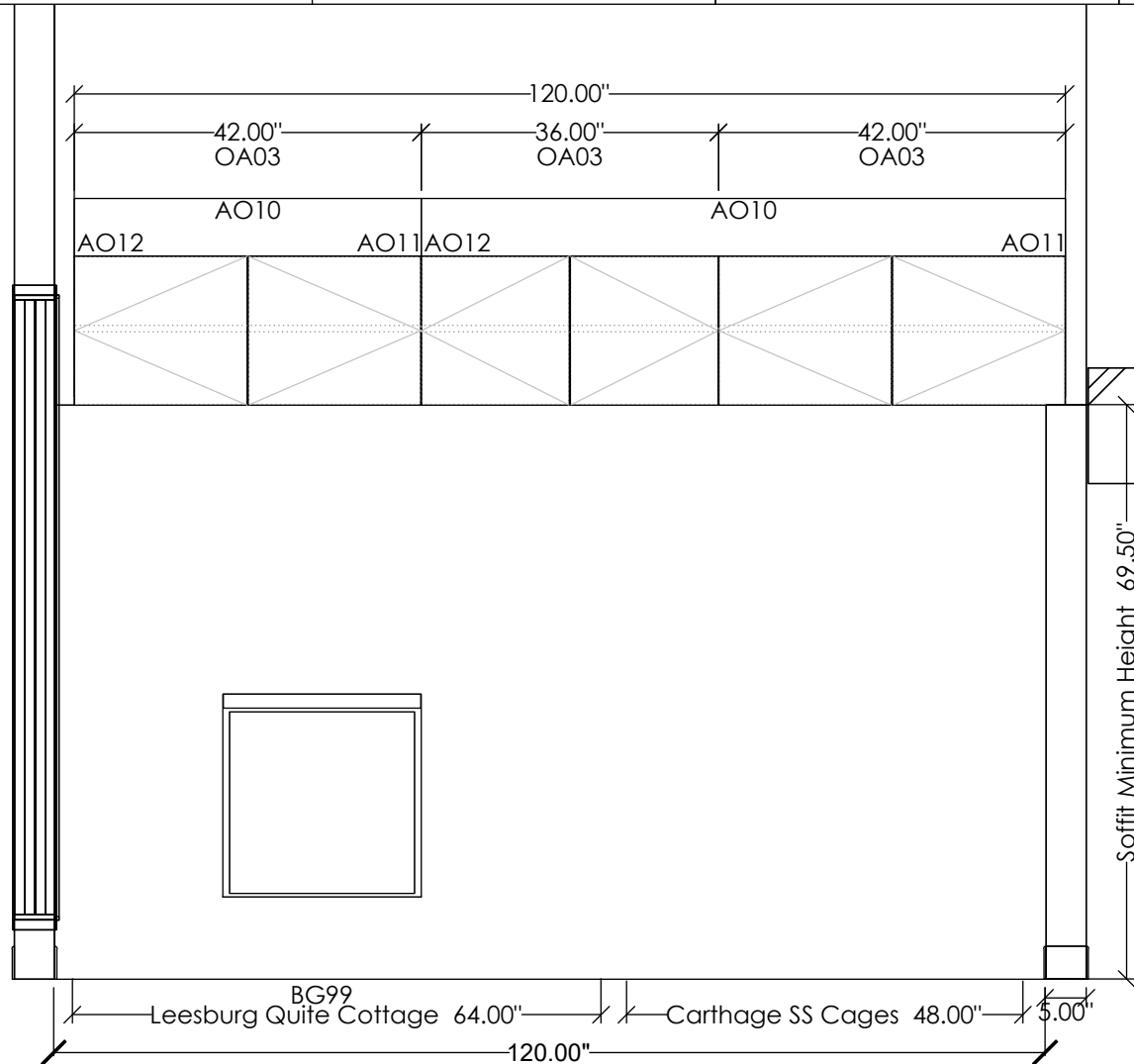
Rev: **1**

**Signed Drawings Required To Process Order**

Base Finish:	791-Frost	Tasklight:	None	Top Material:	None
Upper Finish:	802-Storm	Grommet:	None	Top Color:	None
Panel Style:	Pin Core Panel	Ultrasonic:	None	Note:	
Handle:	Brushed Nickel Flare	Note:		Sink:	None
Lock:	No Lock	Note:		Faucet:	None

(Signature)

(Date)



07-Treatment Room

See Countertop Detail Sheet: None