



PROGENY VANTAGE® C

- 2D Panoramic System with easy-to-use cephalostat can be installed either left or right
- Includes Vantage Trust® remote training and positioning assistance
- Award-winning open design improves patient comfort



FEATURES

EXCEPTIONAL IMAGING

- Full feature panoramic system with five pre-programmed panoramic techniques including pediatric, bitewing and TMJ exams
- The most widely used cephalometric views - lateral, AP, PA
- Detailed, high-quality images combined with unique soft tissue filtering delivers superior patient profile definition
- User-selectable field sizes confine the area of exposure to best fit patient examination requirements

EXCEPTIONAL FEATURES

- Positioning tools include three lasers, temple wands, chin block and bite guide for panoramic exams. Easy-to-use cephalostat, ear posts and nasion positioner for ceph exams ensure accurate, repeatable positioning.

- Includes Vantage Trust—Midmark's exclusive remote training and positioning assistance. Vantage Trust offers prompt feedback for improved patient care.

EXCEPTIONAL VALUE

- TWAIN included
- Progeny® Imaging Software with DICOM included
- Award-winning, elegant design and workflow features
- Technology-driven simplicity

EXCEPTIONAL FEATURES, EXCEPTIONAL FLEXIBILITY

A cephalometric system allows viewing teeth in relation to the jaw and the patient's profile for the ideal orthodontic planning and treatment. The Progeny Vantage® C can be fitted with two dedicated sensors—one panoramic, one cephalometric—for optimal examination efficiency. Or select one sensor to use for both functions, knowing you can add a second sensor in the future. Enriched by the exclusive Clarity Enhanced Imaging Filter Set, Vantage C provides the soft tissue visualization for the detailed patient profiles you need to identify bony and soft tissue landmarks. These critical points of reference are essential for accurate measurement in orthodontic patient treatment care planning.

ADDITIONAL FEATURES



Cephalostat, ear posts and nasion positioner ensure accurate positioning



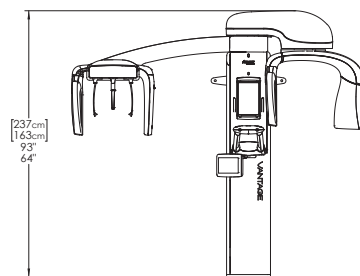
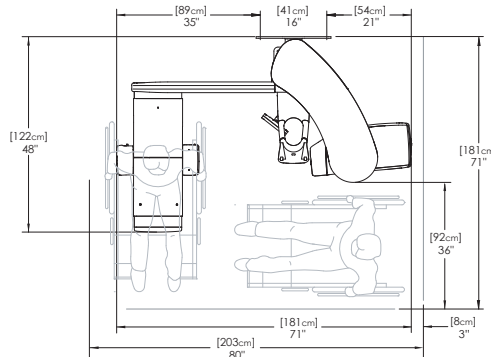
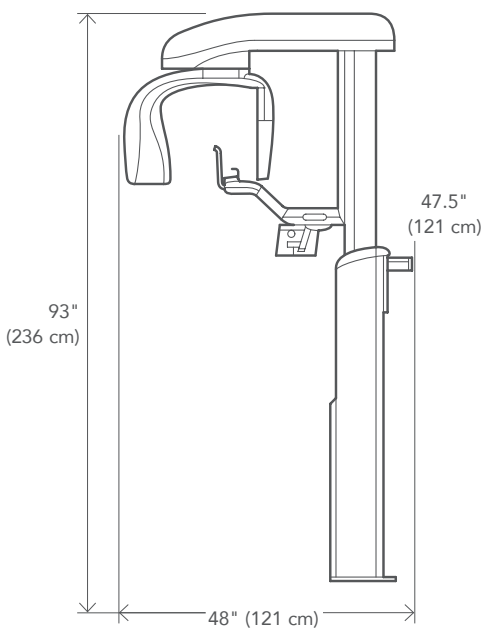
Vantage Touch® interactive operator panel is easy to use



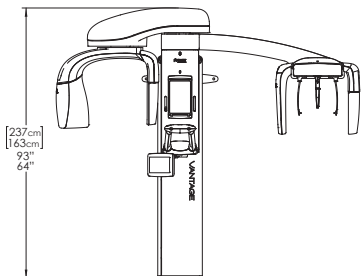
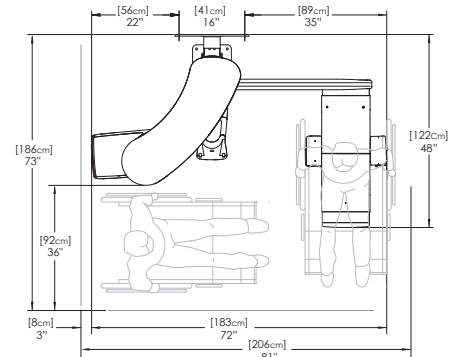
Slit-scan collimation reduces scatter radiation, improving image visualization

VANTAGE SPECIFICATIONS

Generator	High frequency, constant potential
Filtration	3.2 mmAL
Line current	15 A at 120 VAC, 8 A at 230 VAC
Sensor type:	CCD digital
SID	500 mm
Focal spot	0.5 mm
mA	4 - 14 mA +/- 20%
kV	54 - 84 kV +/- 10%
Spinal compensation	Automatic kV adjustment
Patient entry	Field Configurable
Panoramic programs	Adult panoramic Enhanced panoramic TMJ, open and closed Bitewing Pediatric panoramic Vertical segmentation
Ceph Programs	AP, PA, Lateral Left or Right
Control	LCD Touch Screen
Mounting options	Wall-mount bracket Floor installation base (optional)
Weight (pan only)	220 lb (99.79 kg)
Actual product dimensions	Width: 72" (183 cm) Depth: 48" (122 cm) Height: 93" (236 cm)
Ceph upgrade capability	Left or Right Mount



CEPH @ LEFT



CEPH @ RIGHT

ORDERING GUIDE

The Progeny Vantage C Digital Panoramic System includes a wall-mount bracket, 25-ft corded push-button X-ray switch, wall-mounted push-button X-ray switch, and Progeny Imaging Software with DICOM, TWAIN client, user guide and installation manual.

- V5000C** Vantage Digital Panoramic with Ceph, 2-sensor system
- V5050C** Vantage Digital Panoramic with Ceph, 1-sensor system
- C6000** Cephalometric Attachment with Ceph sensor
- C4000** Cephalometric Attachment with no sensor

NETWORK REQUIREMENTS

All communication components within the practice network are required to operate at the rate of 100 megabits per second or higher. For Progeny® Imaging Software requirements please visit midmark.com



HOW-TO VIDEOS

Visit our playlist for instructional videos about the Progeny Vantage 2D Panoramic System.

midmark.com/cephalometricvideo

Manufactured in the U.S.A.

Specifications are subject to change without notice.

Midmark is an ISO 13485 and ISO 9001 Certified Company. For more information or a demonstration, contact your Midmark dealer or call: 1-800-MIDMARK Fax: 1-877-725-6495 Outside the U.S.A. call: 1-937-526-3662 Fax: 1-937-526-8214 or visit our website at midmark.com

© 2018 Midmark Corporation, Dayton, OH. Products subject to improvement changes without notice Litho in U.S.A. 007-10041-00 Rev. A1 (2/18)



Because we care.