



PROGENY VANTAGE® DIGITAL PANORAMIC SYSTEM

Extraoral X-rays let you keep track of growth and development, examine the bones of the face and relationship between teeth and jaws, and show the status of impacted teeth. Experience the ease of use and improved patient comfort with the Progeny Vantage Digital Panoramic System, designed to improve the way you work. With an integrated Microsoft Windows®-based computer, Vantage lets you set up exams and deliver diagnostic images chairside, giving you more time with the patient for positioning and image review. The Progeny Vantage Panoramic System delivers the features necessary to support efficient imaging workflow in your practice and improve patient care.

LEFT: Open, compact design optimizes space requirements and is ceph-upgradeable for expanded exam capabilities.

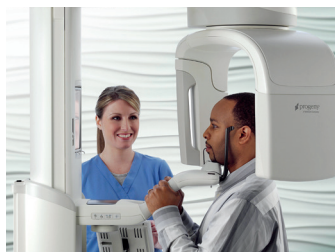
TREATMENT PLANNING MADE SIMPLE WITH STREAMLINED WORKFLOW

- Five pre-programmed exam settings, including bitewing, minimize exam set-up time and allow routine diagnostic exams to be performed extraorally for improved clinical efficiency and patient experience
- Exclusive Focal Trough Alignment reminder assists in consistent patient positioning
- Progeny® Imaging software included for download on an unlimited number of operatory workstations with no additional user fees
- Exclusive VantageTrust® remote support and training service offered at no charge for the first 60 days of use
- Online training videos can be accessed and viewed on the VantageTouch® operator panel
- Ceph upgradeable for expanded extraoral exam capabilities
- The Progeny Vantage® Panoramic System is proudly designed and manufactured in the USA

FEATURES DESIGNED FOR THE WAY YOU WORK



The easy-to-use, tablet-like Vantage Touch® operator panel.



Positioning training for staff is offered for the first 60 days at no charge through the exclusive Vantage Trust® remote support and training service.



Adult Panoramic

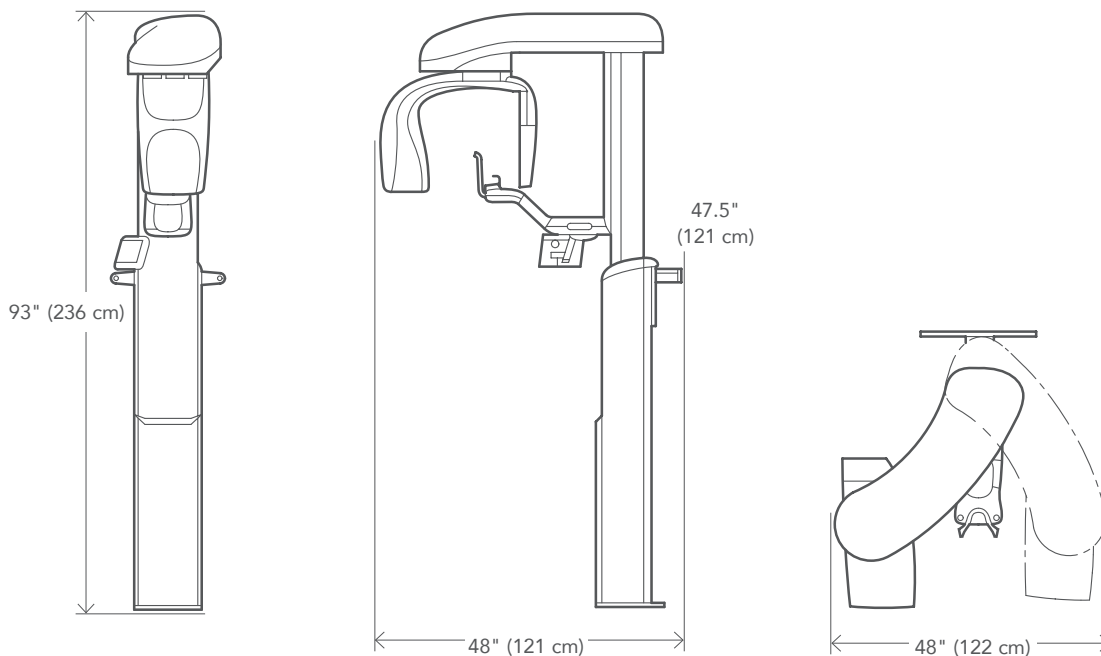


Progeny Clarity™ enhanced filter set and automatic spinal compensation provide enhanced diagnostic imaging quality for accurate diagnosis.

VANTAGE SPECIFICATIONS

Generator	High frequency, constant potential
Filtration	3.2 mmAL
Line current	15 A at 120 VAC, 8 A at 230 VAC
Sensor type:	CCD digital
SID	500 mm
Focal spot	0.5 mm
mA	4 - 14 mA +/- 20%
kV	54 - 84 kV +/- 10%
Spinal compensation	Automatic kV adjustment
Patient entry	Field Configurable
Panoramic programs	Adult panoramic Enhanced panoramic TMJ, open and closed Bitewing Pediatric panoramic Vertical segmentation
Control	LCD Touch Screen
Mounting options	Wall-mount bracket Floor installation base (optional)
Weight	220 lb (99.79 kg)
Actual product dimensions	Width: 48" (122 cm) Depth: 48" (122 cm) Height: 93" (236 cm)
Ceph upgrade capability	Left or Right Mount

Specifications are subject to change without notice.



ORDERING GUIDE

The Progeny Vantage Digital Panoramic System includes a wall-mount bracket, 25-ft corded push-button X-ray switch, wall-mounted push-button X-ray switch, and Progeny® Imaging Software with DICOM, TWAIN client, user guide and installation manual.

V5000	Vantage Digital Panoramic System
60-A1015*	Vantage Free-Standing Base
30-A2044	Lighted Remote Exposure Switch
60-P0017	Chin Rest
60-P0018	Bite Piece
60-P0044	TMJ Positioner
60-S0027	Bite Block Sheaths, 500/Box
60-S0036	TMJ/Wand Sheaths, 500/Box
VANTRUST	Vantage Trust® Service - 3-month subscription

*Only for use on model V5000

VANTAGE NETWORK REQUIREMENTS

All communication components within the practice network are required to operate at the rate of 100 megabits per second or higher. Progeny® Imaging Software Requirements: please see midmark.com.



HOW-TO VIDEOS

Visit our playlist for instructional videos about the Progeny Vantage 2D Panoramic System.

midmark.com/panoramicxray

Midmark is an ISO 13485 and ISO 9001 Certified Company. For more information or a demonstration, contact your Midmark dealer or call: 1-800-MIDMARK Fax: 1-877-725-6495 Outside the U.S.A. call: 1-937-526-3662 Fax: 1-937-526-8214 or visit our website at midmark.com

© 2018 Midmark Corporation, Dayton, OH. Products subject to improvement changes without notice. Litho in U.S.A. 007-10043-00 Rev. A1 (2/18)



Because we care.