



**WARNING**

To prevent risk of shock always disconnect power before removing covers or performing any service procedure.

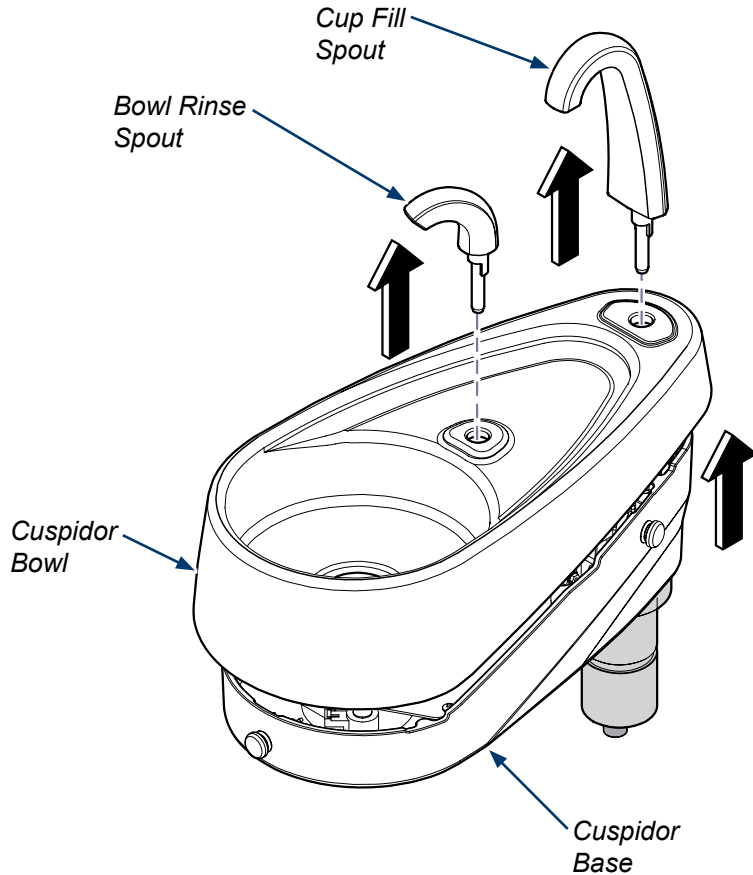
**Note**

Assure Water and Air are turned off to cuspidor prior to installing kit.

## Procenter

**Step 1: Remove Cuspidor Bowl.**

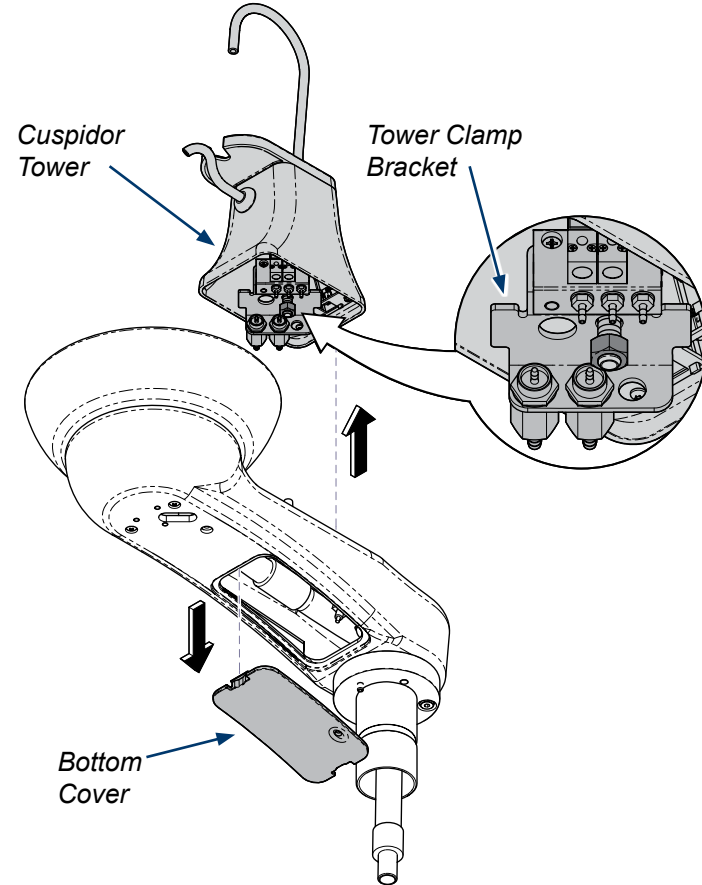
- A) Pull up to remove Cup Fill and Bowl Rinse Spouts.
- B) Lift Cuspidor Bowl off Cuspidor Base.



## Elevance

**Step 1: Remove Cuspidor Tower Assembly.**

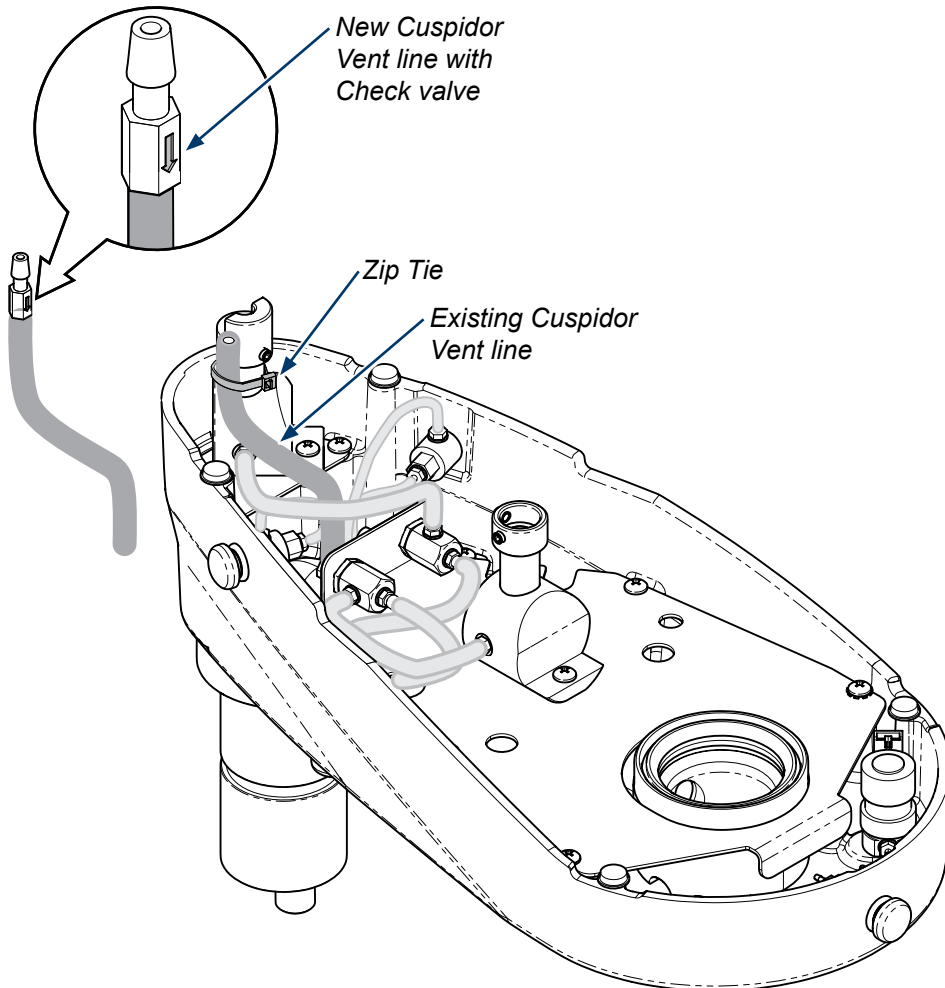
- A) Remove Bottom Cover .
- B) Loosen nut and rotate Tower Clamp Bracket.
- C) Lift Cuspidor Tower up off Cuspidor. Use care with wires and hoses.



## Procenter

### **Step 2: Replace Vent Line.**

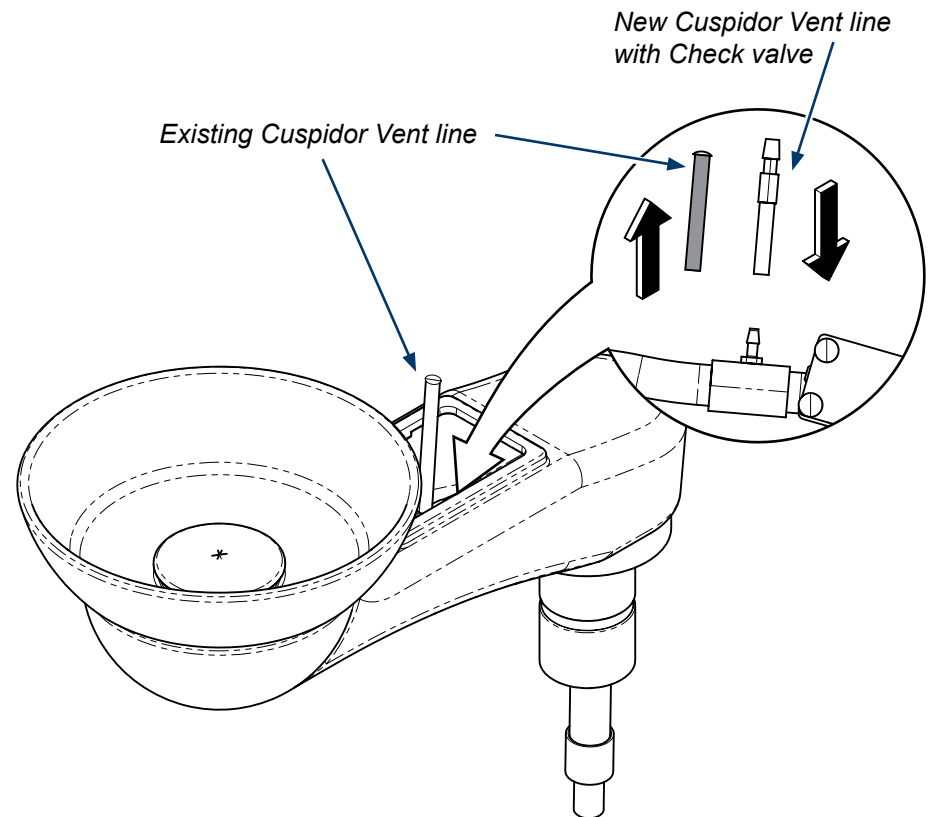
- A) Remove existing Vent line from barb and pull free of zip tie.
- B) Position Check Valve with arrow pointing down and attach to New Vent line.
- C) Install New Vent line with Check Valve under zip tie and attach to barb.



## Elevance

### **Step 2: Replace Vent Line.**

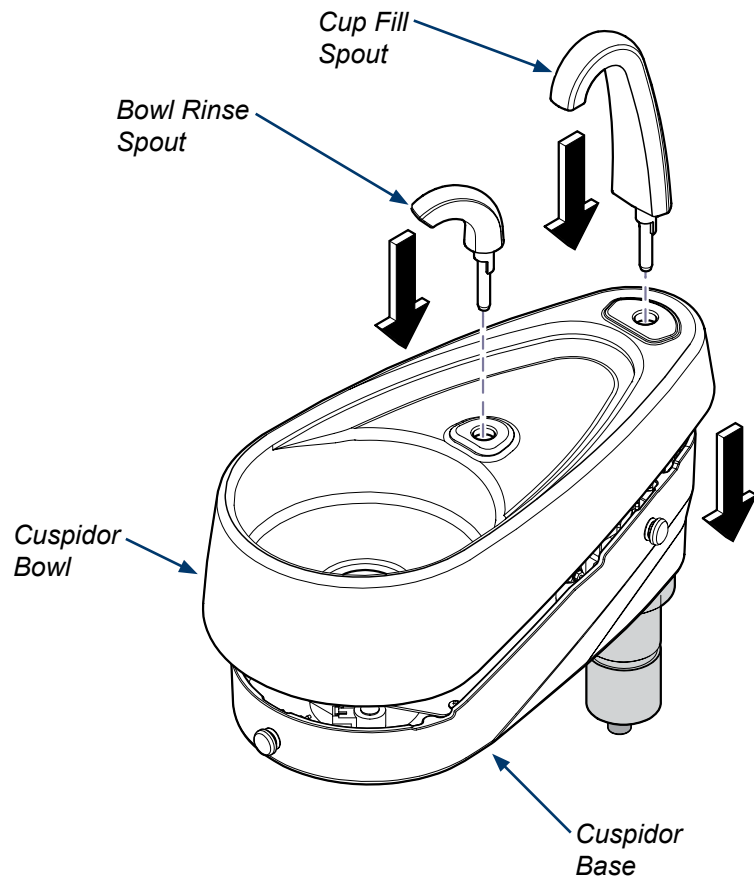
- A) Remove existing Vent line from barb and pull free of zip tie.
- B) Position Check Valve with arrow pointing down and attach to New Vent line.
- C) Install New Vent line with Check Valve to barb.



## Procenter

### **Step 3: Re-assemble Cuspidor.**

- A) Install Cuspidor Bowl making sure to not pinch any tubes or wires.
- B) Install Cup Fill and Bowl Rinse Spouts.
- C) Turn on air and water and test for leaks.



## Elevance

### **Step 3: Re-assemble Cuspidor.**

- A) Position Cuspidor Tower onto Cuspidor Base making sure to not pinch any tubes or wires.
- B) Rotate Tower Clamp Bracket into position and tighten Nut.
- C) Install bottom cover, turn on air and water and test for leaks.

