

Junction Box Pre-Installation Guide



Parts Bag Contents

Floor Template 1
Elbow Fitting 1
Adapter 1
Stop Valve 2

Special Tools

none

Attention!

J-Box must be positioned within reach of the umbilical.

Unit Mounting Style

LR
Console
Wall / Cabinet Mtd.

Umbilical Length

4 ft (1.2m)
4 ft (1.2m)
4 ft (1.2m)

Electrical Requirements



EQUIPMENT ALERT

When installing **115 VAC** receptacle in the large junction box, the ground must be positioned as shown on diagram/template to accommodate power cord. Refer to appropriate J-Box Diagram page of this module for reference.

115 VAC models only: Grounding reliability can only be achieved if this equipment is connected to an equivalent receptacle marked Hospital Grade (NEMA 5-15R, HOSPITAL GRADE).

Attention!

The electrical and plumbing supply connectors inside the J-Box (Junction Box) must be installed by an electrician and plumber in compliance with local building codes. All required hardware is to be supplied by contractor.

Large Junction Box:

1/2 in. (13 mm) conduit box w/quad receptacle.

Small Junction Box :

1/2 in. (13 mm) conduit box w/duplex receptacle.

Wire box per local codes and regulations.

Top of box must be no higher than 5 in.

(127 mm) above finished surface of floor.

Water Supply Requirements

1/2 in. (13 mm) pipe (supplied by contractor) protruding 2 in. (51 mm) above finished surface of floor. Manual shut-off valve (supplied by Midmark) to be installed by contractor.

Water pressure must be 30-50 (max.) PSI at the shut-off valve. Flush water plumbing clean before making final connections to dental equipment.

Recommended water supply hardness level <60 ppm of calcium carbonate.

Air Supply Requirements

1/2 in. (13 mm) pipe (supplied by contractor) protruding 2 in. (51 mm) from finished surface of floor. Manual shut-off valve (supplied by Midmark) to be installed by contractor.

Air pressure must be 70-100 (max.) PSI at the shut-off valve. Flush air plumbing clean before making final connections to dental equipment.

Air supply to be filtered, dry and oil-free per NFPA 99 requirements or equivalent local codes.

Drain Requirements (optional)

Not less than 1 1/2 in. (38 mm) I.D. pipe from downpipe to trap, decreasing to 3/4 in. (19 mm) pipe from trap to connection box. Terminate with 3/4 in. (19 mm) pipe protruding 1 in. (26 mm) above finished surface of floor.

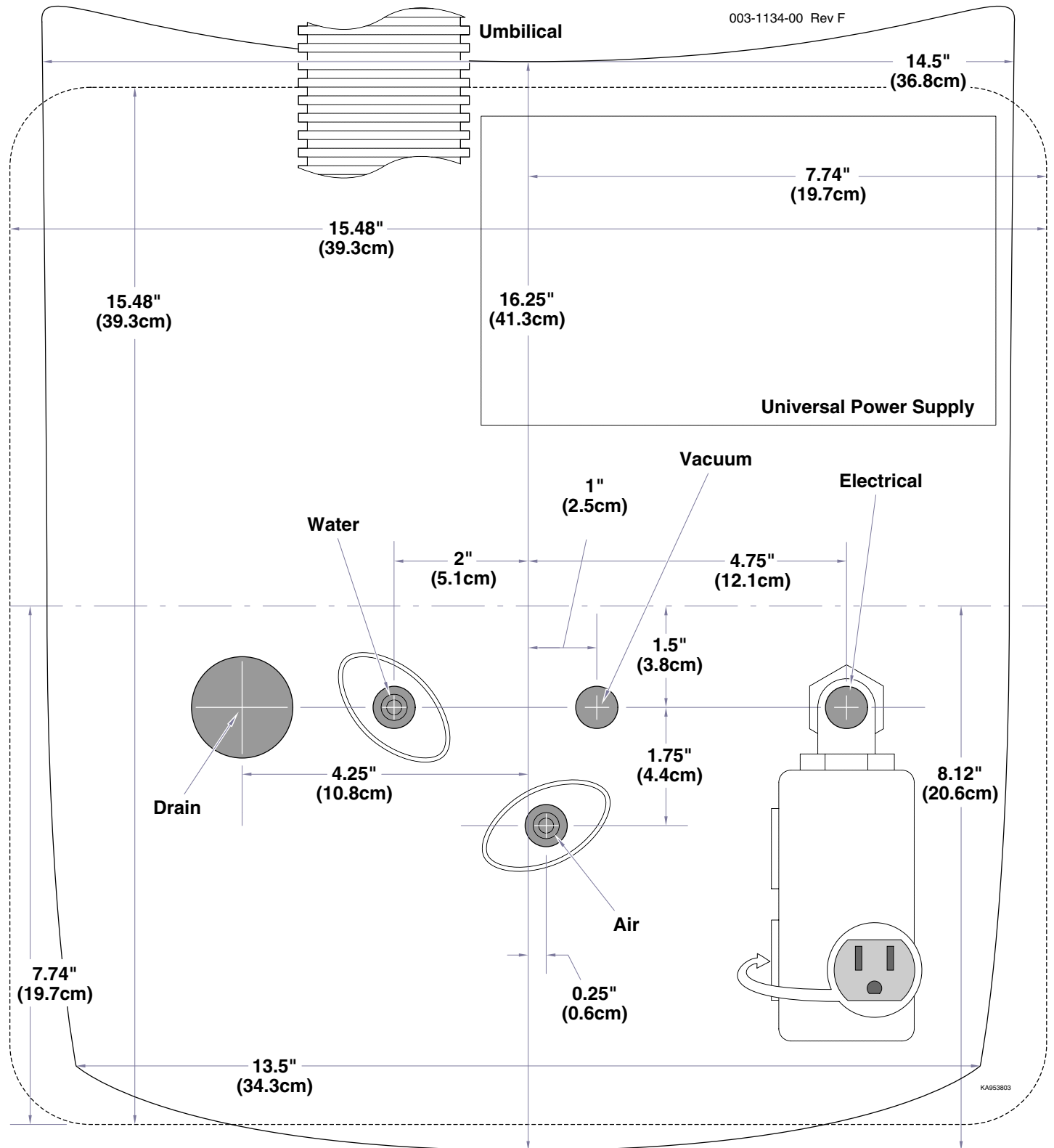
Place trap in line and vent to conform with local codes. [All hardware supplied by contractor].

Vacuum Requirements (optional)

Plumbing to junction box should be specified by central vacuum supplier and terminated in junction box with 5/8 in. (16 mm) O.D. tube protruding 1 in. (26 mm) above finished surface of floor.

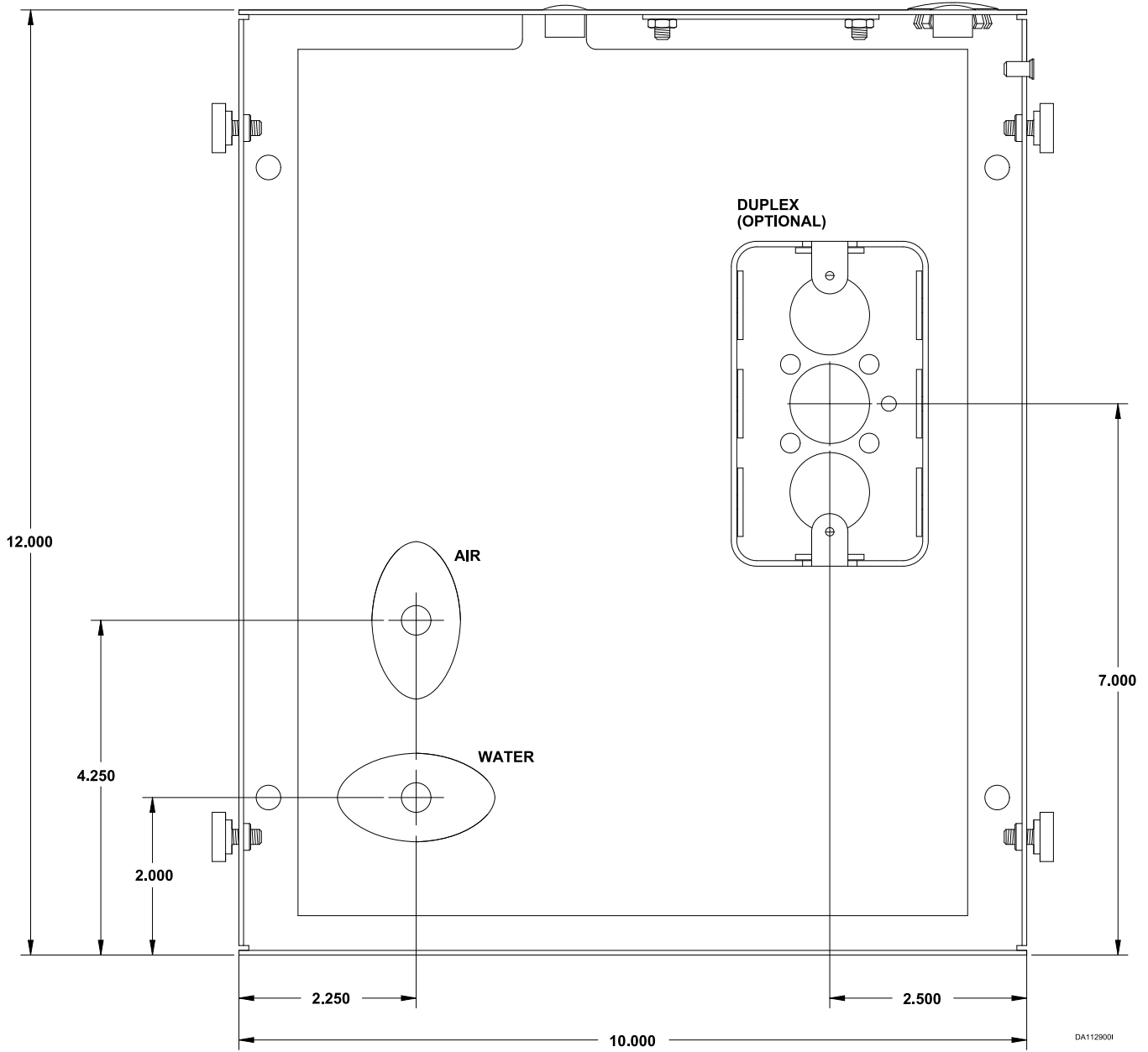
Large Junction Box

003-1134-00 Rev F



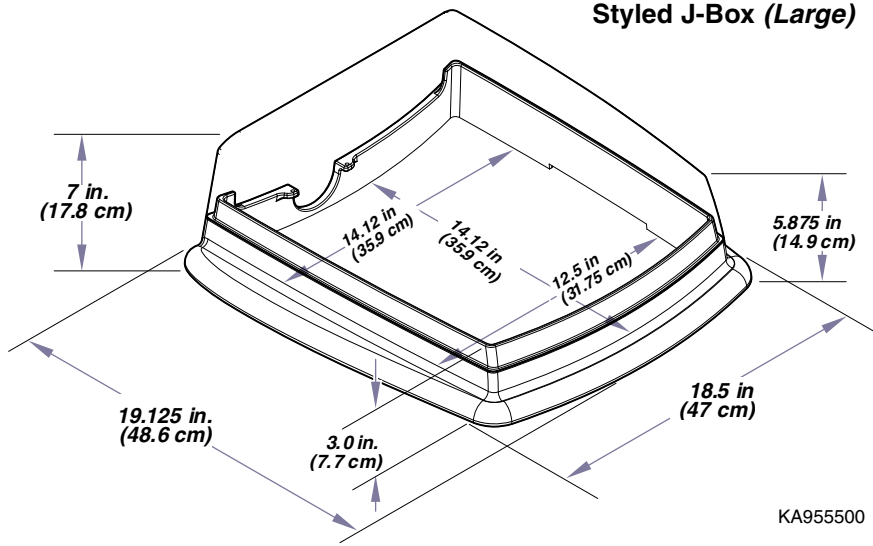
KA953803

Small Junction Box

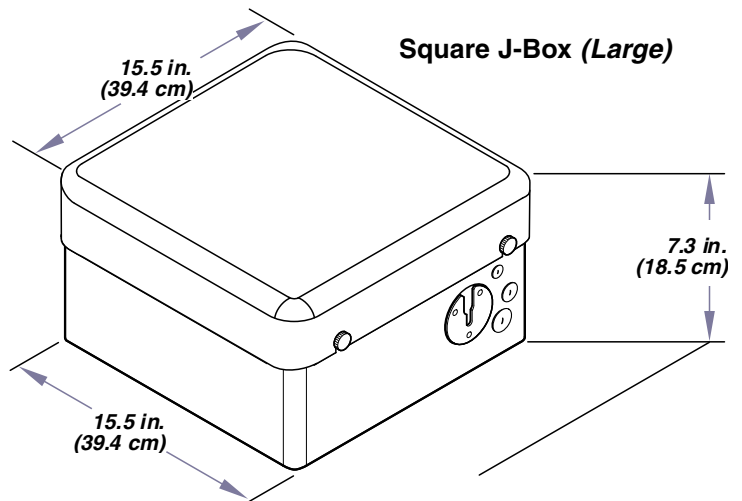


Junction Box Dimensions

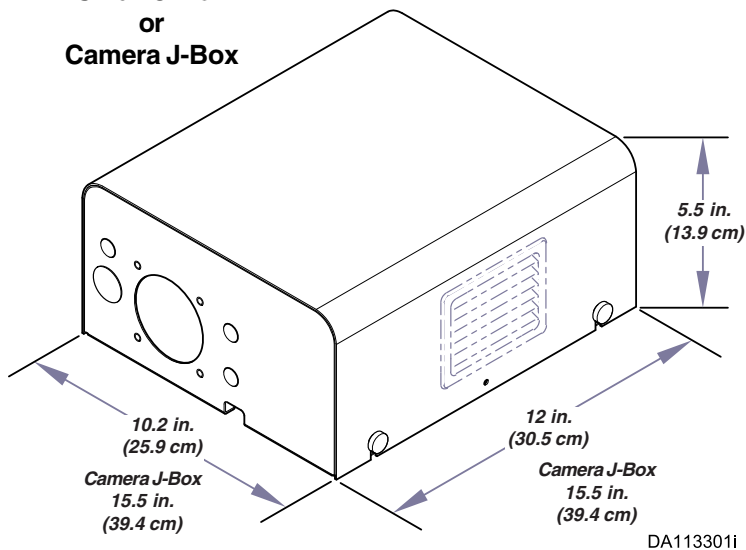
Styled J-Box (Large)



Square J-Box (Large)



**Small J-Box
or
Camera J-Box**



NOTE:
Camera J-Box has same dimensions as the Large Junction Box (page 2)