

Console Mtd. Procenter, Asepsis 21 or International (Whip) Delivery Unit Installation



Parts Bag Contents

- Stop Pins 2
- Bearing Washer 1
- Screws 3

Special Tools

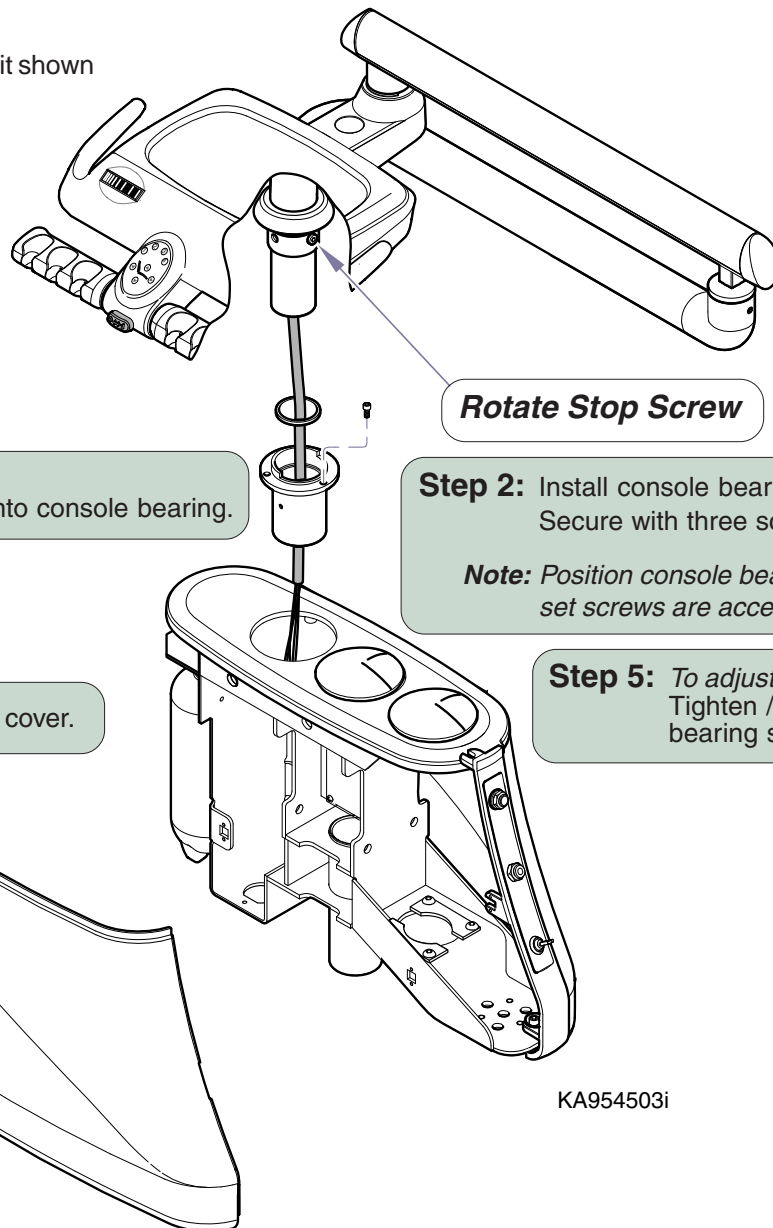
Level



Step 4: Rotate arm to verify proper operation.

For LH mtd. console only:
Move rotation stop screw to opposite hole.

Note: Procenter delivery unit shown



Step 3: Install bearing washer.
Insert mounting post into console bearing.

Step 2: Install console bearing.
Secure with three screws.

Note: Position console bearing so that set screws are accessible thru holes.

Step 1: Remove console side cover.

Step 5: To adjust rotational "drag":
Tighten / loosen console bearing set screws.

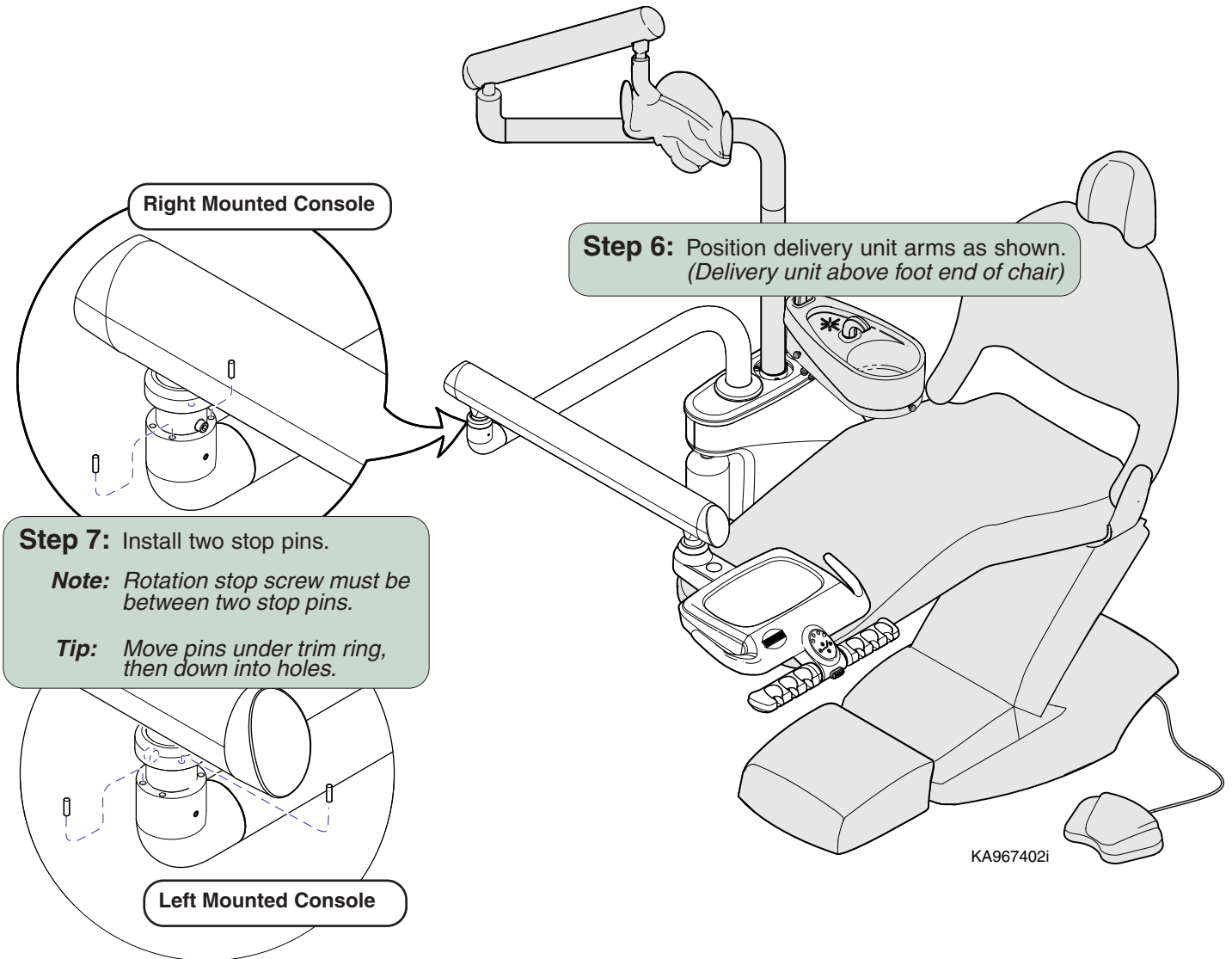
Rotate Stop Screw

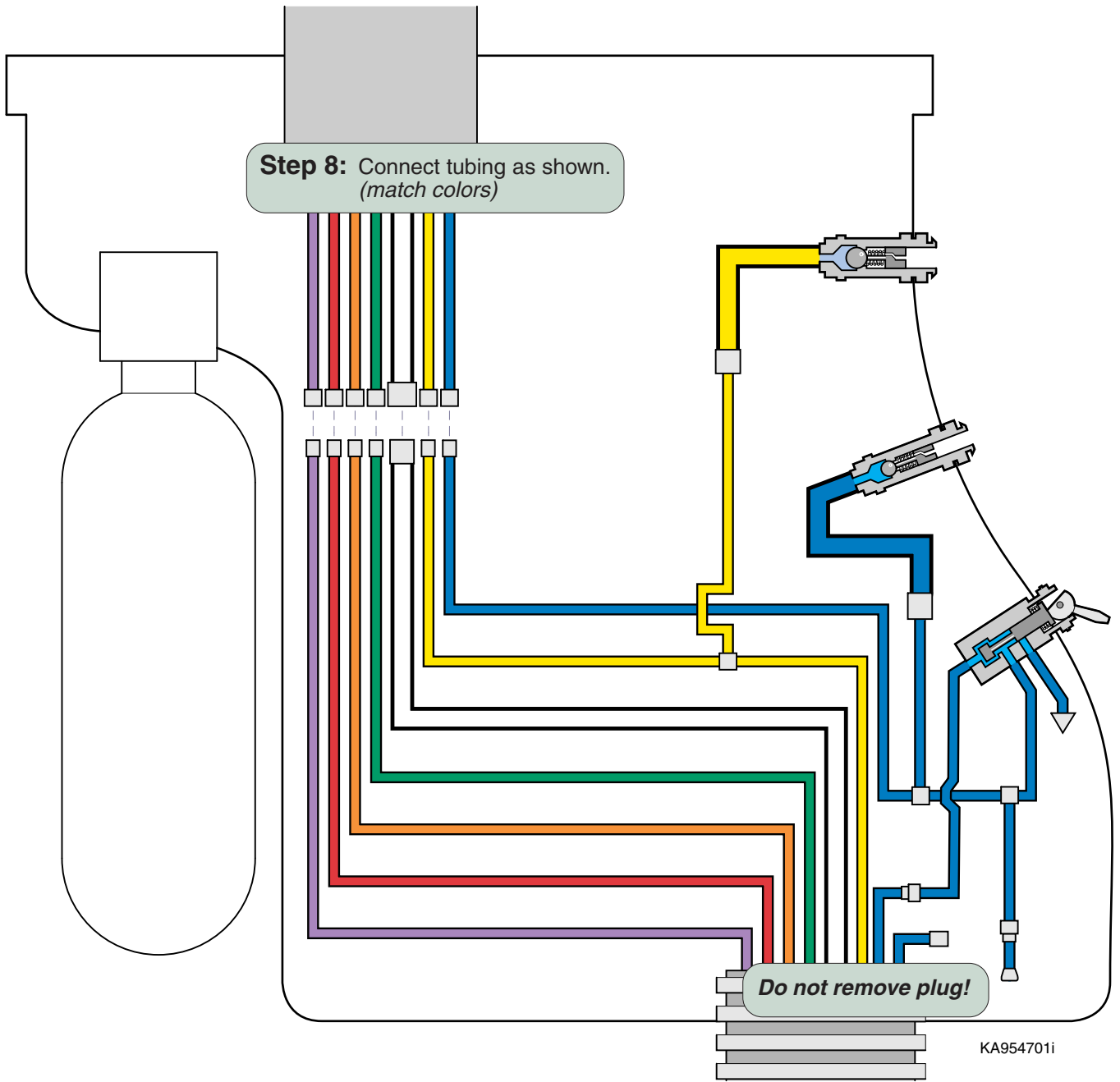
KA954503i



Equipment Alert

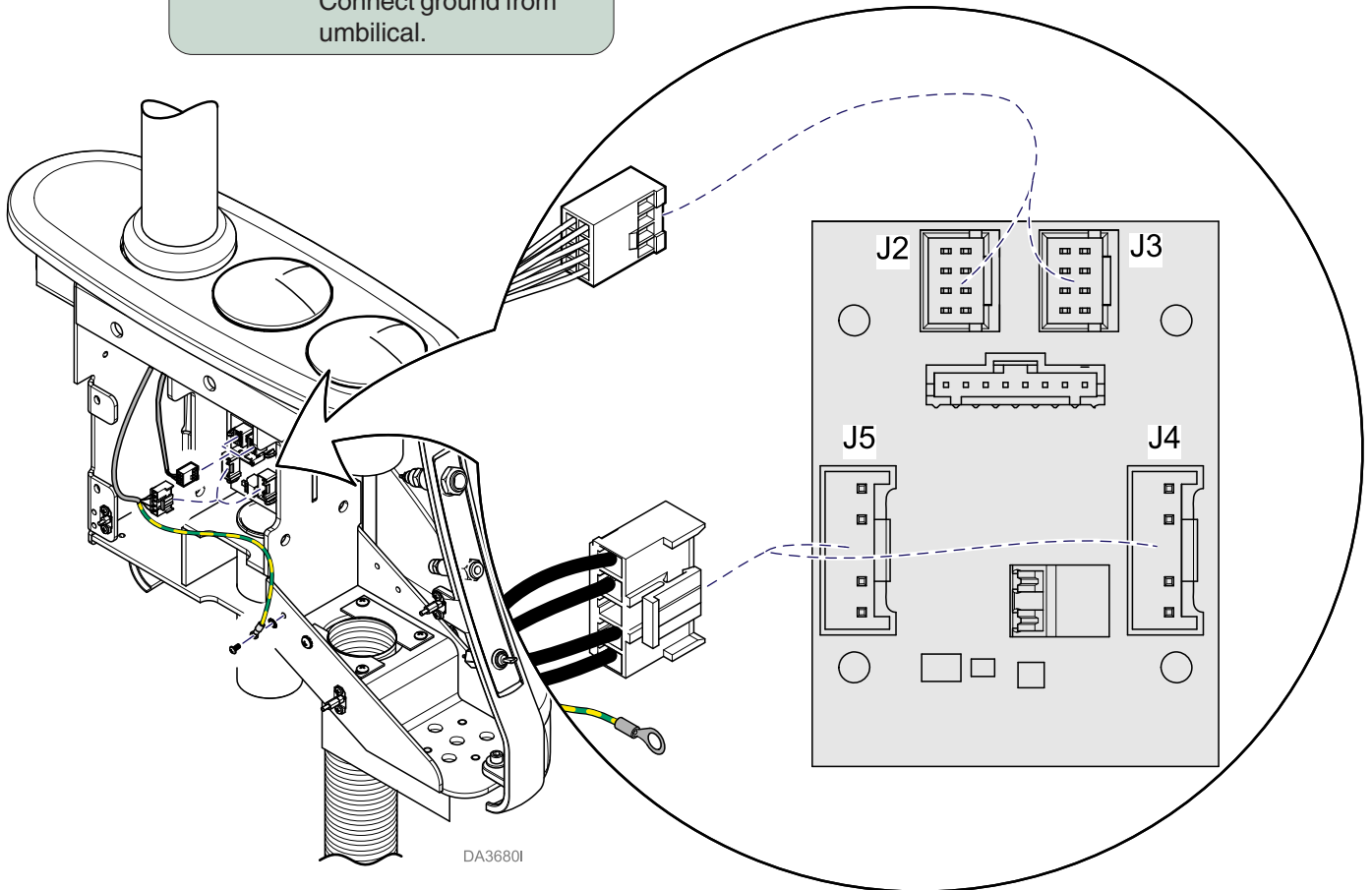
Stop pins must be installed correctly to ensure proper operation.





Chair Position Touch Pad

Step 9: Connect touch pad wire harness to J2 or J3 on PC Board. Connect ground from umbilical.



DA3680I

Accessories

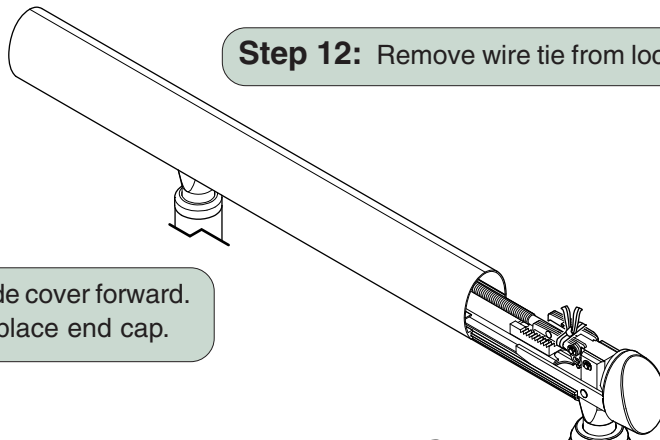
Step 10: Connect accessory wire harness to J4 or J5 on PC Board. Connect ground wire to console.

Note: Steps 11 - 13 apply to all delivery units. Steps 14 - 16 are Procenter delivery unit only.

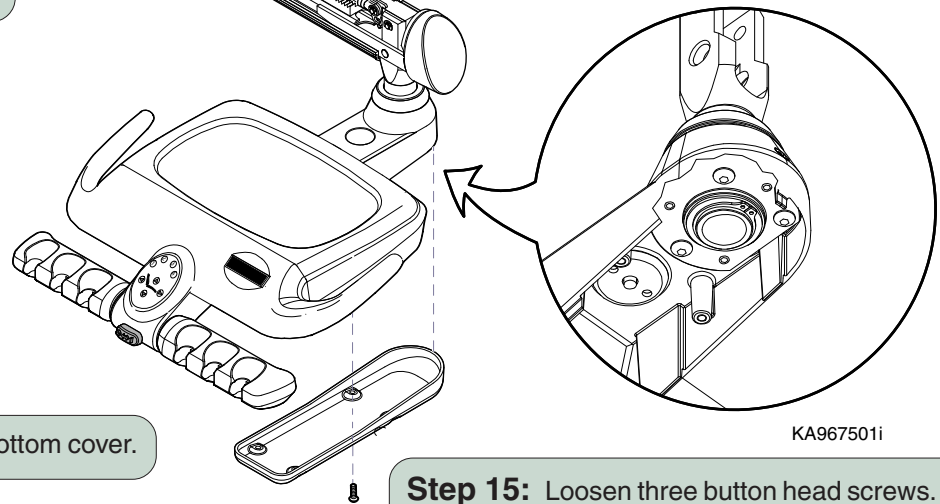
Step 11: Remove flex arm end cap.
Slide cover back.



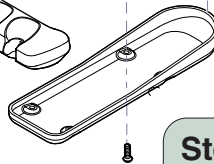
Step 12: Remove wire tie from lock pawls.



Step 13: Slide cover forward.
Replace end cap.



Step 14: Remove bottom cover.



Step 15: Loosen three button head screws.
Adjust three leveling screws to level unit.
Tighten three button head screws.

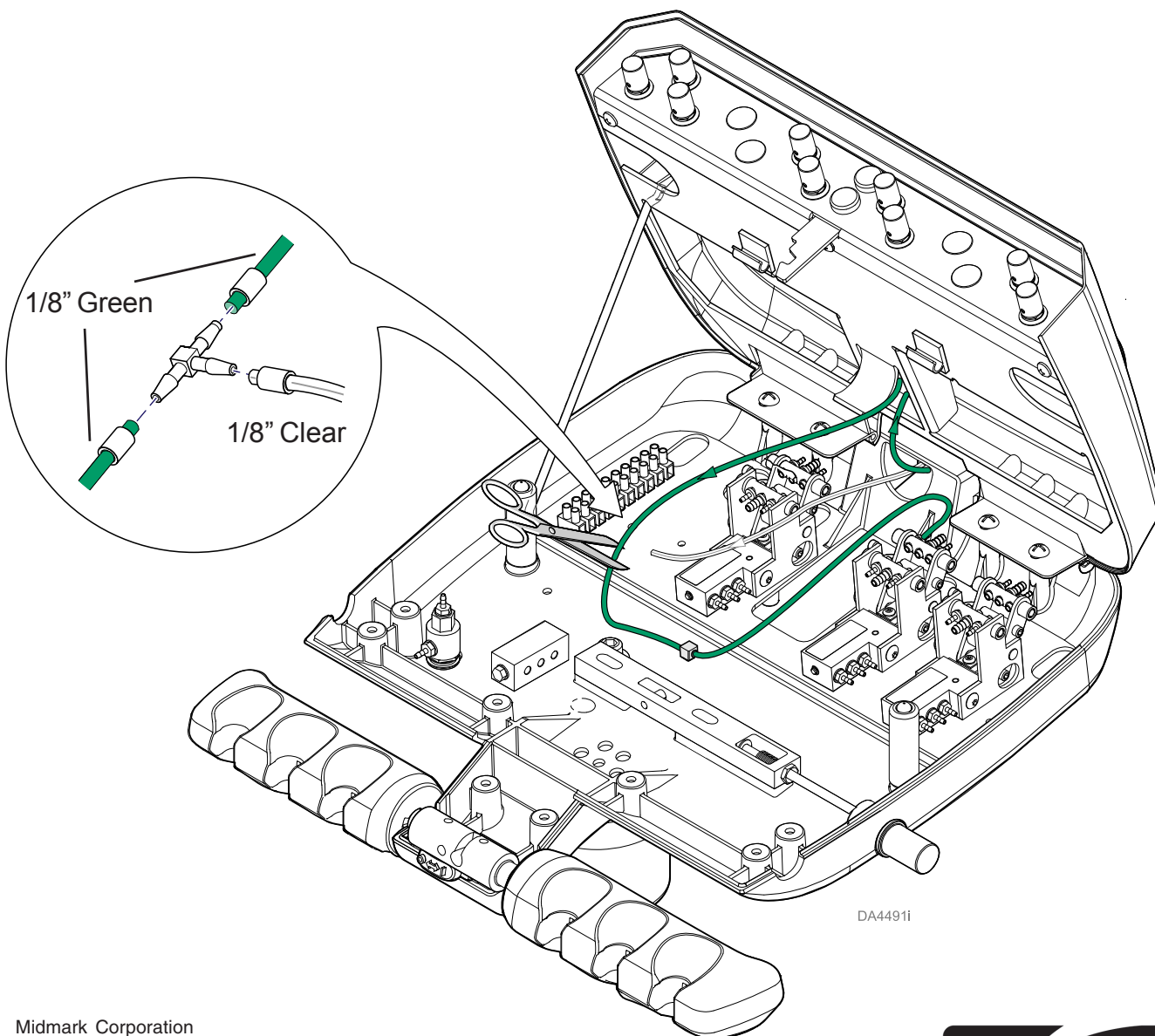
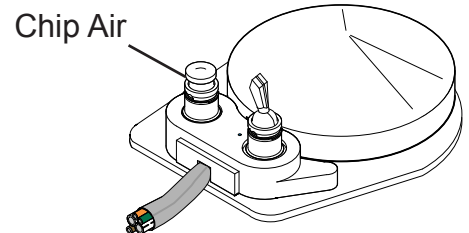
Step 16: Replace bottom cover.

For Units Having Deluxe Rheostat with Chip Air Foot Controls Only:

Make Chip Air Connection in Delivery Head.

- A) Cut green 1/8" Coolant Air Supply tubing.
- B) Locate clear 1/8" tubing coming into the unit head.
- C) Use barbed tee and sleeves to tee the 1/8" clear tubing into the 1/8" green coolant air tubing.

Deluxe Rheostat with Chip Air Foot Control



Midmark Corporation
60 Vista Drive
P.O. Box 286
Versailles, OH 45380-0286
937-526-3662
Fax 937-526-5542
www.midmark.com



Because we care.