

LR Assistant's Unit Installation

[Rear Mounted for Console Operator]

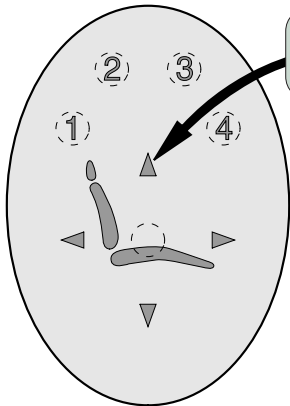


Parts Bag Contents

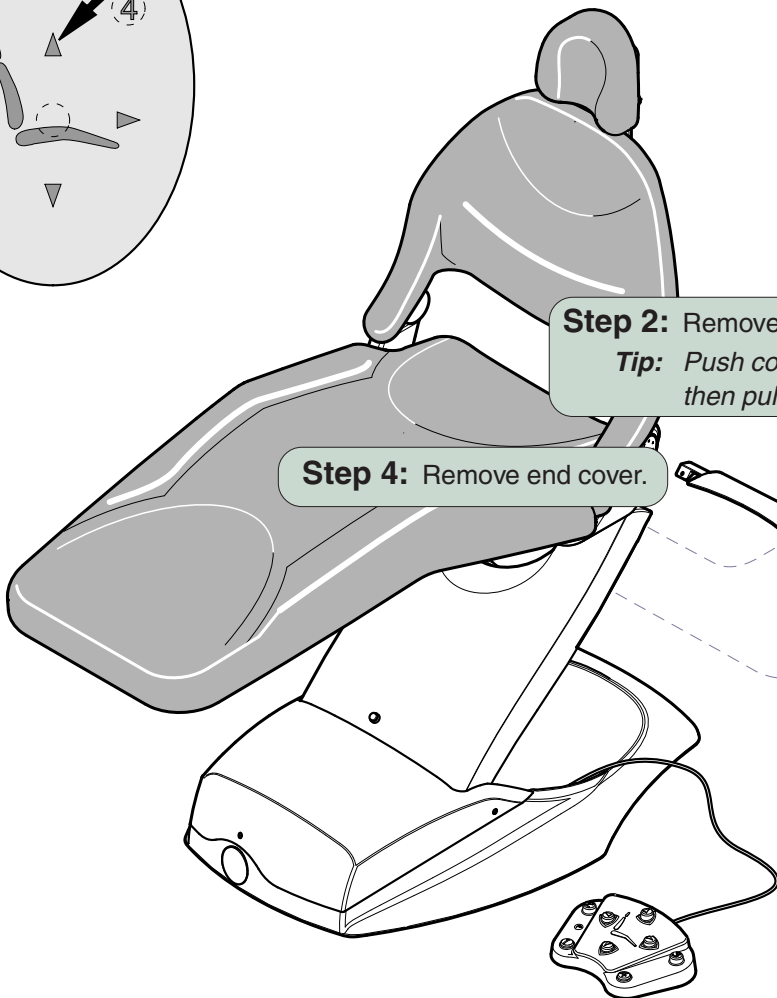
- T-Fitting w/tubing 1
- Screw 2
- Lockwasher 2
- Cable Tie 2
- Cap Sleeve (red) 1
- Toggle Cap (black) 1
- Water Q.D. Coupling ... 1

Special Tools

Level



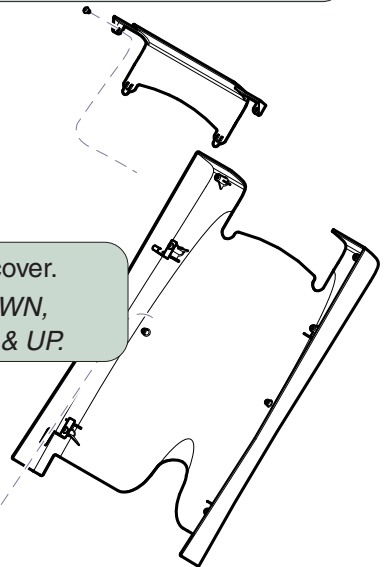
Step 1: Raise chair all the way up; then unplug the chair.



Step 4: Remove end cover.

Step 2: Remove safety bail cover.
Tip: Push cover IN & DOWN, then pull cover OUT & UP.

Step 3: Remove small cover.

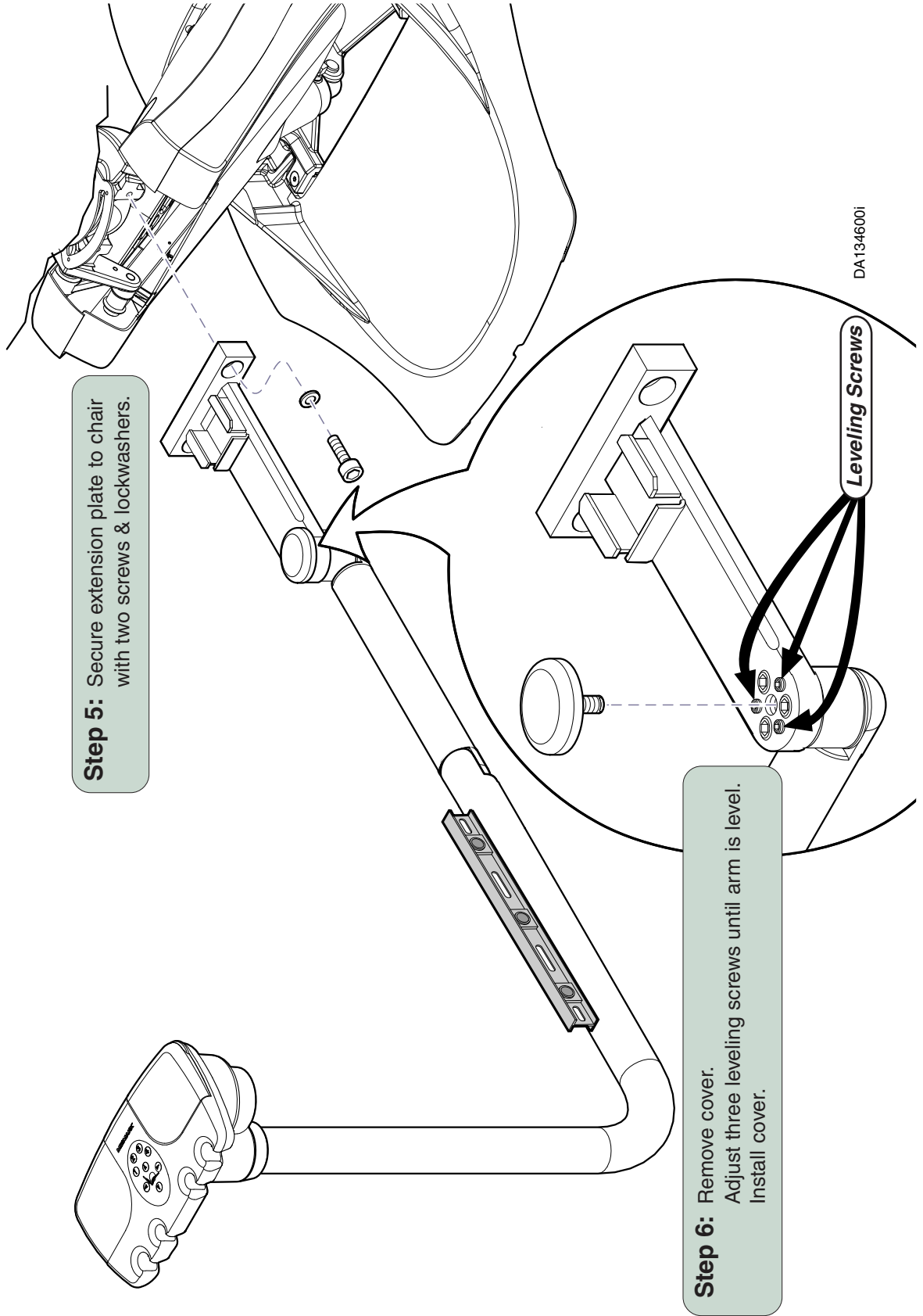


DA134500i

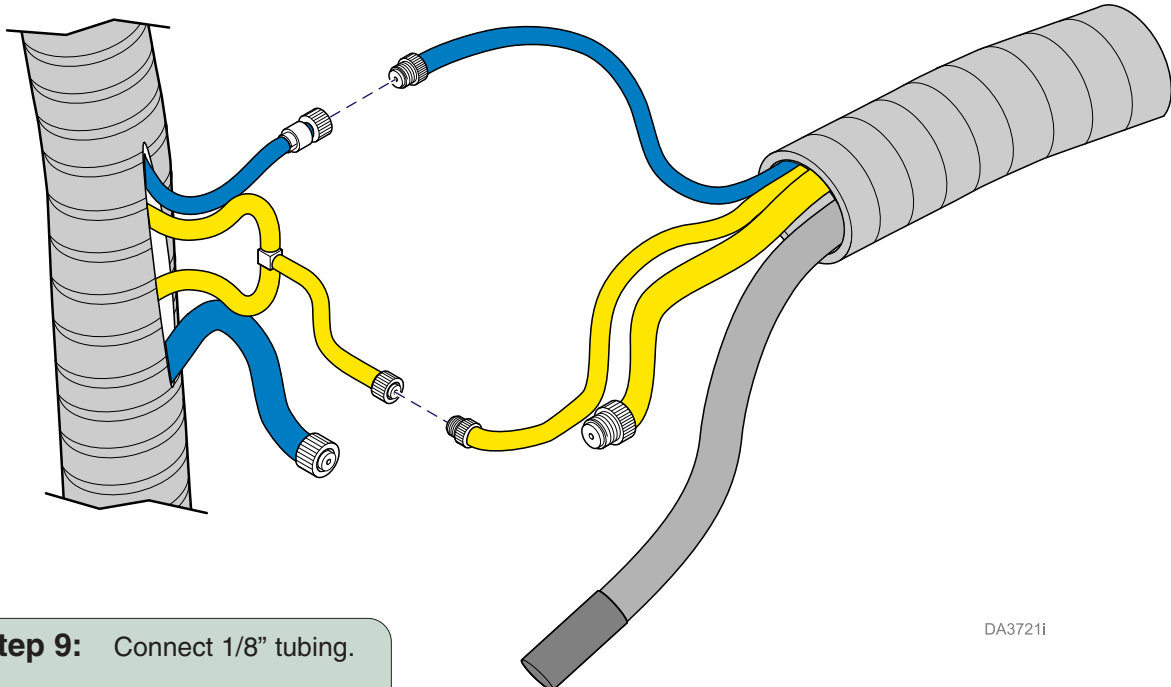
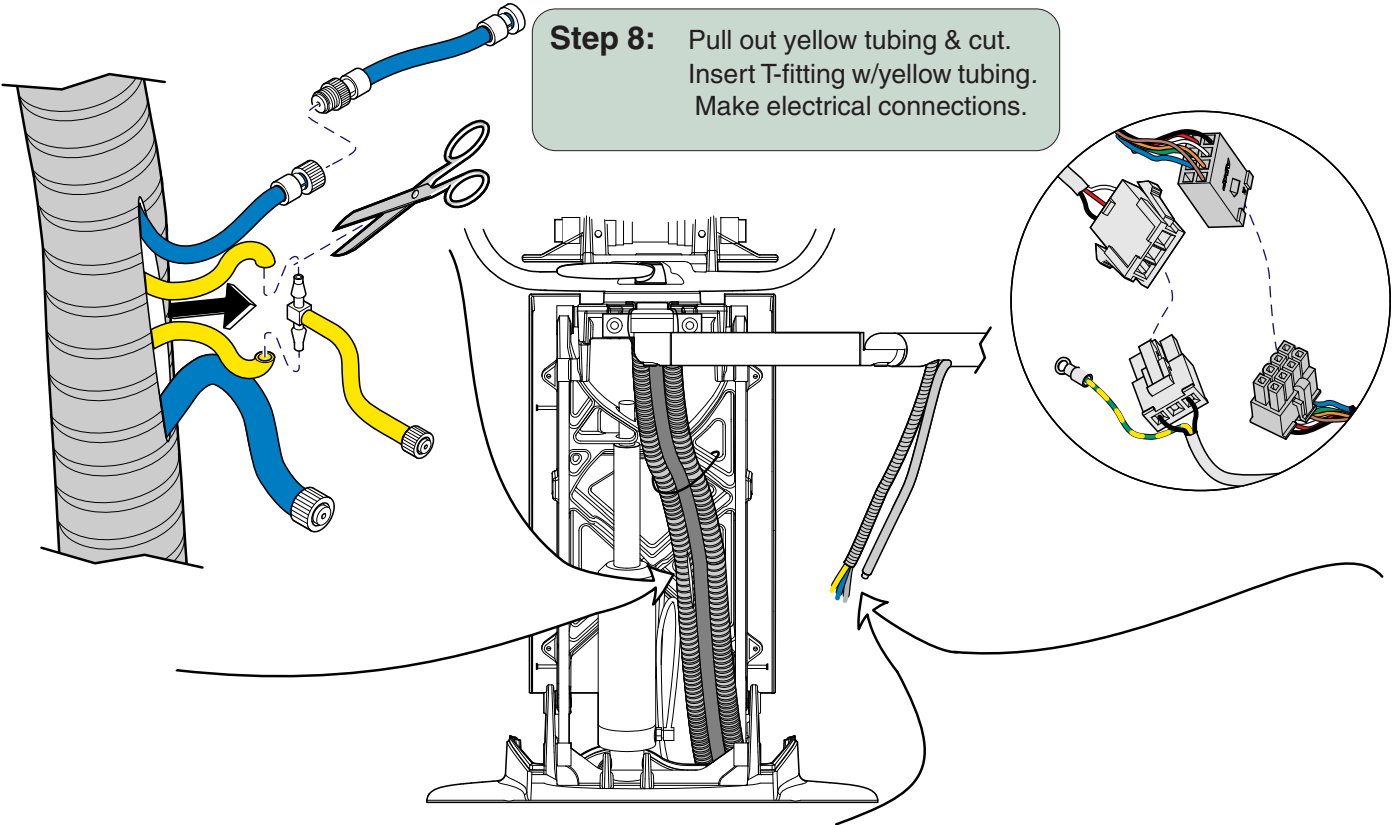


Equipment Alert

Have an assistant secure the instrument arm at all pivot points to prevent damage to equipment.



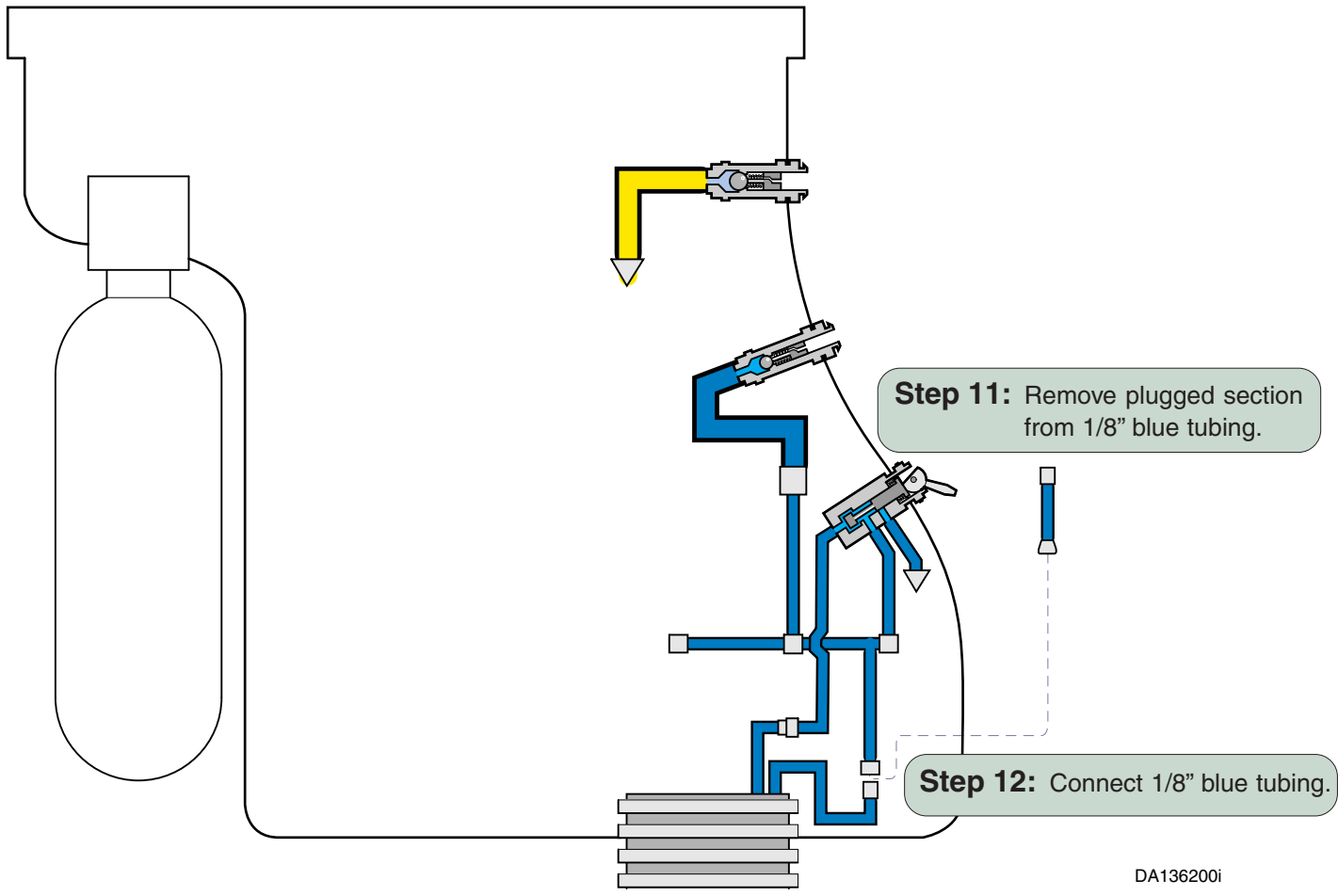
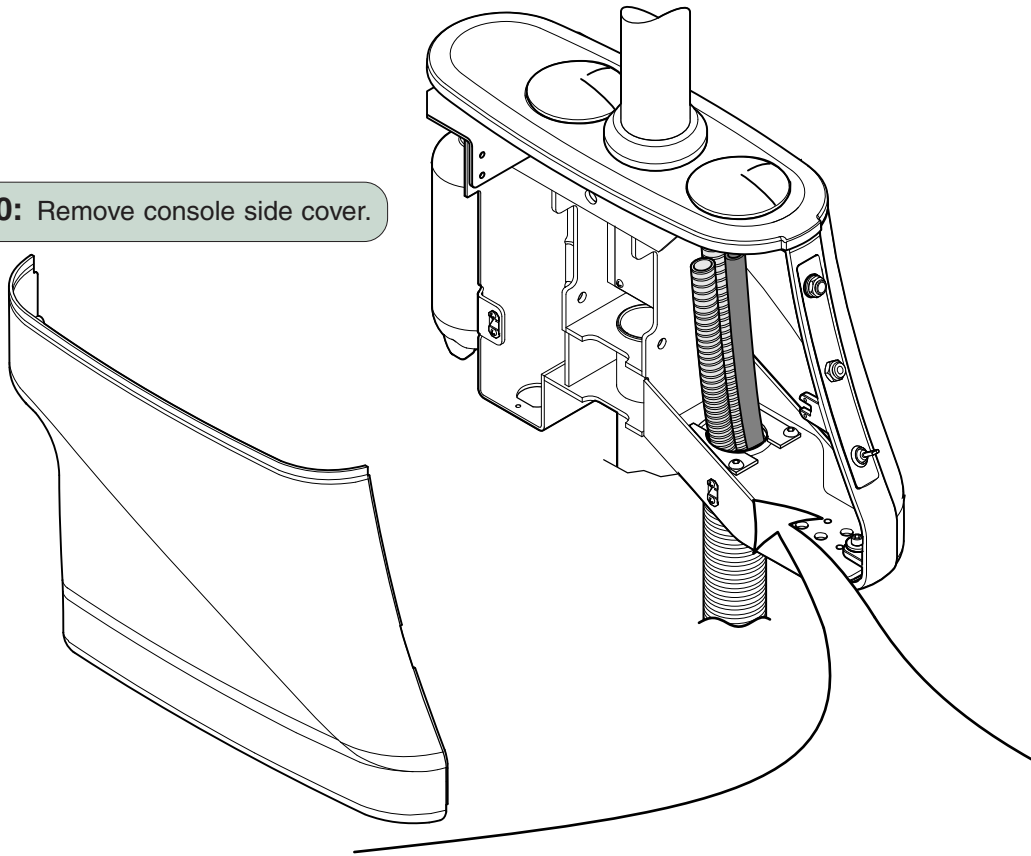
Step 7: Remove plugged section from 1/8" blue tubing.



Step 9: Connect 1/8" tubing.
Note: 1/4" tubing is not used.

DA3721i

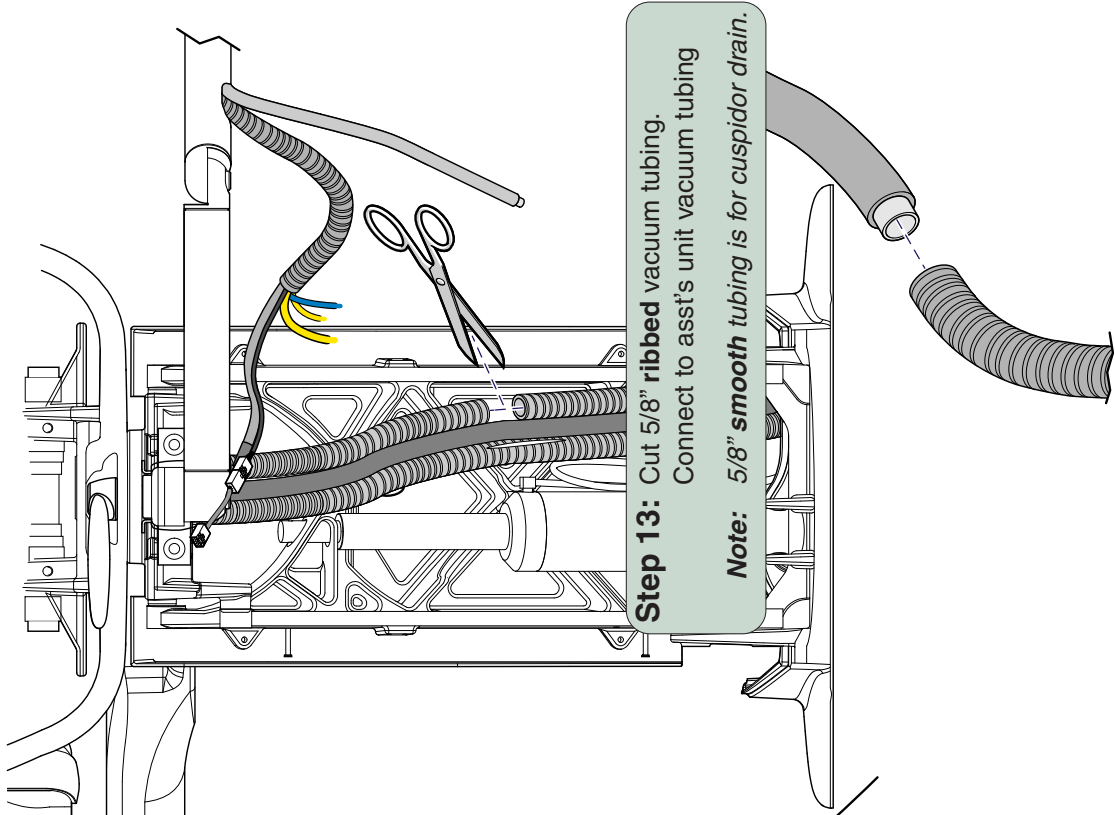
Step 10: Remove console side cover.



Step 11: Remove plugged section from 1/8" blue tubing.

Step 12: Connect 1/8" blue tubing.

DA136200i

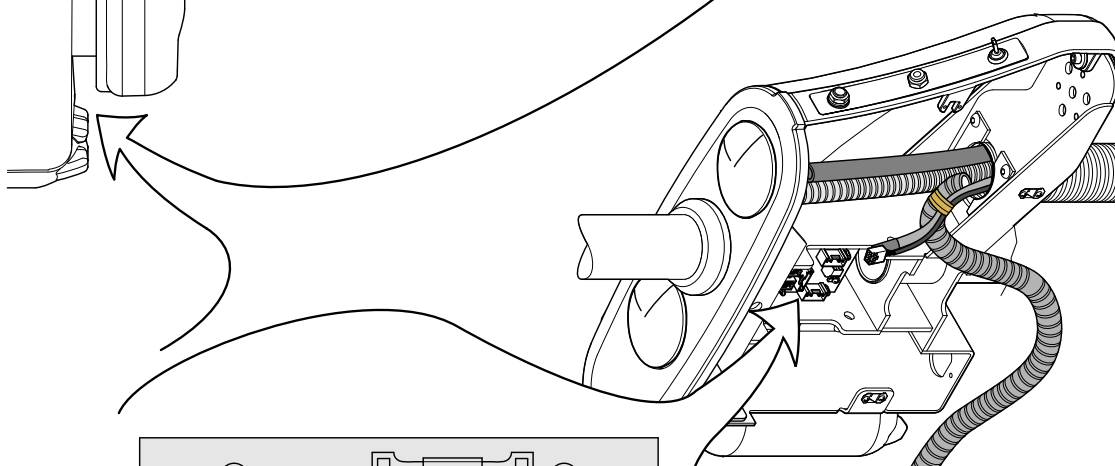


Step 13: Cut 5/8" ribbed vacuum tubing.
Connect to asst's unit vacuum tubing

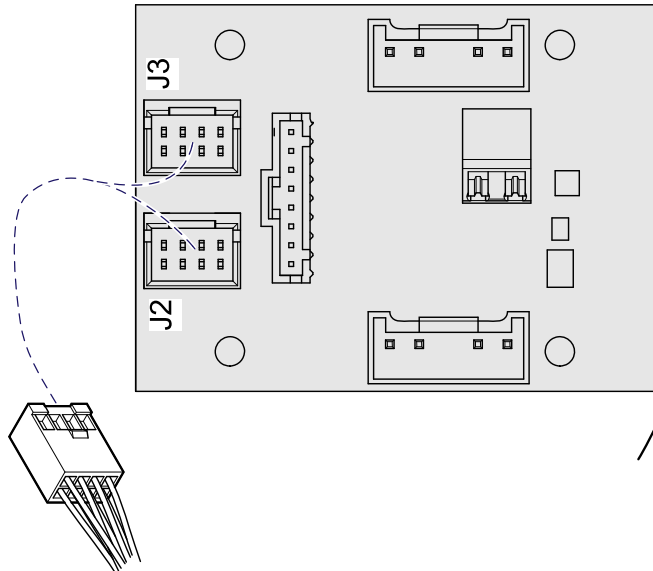
Note: 5/8" smooth tubing is for cuspidor drain.

DA3720i

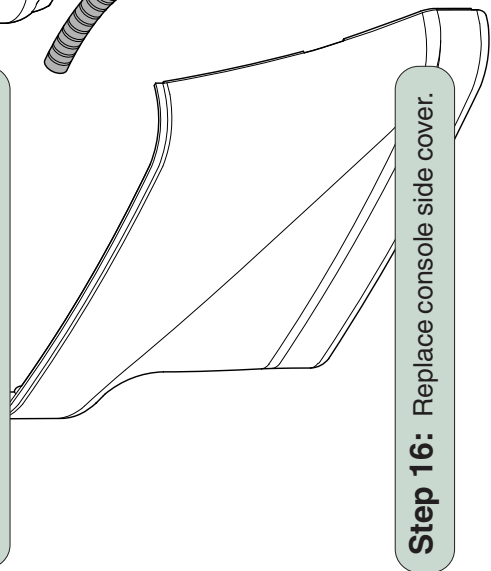
Step 14: Connect wiring and tubing. Use two or more ties to bundle wiring.



Step 14: Pull vacuum tubing out thru console.
Detach wire harnesses.
Discard vacuum tubing.

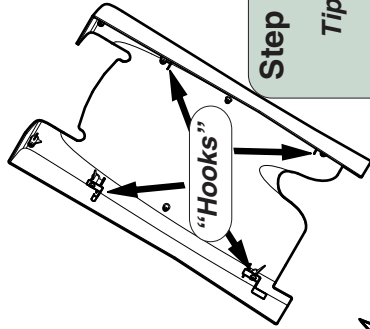
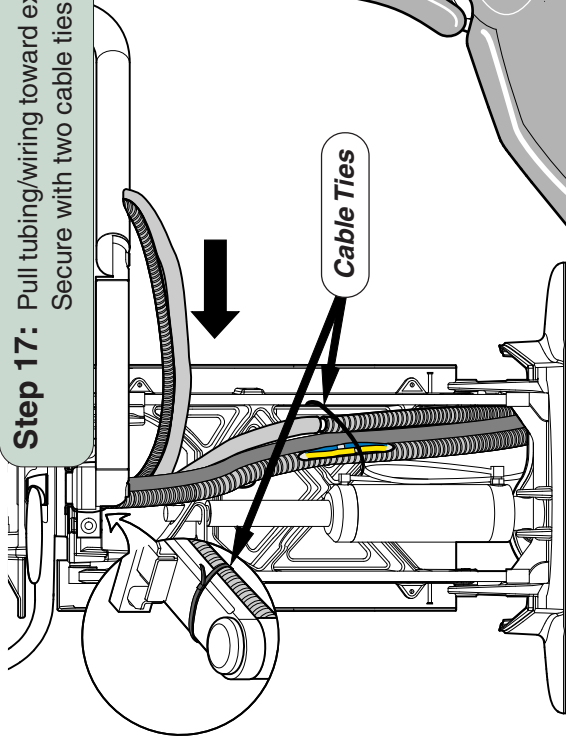


Chair Position Touch Pad
Step 15: Connect touch pad wire harness to J2 or J3 on PC B.



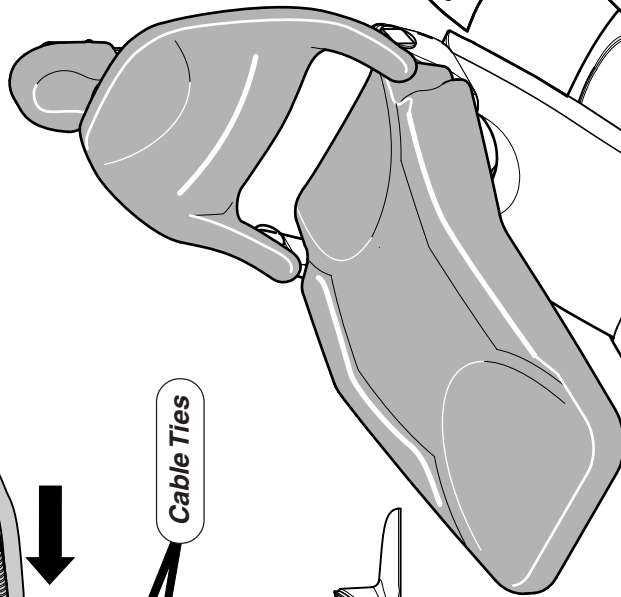
Step 16: Replace console side cover.

Step 17: Pull tubing/wiring toward extension plate to minimize slack. Secure with two cable ties.



Step 18: Install safety bail cover.

Tip: Position bottom "hooks" on lower mounting pins. Align top "hooks" with upper mounting pins. Push cover Down, In, then pull Upward until upper "hooks" engage.



Step 19: Slide extension plate cover over tabs.

Midmark Corporation
 60 Vista Drive
 P.O. Box 286
 Versailles, OH 45380-0286
 937-526-3662
 Fax 937-526-5542
 www.midmark.com

DA135200i

