

Procenter Cuspidor Installation

Procenter or Knight Console Mounted



Parts Bag Contents

(Supplied with Procenter Units only)

T-Fitting w/tubing 1

1/4" Barb Fitting 1

Special Tools

none

Step 1: Remove console side cover.

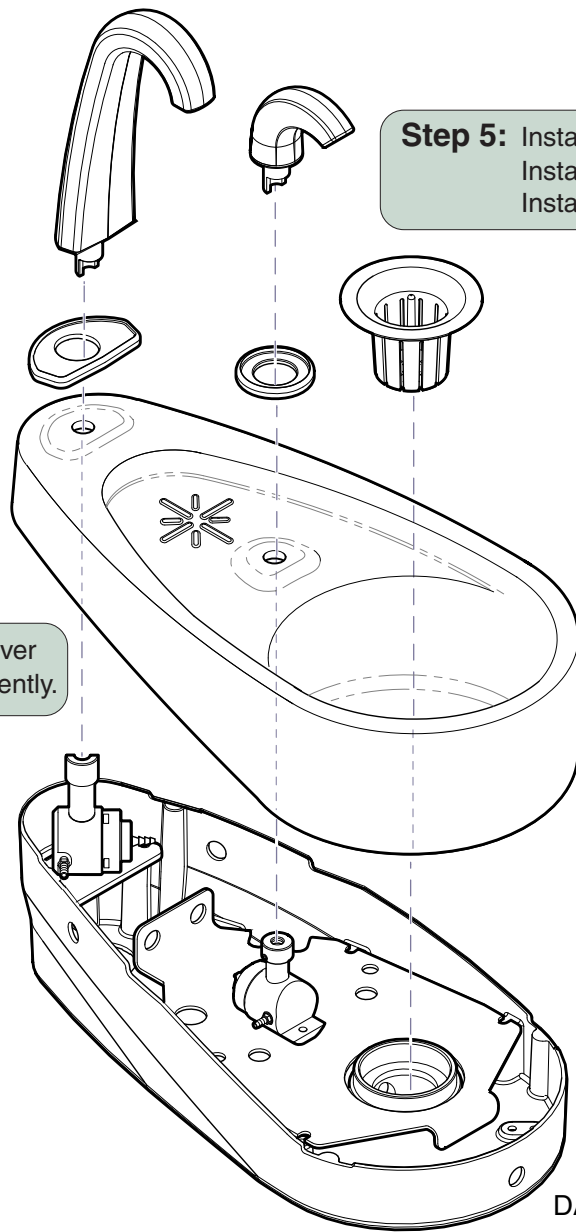
Step 2: Slide trim ring onto mounting post.
Slide mounting post into console bearing.

Step 3: Adjust "drag" (*tension when rotated*)
by tightening/loosening set screw.

Note
Procenter console shown.
The Knight Console /
Cuspidor has no electrical.



KA954403i

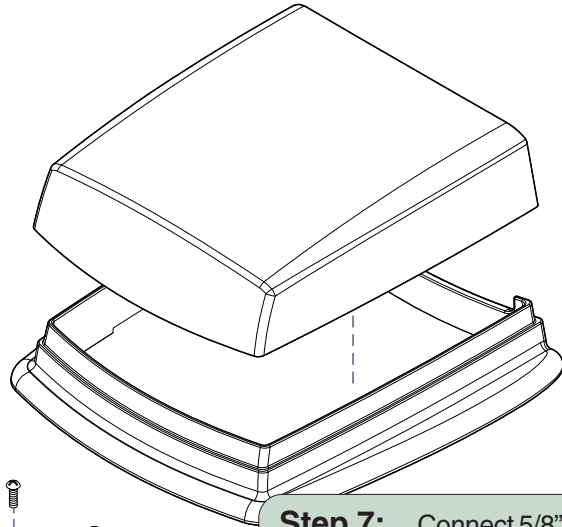
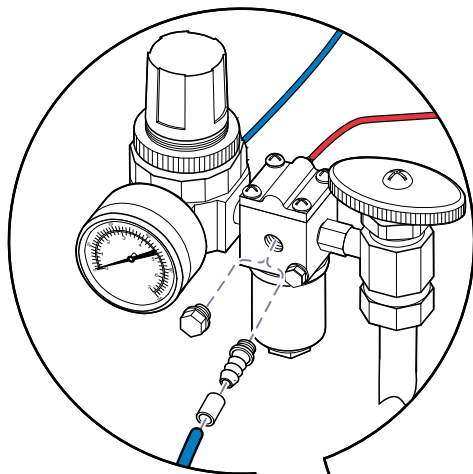


Step 5: Install faucet and gasket.
Install bowl flush spout and gasket.
Install gold trap.

Step 4: Position cuspidor bowl over
base then press down gently.

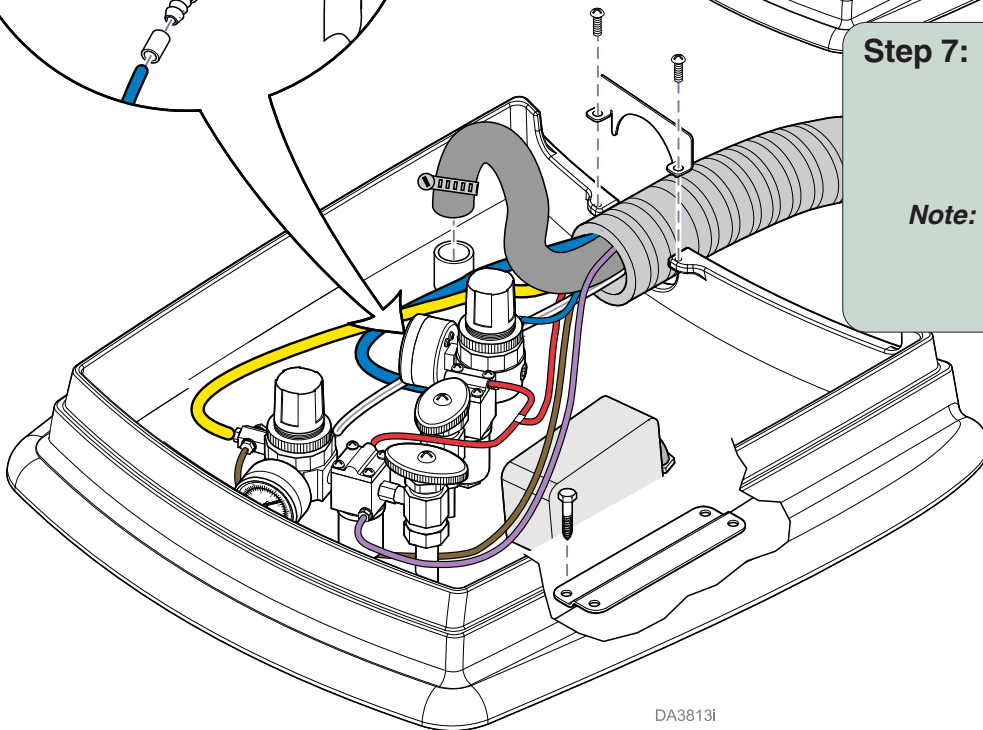
DA137300i

Step 6: Remove plug from water shut-off valve.
Install 1/4" barb fitting.
Connect 1/4" blue tubing from umbilical.



Step 7: Connect 5/8" smooth tubing from umbilical to facility drain.

Note: 5/8" ribbed tubing is for optional Assistant's Unit on Midmark Units only.



DA3813i



Caution

Connect ground wire to ensure system ground continuity.
Failure to do so may result in electric shock.

Note

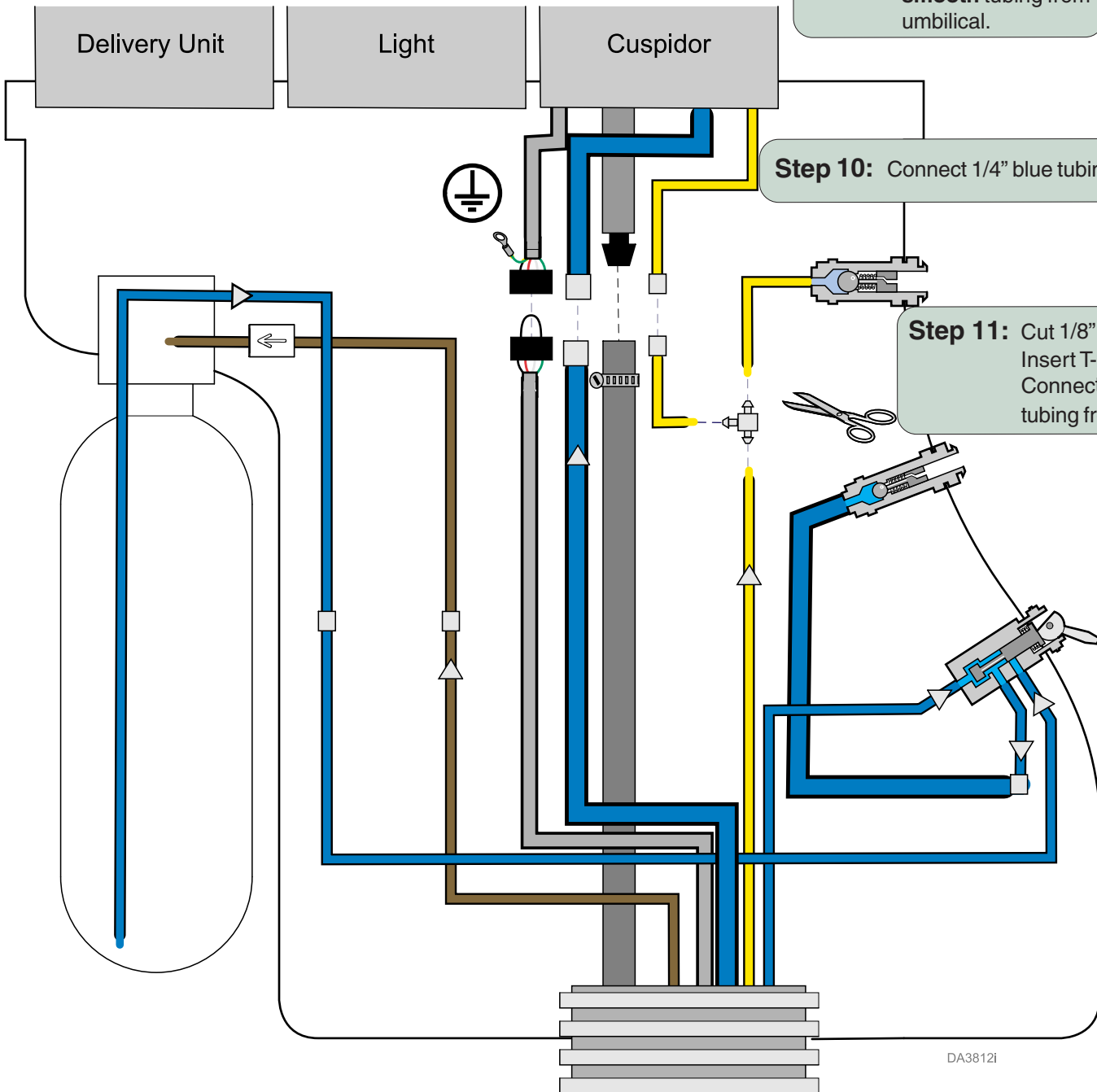
Procenter console shown. Knight Console / Cuspidor has no electrical connections.

Step 8: On Procenter Units,
Remove jumper wire.
Connect ground wire
and wire harness.

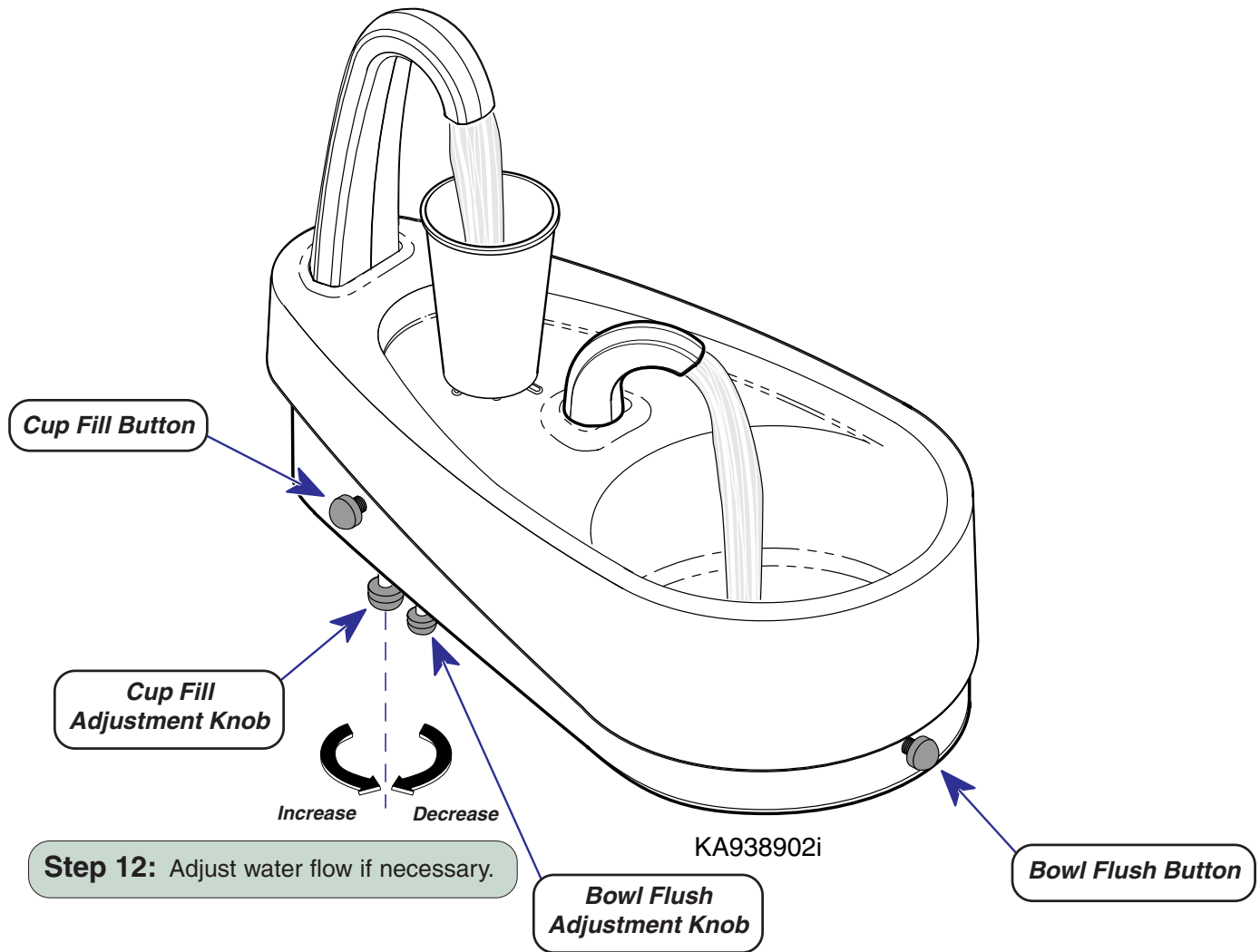
Step 9: Connect drain tube
from cuspidor to 5/8"
smooth tubing from
umbilical.

Step 10: Connect 1/4" blue tubing.

Step 11: Cut 1/8" yellow tubing.
Insert T-fitting w/tubing.
Connect to 1/8" yellow
tubing from cuspidor.



DA3812i



Midmark Corporation
 60 Vista Drive
 P.O. Box 286
 Versailles, OH 45380-0286
 937-526-3662
 Fax 937-526-5542
 www.midmark.com



Because we care.