

Procenter Console Installation Guide

CONTENTS

Unpacking	1
Console Installation.....	1
Tubing Connections	2
Electrical Connections	3
Cover Installation.....	4
Torque Specifications.....	4
Transportation / Storage Conditions	4

UNPACKING



EQUIPMENT ALERT

To avoid damage, do not use a knife or sharp object to open packaging.

- (1) Carefully remove all enclosed components from packaging and inspect for shipping damage. If damage is apparent, file a Concealed Damage Report with the carrier.

CONSOLE INSTALLATION

- (1) Remove two console side covers by pulling outward.

NOTE

Verify desired position of console (left or right side of chair) with proper personnel prior to Step 2.

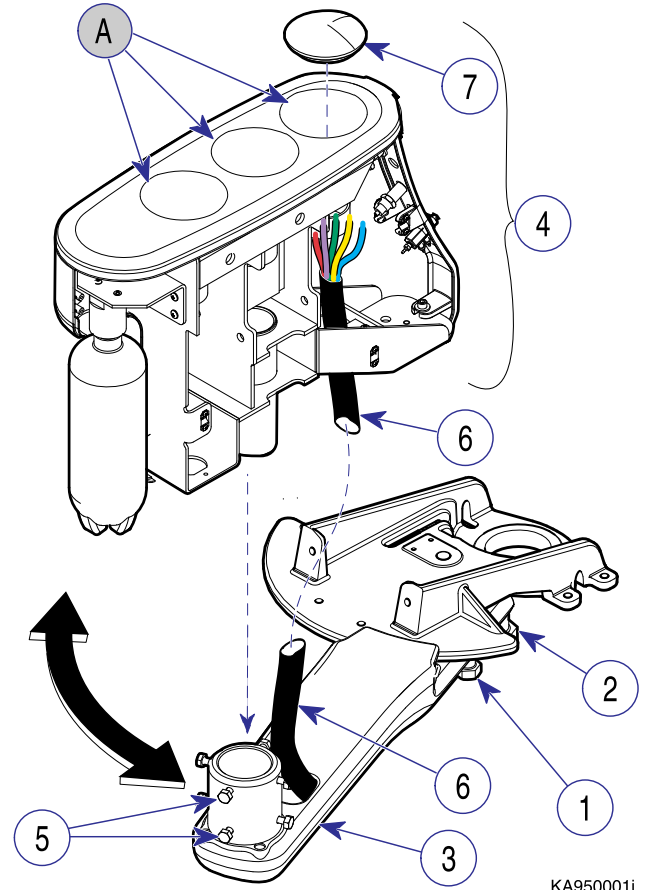
- (2) Loosen two small hex bolts (1, Figure 1) and one large hex bolt (2) [**located under chair seat**].
- (3) Rotate mounting bracket (3) to desired position; then tighten two small hex bolts (1) and large hex bolt (2).



EQUIPMENT ALERT

Be sure umbilical/wiring harness is not pinched when installing console onto mounting bracket.

- (4) Install console (4) onto mounting bracket (3) and position as desired.



KA950001i

Figure 1. Console Installation

- (5) Adjust console (4) to ensure it is level; then tighten eight screws (5).
- (6) Route umbilical/wiring harness (6) up thru bottom of console (4).
- (7) Install hole plugs (7) in any mounting holes (A) that will not be used.

TUBING CONNECTIONS

In Console:

Air To Water Bottle

- (1) Connect 1/8 in. brown tubing (Figure 2) [from umbilical] to 1/8 in. brown tubing from bottle cap.

City Water To Toggle Valve

- (2) Connect 1/8 in. blue tubing [from toggle valve] to 1/8 in. blue tubing [from umbilical] with connector.

NOTE

There are two pieces of 1/8 in. blue tubing [from umbilical]. Use the piece with the (male/female) connector that corresponds to the 1/8 in. blue tubing [from toggle valve].

The unused 1/8 in. blue tubing [from umbilical] and the plugged 1/8 in. blue tubing [from toggle valve] are used for assistant's instruments and will be connected (if required) in a later procedure.

Do not remove plug from 1/8 in. blue tubing at this time.

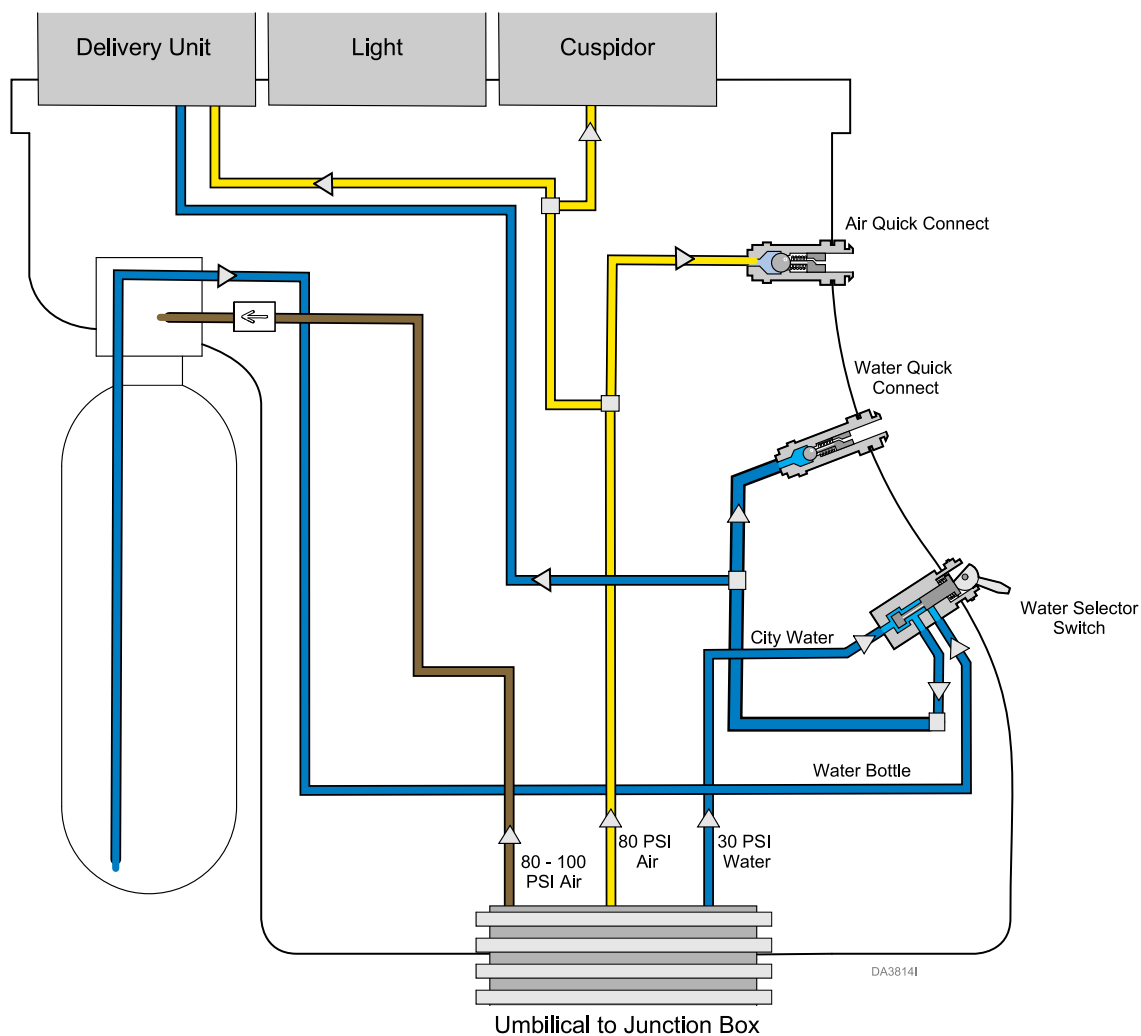


Figure 2. Tubing Connections

ELECTRICAL CONNECTIONS

Power to Console

- (1) Confirm jumper connection [from umbilical] to J4 or J5 connector on PC board. Connect ground to console.

NOTE

External umbilicals (not routed through chair) do not contain wiring harness.

Chair Position Touch Pad

- (2) Connect wiring harness [from umbilical] to J1 connector on PC board.

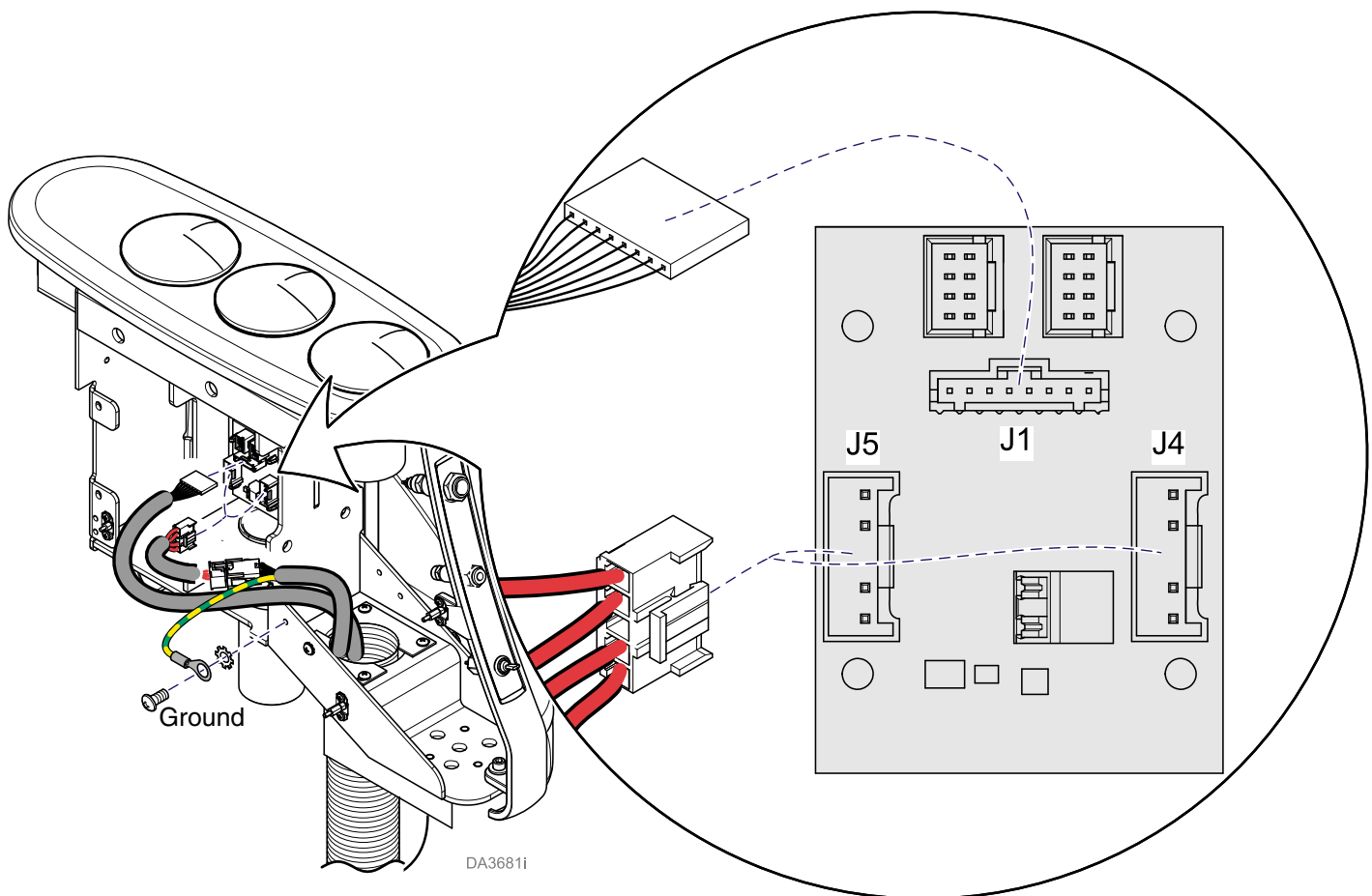


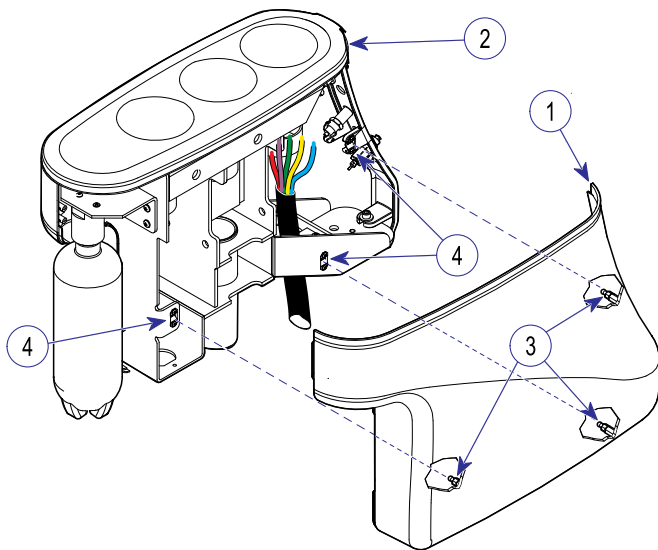
Figure 3. Electrical Connections

COVER INSTALLATION

NOTE

If installing a delivery system, light, cuspidor, and/or assistant's instruments, it will be necessary to make connections inside the console. Do not install console covers until entire installation is complete.

- (1)** Slide lip of console cover (1, Figure 4) under top cover (2); then align three ball studs (3) on console cover with three stud fasteners (4) on console frame.
- (2)** Push gently inward on cover until it snaps into place.
- (3)** Repeat for other console cover.



KA949900

Figure 4. Cover Installation

TORQUE SPECIFICATIONS

Torque specifications apply to hardware used on components unless otherwise noted in these installation instructions:

Torque Specifications

Hardware Size	Torque Values
#6	11 to 21 inch / lbs. (1.2 to 2.3 N•m)
#8	20 to 30 inch / lbs. (2.2 to 3.3 N•m)
#10	32 to 42 inch / lbs. (3.6 to 4.8 N•m)
1/4 inch	75 to 85 inch / lbs. (8.5 to 9.6 N•m)
5/16 inch	18 to 22 ft. / lbs. (24.4 to 29.8 N•m)
3/8 inch	31 to 35 ft. / lbs. (42.0 to 47.5 N•m)
1/2 inch	50 to 60 ft. / lbs. (67.8 to 81.4 N•m)

TRANSPORTATION / STORAGE CONDITIONS

- Ambient Temperature Range:.....-22°F to 140°F (-30°C to 60°F)
- Relative Humidity..... 10% to 90% (non-condensing)
- Atmospheric Pressure500hPa to 1060 hPa (0.49atm to 1.05atm)