

Assistant's Unit Installation

[Console Mounted]

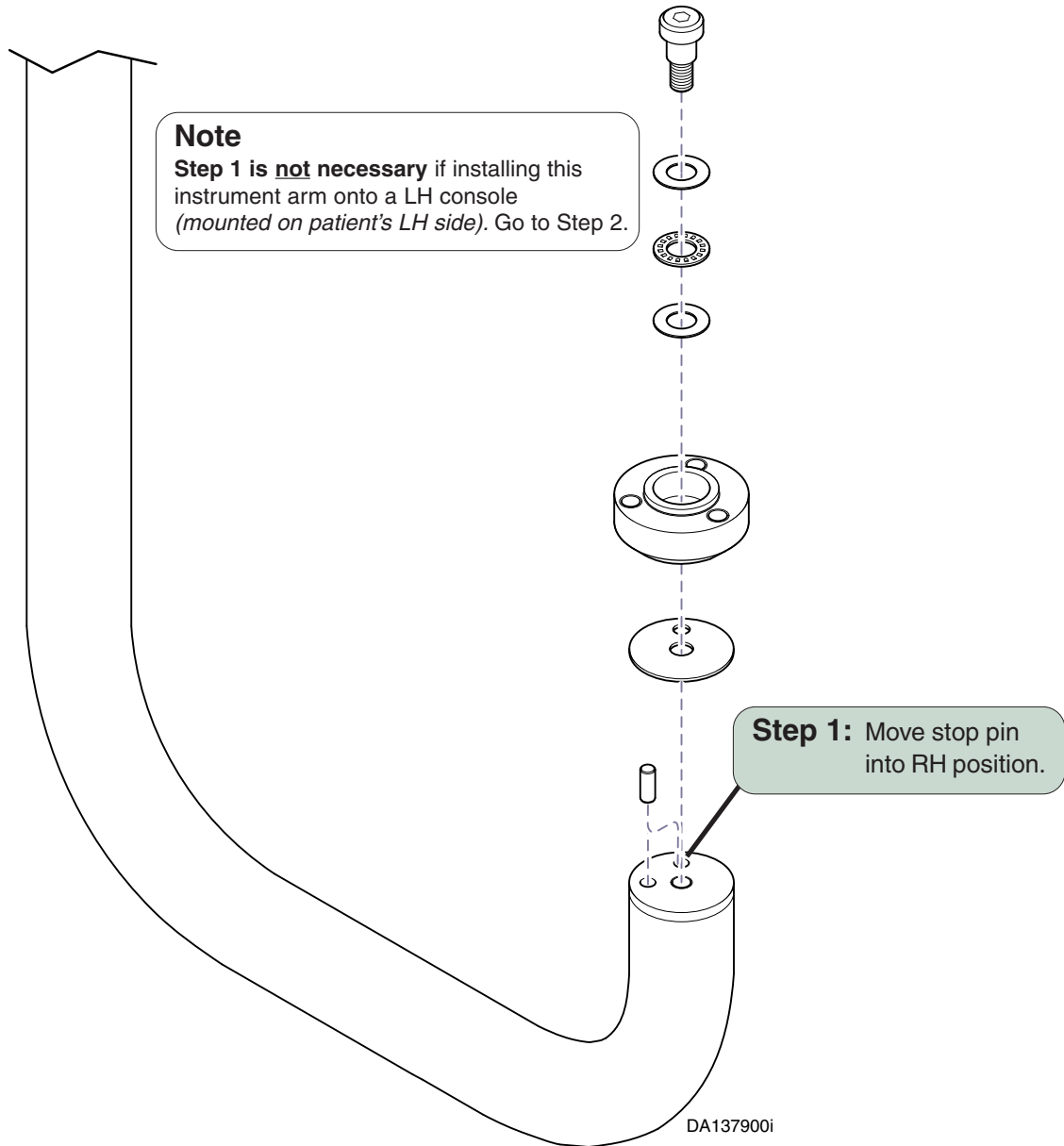


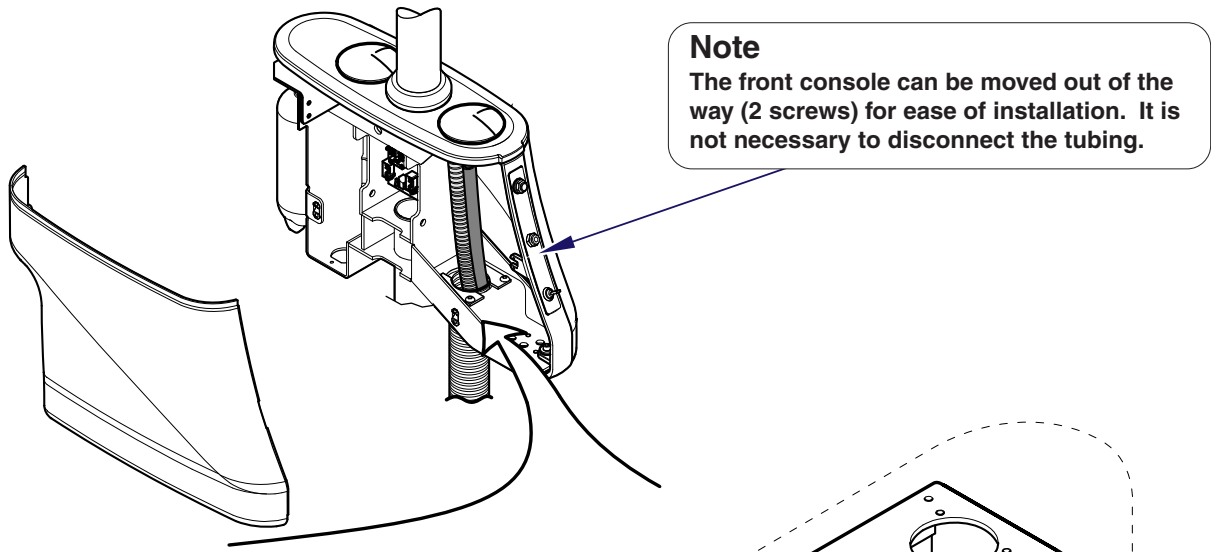
Parts Bag Contents

- T-Fitting w/tubing 1
- Screw 3
- Set Screw 3
- Sleeve Cap (red) 1
- Toggle Cap (black) 1
- Water Q.D. Coupling ... 1

Special Tools

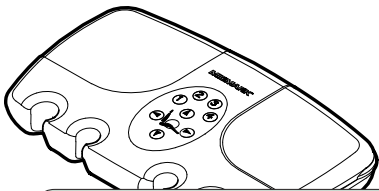
Level



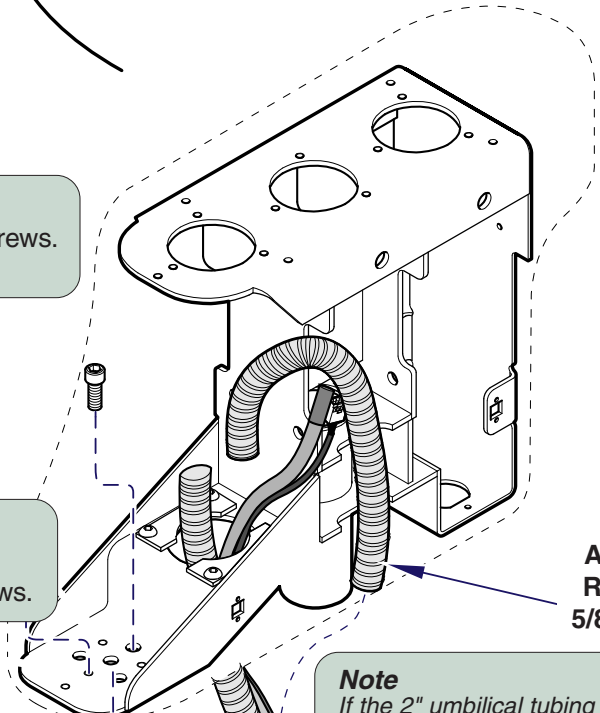


Note
The front console can be moved out of the way (2 screws) for ease of installation. It is not necessary to disconnect the tubing.

Step 3: Position arm as shown. Install three mounting screws. Do *not* tighten screws.



Step 4: Install three leveling screws. Level arm. Tighten three mounting screws.



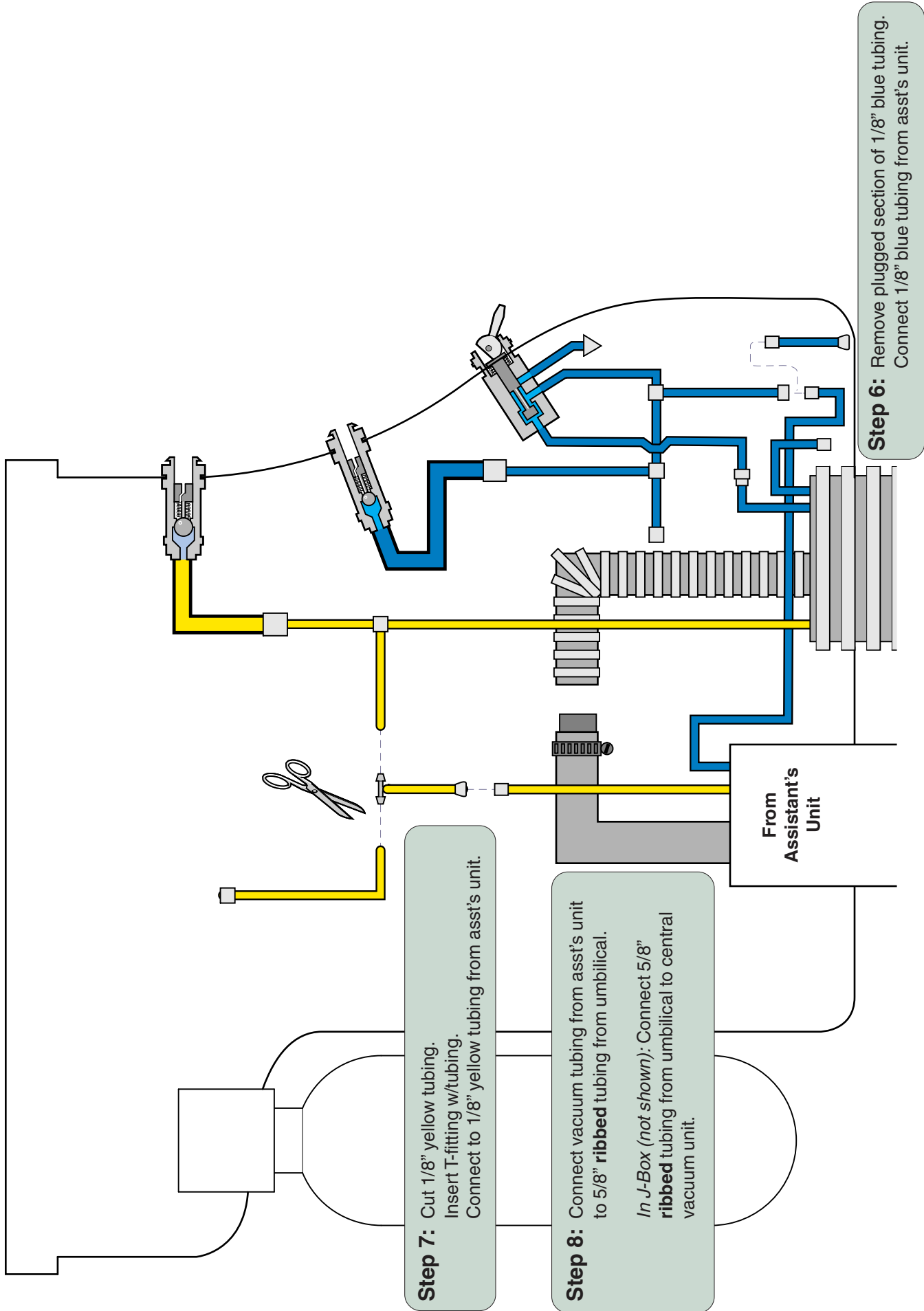
Alternate Route for 5/8" Tubing

Note
If the 2" umbilical tubing prevents routing 5/8" tubing at location of umbilical, use alternate route (shown).
Step 5: Route tubing into console.

Step 2: Rotate arm adapter clockwise.

Caution
Do not kink 5/8" tubing, causing a restriction.

DA3688i



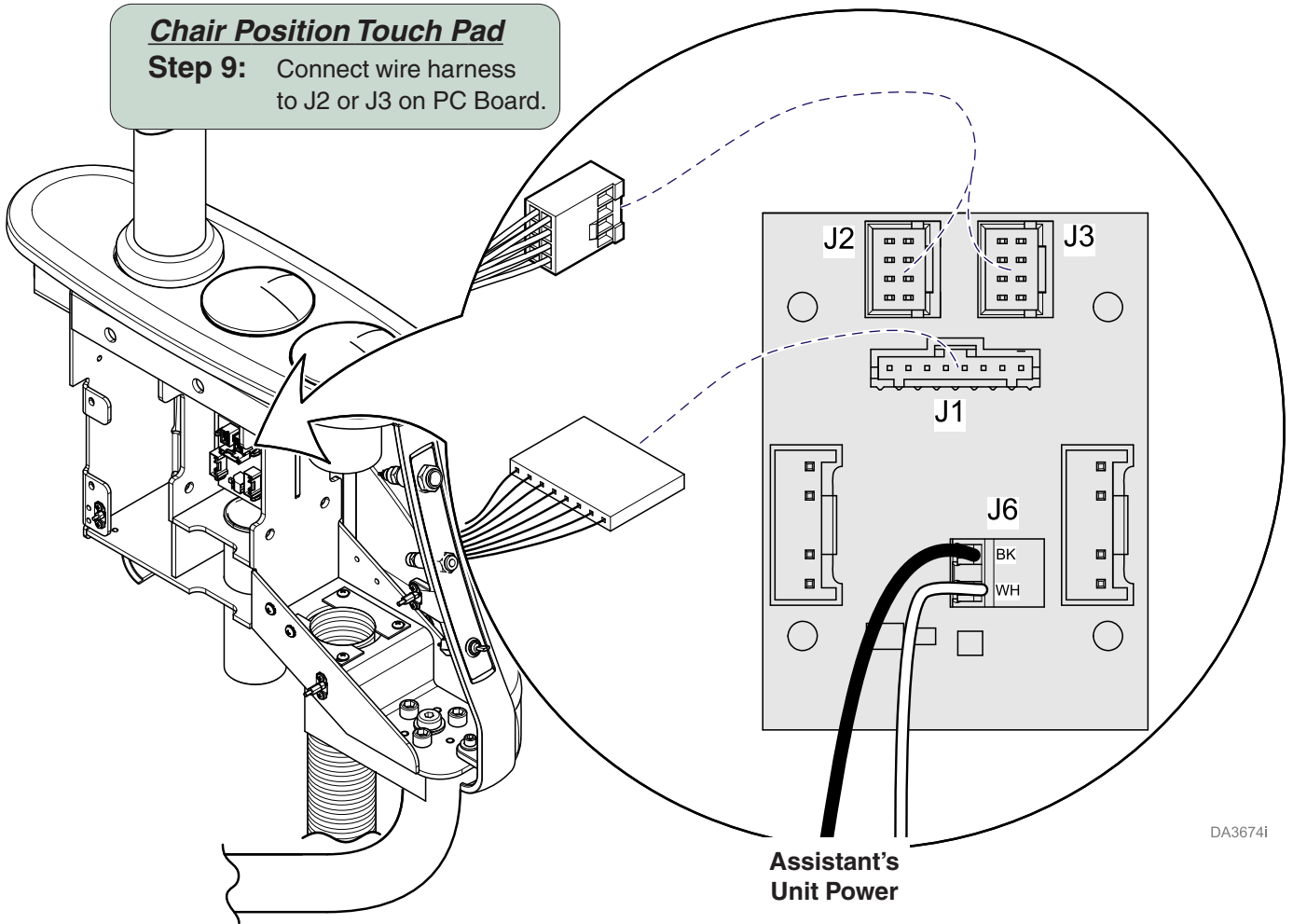
Step 7: Cut 1/8" yellow tubing. Insert T-fitting w/tubing. Connect to 1/8" yellow tubing from asst's unit.

Step 8: Connect vacuum tubing from asst's unit to 5/8" **ribbed** tubing from umbilical. *In J-Box (not shown):* Connect 5/8" **ribbed** tubing from umbilical to central vacuum unit.

Step 6: Remove plugged section of 1/8" blue tubing. Connect 1/8" blue tubing from asst's unit.

Chair Position Touch Pad

Step 9: Connect wire harness to J2 or J3 on PC Board.



DA36741

Step 10: Connect harness to J1 and connect two wires from wire harness to J6 terminals on PC Board as shown.

Midmark Corporation
60 Vista Drive
P.O. Box 286
Versailles, OH 45380-0286
937-526-3662
Fax 937-526-5542
www.midmark.com



Because we care.