

LR Mounted Procenter, Asepsis 21 or International (Whip) Delivery Unit Installation



Parts Bag Contents

Stop Pins 2

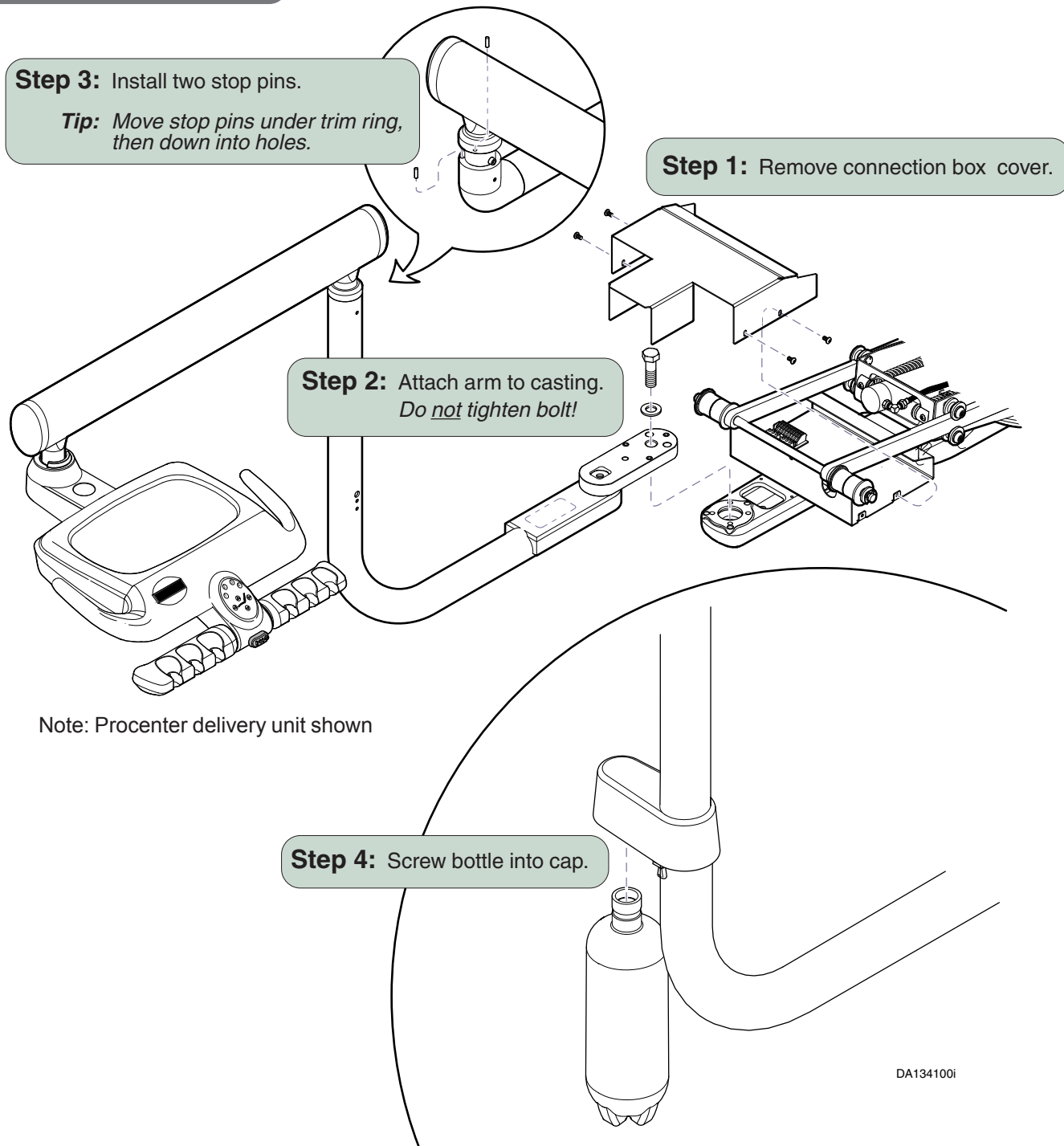
Special Tools

Level

Torque Wrench

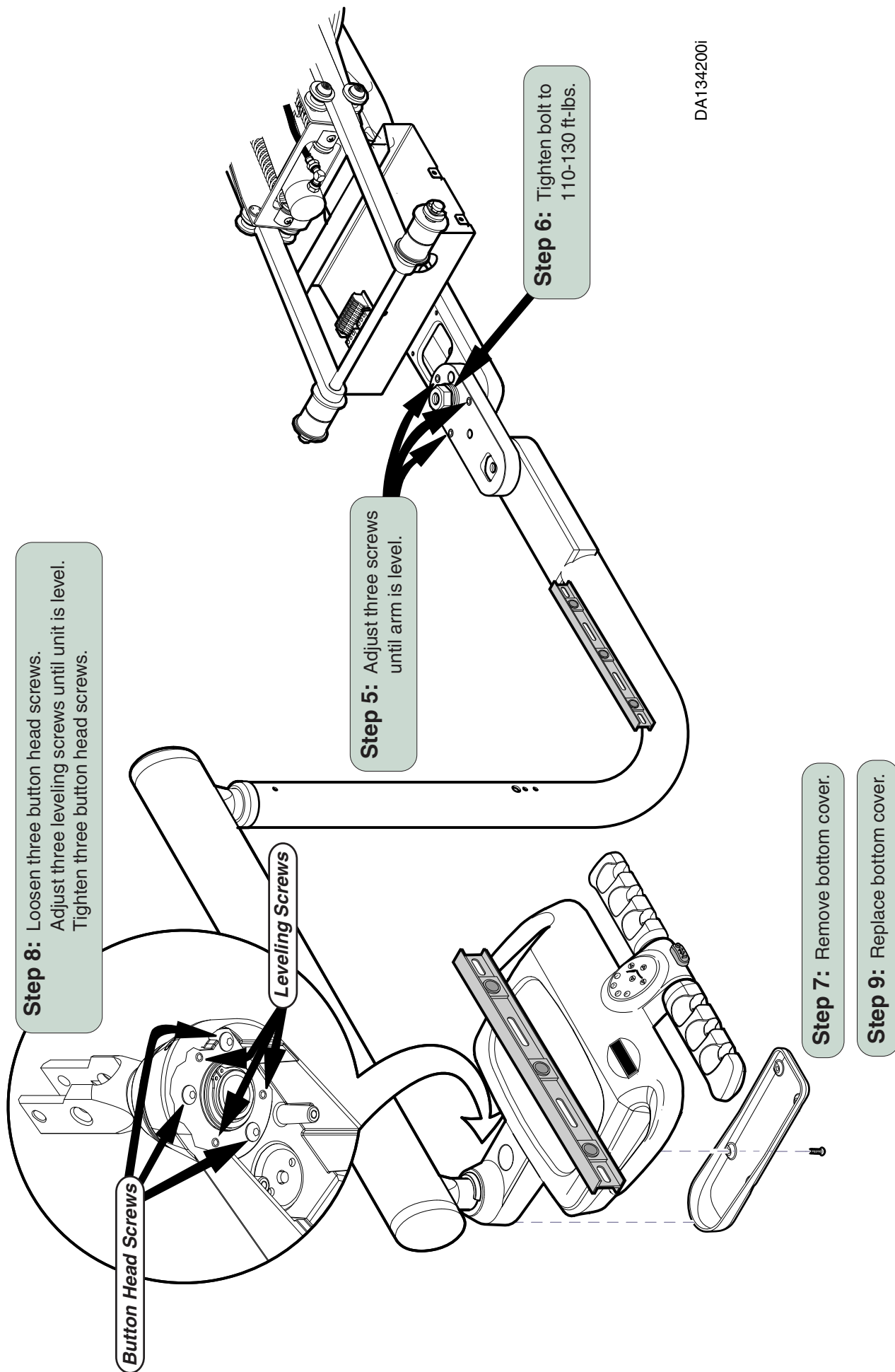
Attention!

Do not remove tape or packaging until Step 2 is complete.



DA134100i

Note: Steps 7 - 9 are Procenter delivery unit only.



DA134200i

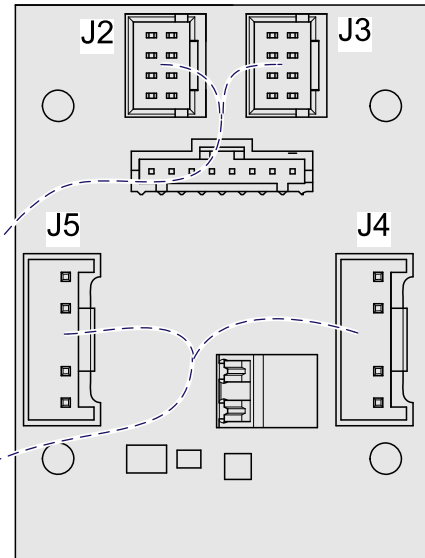
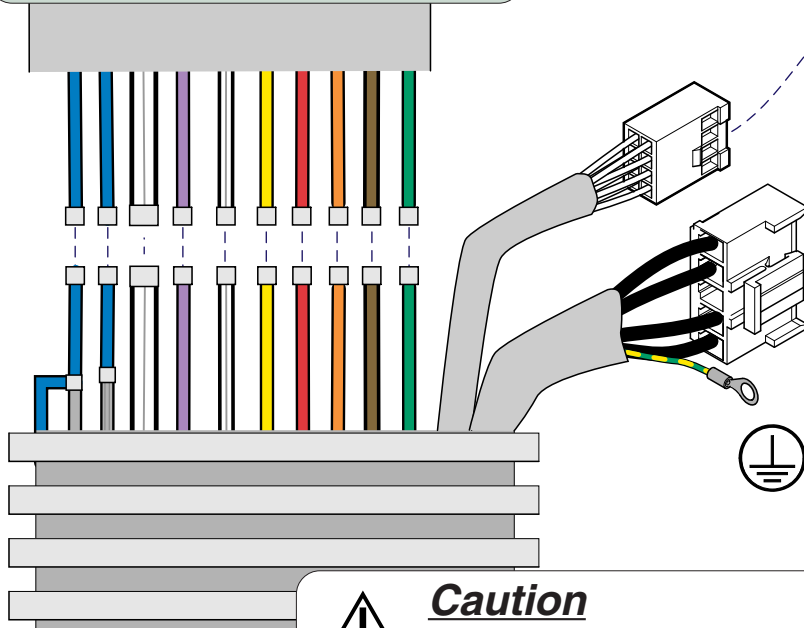
Attention!

Connect wire harnesses and tubing before placing umbilical in notch of connection box.

Chair Position Touch Pad

Step 12: Connect touch pad wire harness to J2 or J3 on PCB. Connect ground wire.

Step 10: Connect like-colored tubing.



Accessories

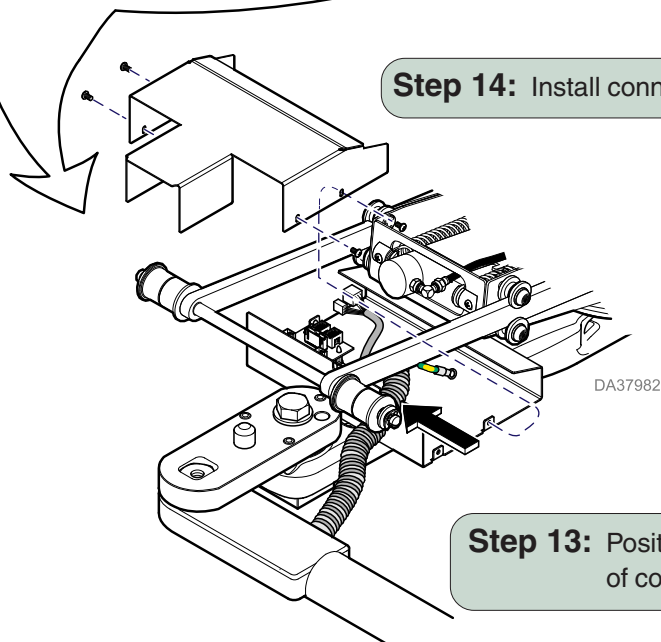
Step 11: Connect accessory wire harness to J4 or J5 on PCB.



Caution

Connect ground wire to ensure system ground continuity. Failure to do so may result in electric shock.

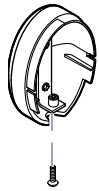
Step 14: Install connection box cover.



Step 13: Position umbilical in notch of connection box.

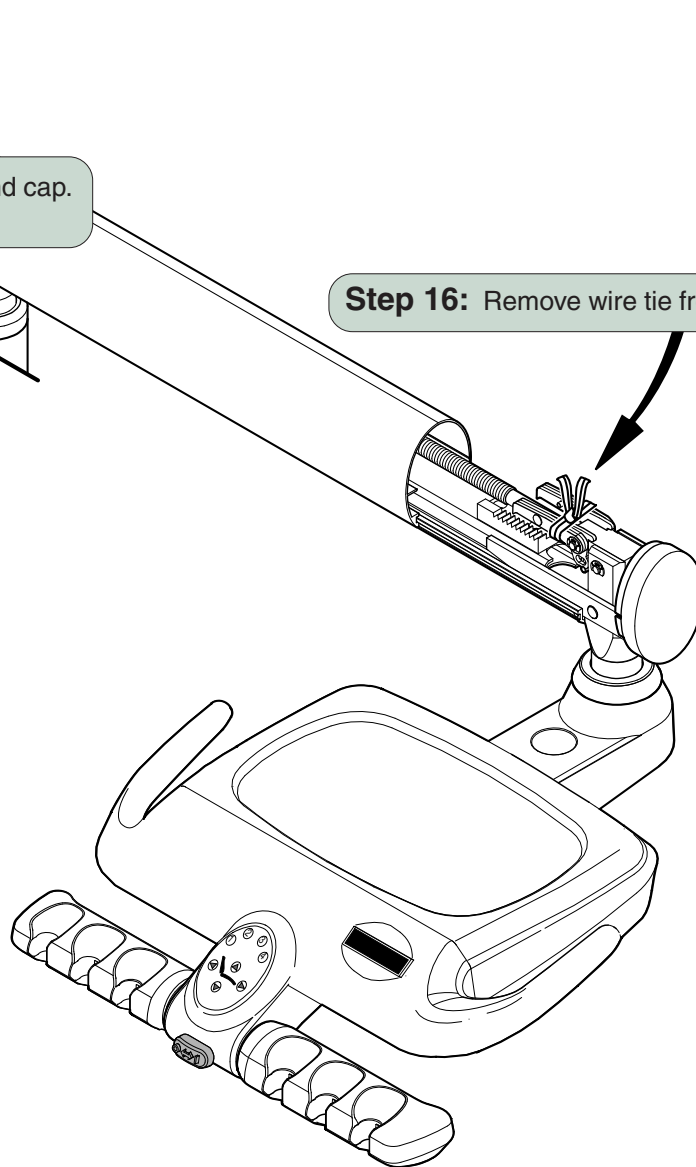
Attention!

Perform these steps after installation of entire operatory is complete.



Step 15: Remove flex arm end cap.
Slide cover back.

Step 16: Remove wire tie from lock pawls.



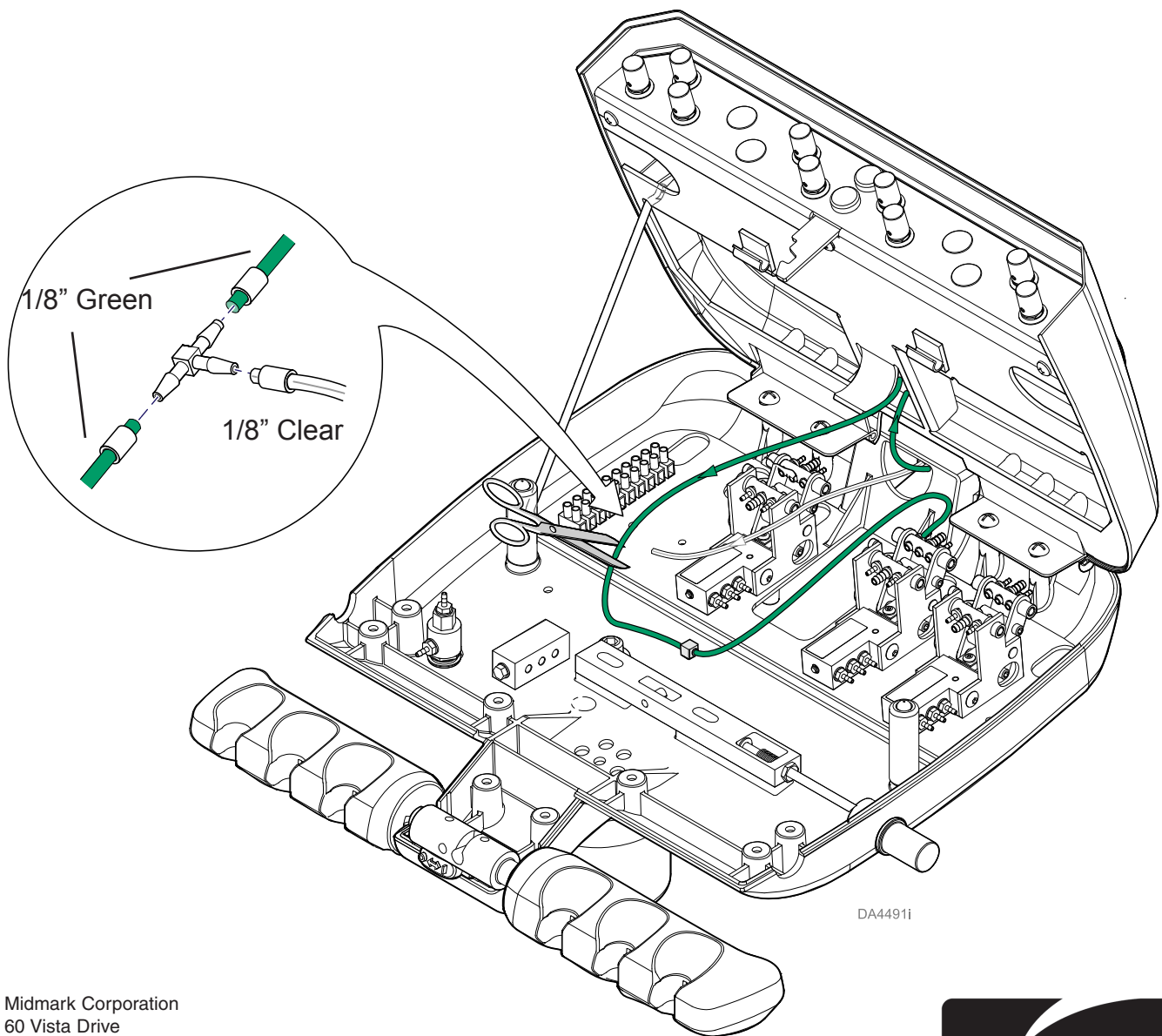
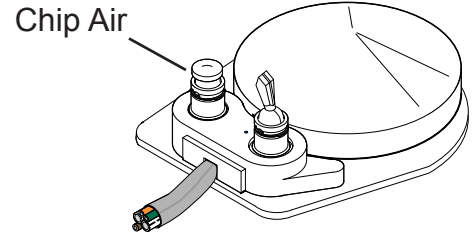
DA134400i

For Units Having Deluxe Rheostat with Chip Air Foot Control Only:

Make Chip Air Connection in Delivery Head.

- A) Cut green 1/8" Coolant Air Supply tubing.
- B) Locate clear 1/8" tubing coming into the unit head.
- C) Use barbed tee and sleeves to tee the 1/8" clear tubing into the 1/8" green coolant air tubing.

Deluxe Rheostat with Chip Air Unit Foot Control



Midmark Corporation
60 Vista Drive
P.O. Box 286
Versailles, OH 45380-0286
937-526-3662
Fax 937-526-5542
www.midmark.com



Because we care.

