

LR Assistant's Unit Installation

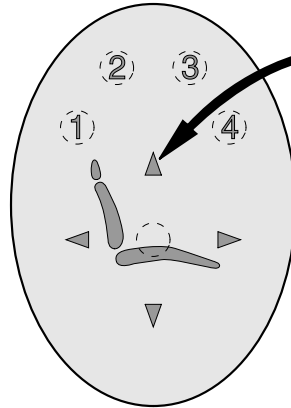


Parts Bag Contents

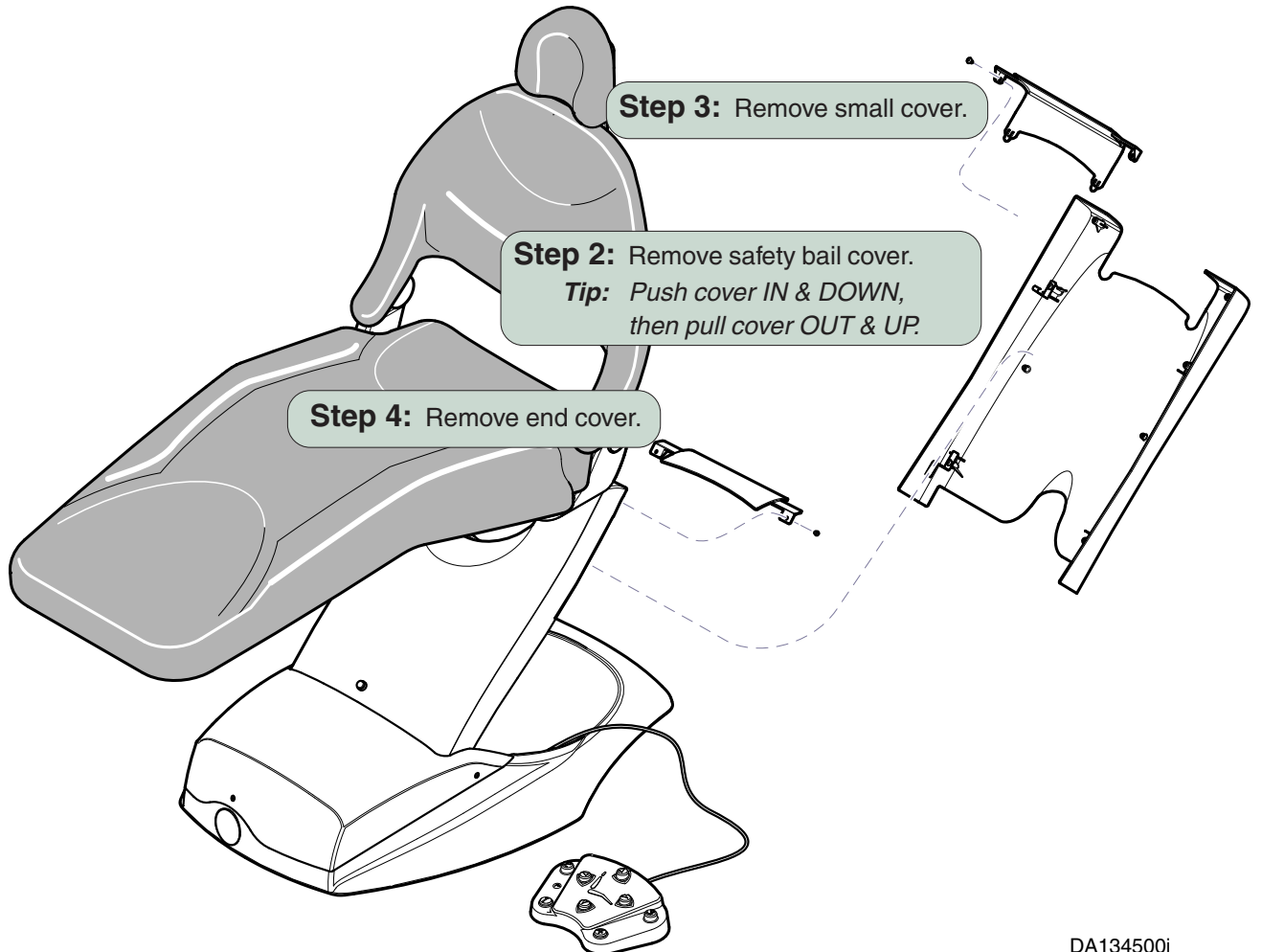
- T-Fitting w/tubing..... 1
- Screw 2
- Lockwasher 2
- Cable Tie 2
- Cap Sleeve (red)..... 1
- Toggle Cap (black) 1
- Water Q.D. Coupling ... 1

Special Tools

Level



Step 1: Raise chair all the way up; then unplug the chair.



Step 3: Remove small cover.

Step 2: Remove safety bail cover.
Tip: Push cover IN & DOWN, then pull cover OUT & UP.

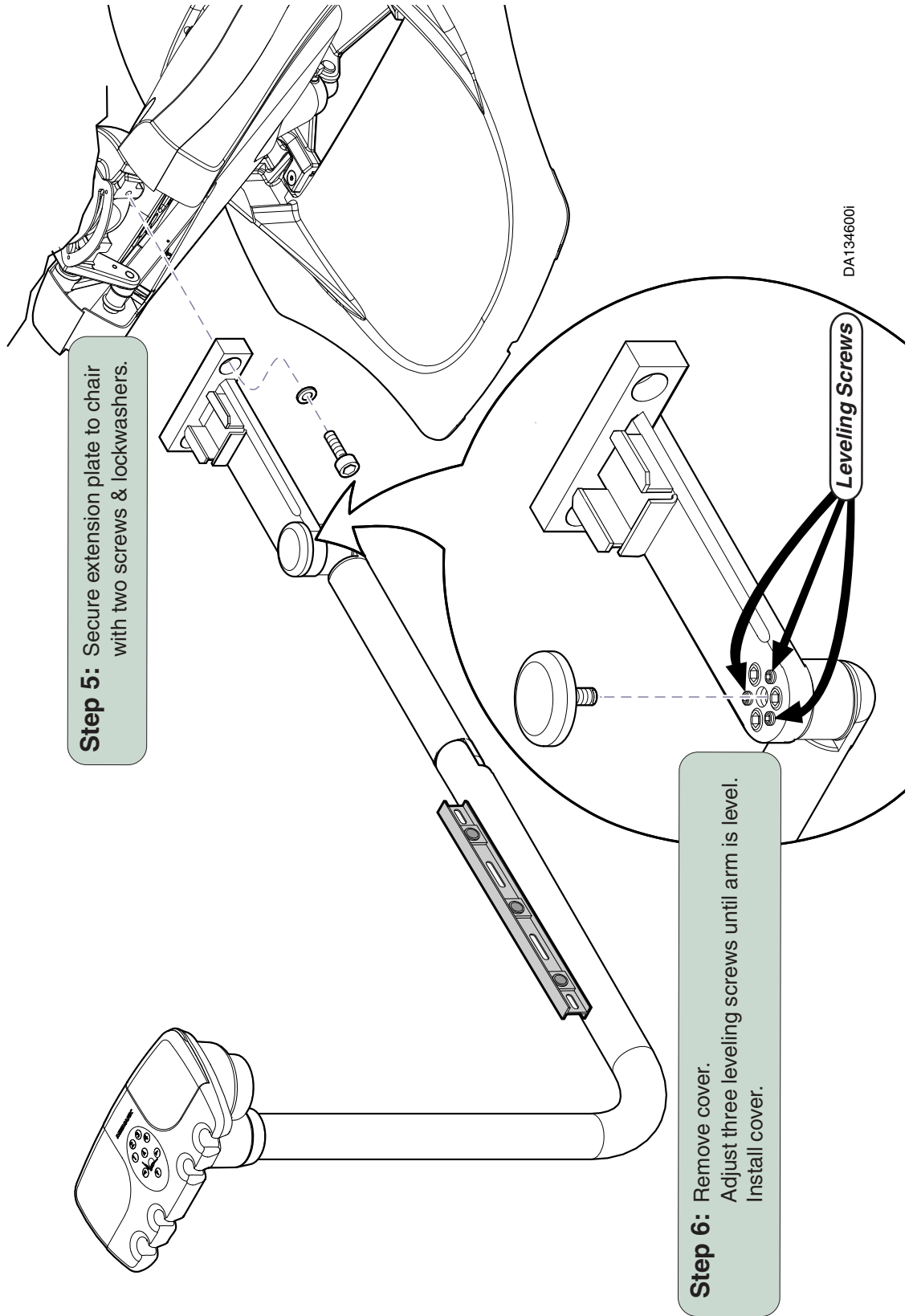
Step 4: Remove end cover.

DA134500i



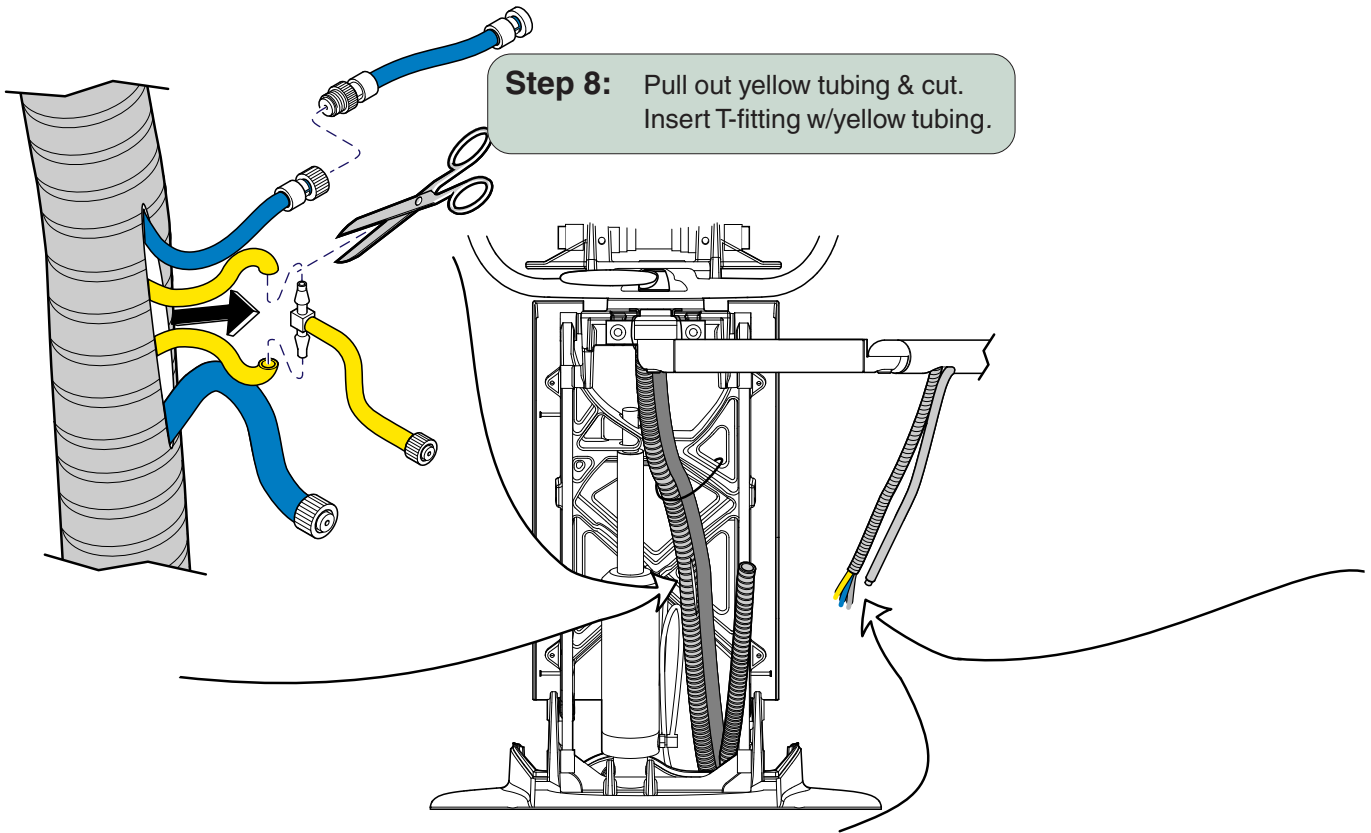
Equipment Alert

Have an assistant secure the instrument arm at all pivot points to prevent damage to equipment.

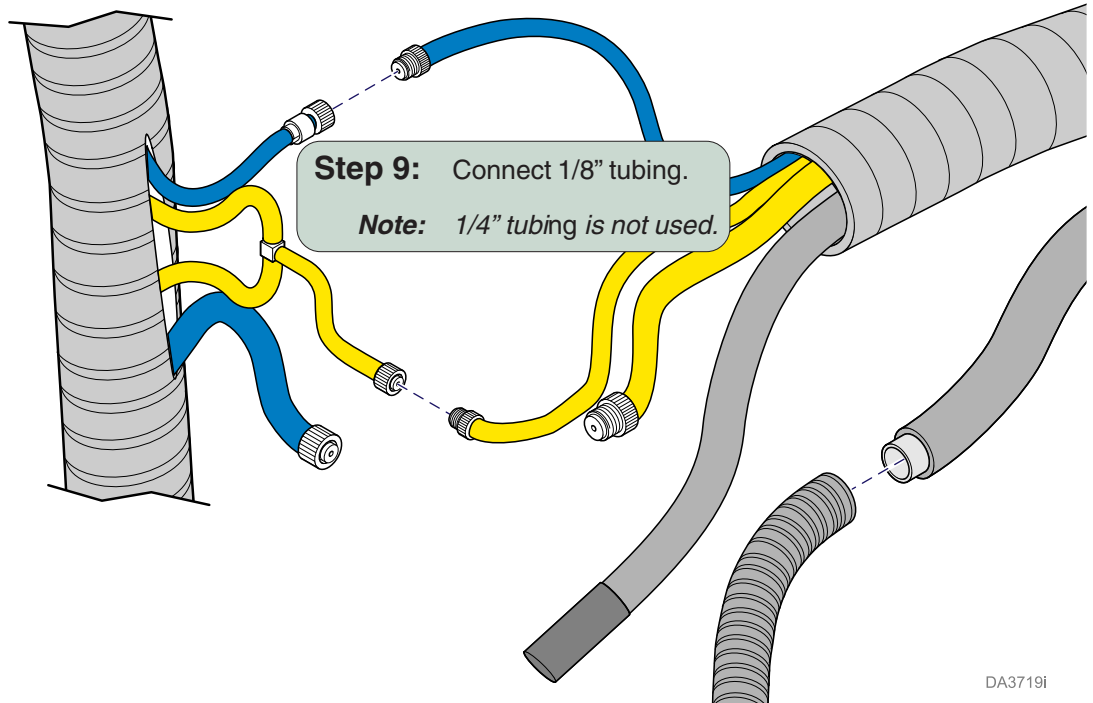


Step 7: Remove plugged section from 1/8" blue tubing.

Step 8: Pull out yellow tubing & cut.
Insert T-fitting w/yellow tubing.



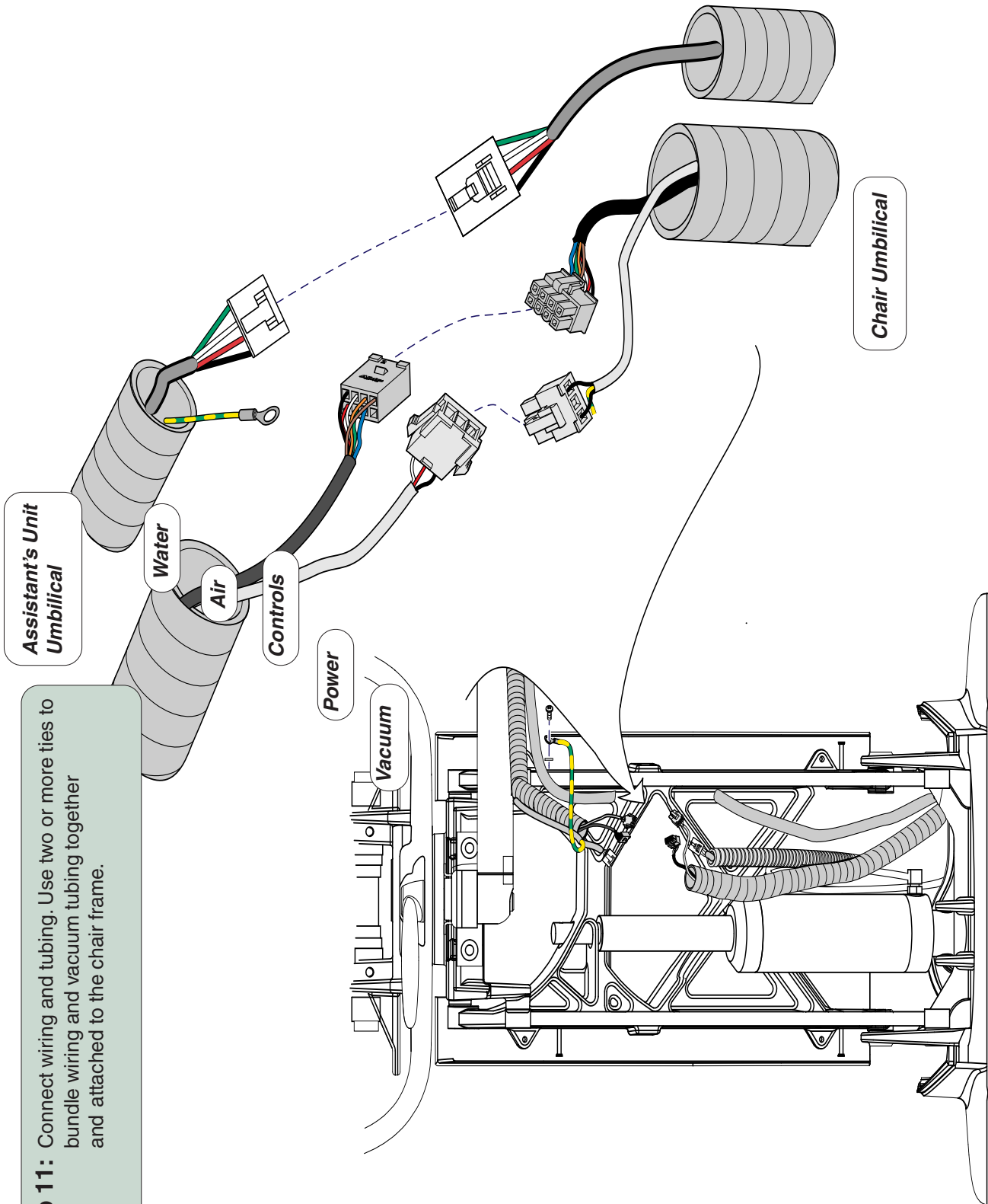
Step 9: Connect 1/8" tubing.
Note: 1/4" tubing is not used.



DA3719I

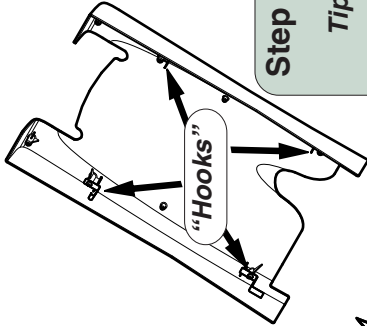
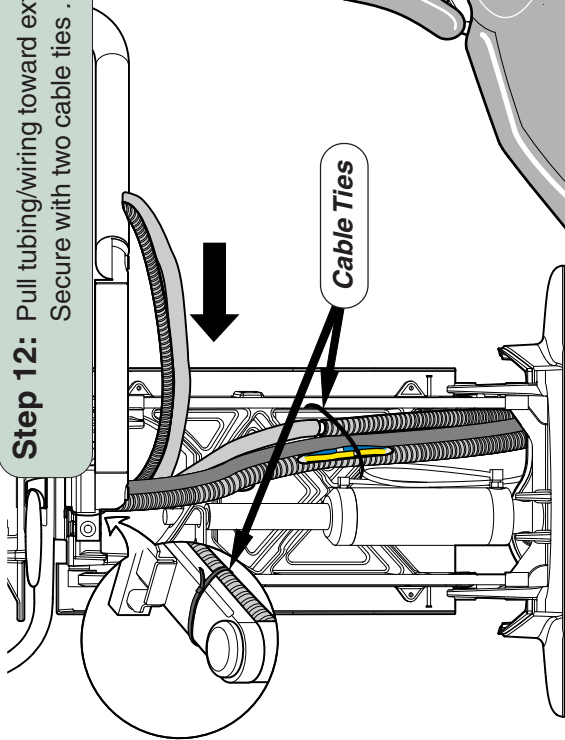
Step 10: Connect 5/8" grey tubing from Asst's Unit to 5/8" ribbed tubing from umbilical.
In J-Box (not shown): Connect 5/8" ribbed tubing from umbilical to central vacuum unit.
Note: 5/8" smooth tubing is for cuspidor drain.

Step 11: Connect wiring and tubing. Use two or more ties to bundle wiring and vacuum tubing together and attached to the chair frame.



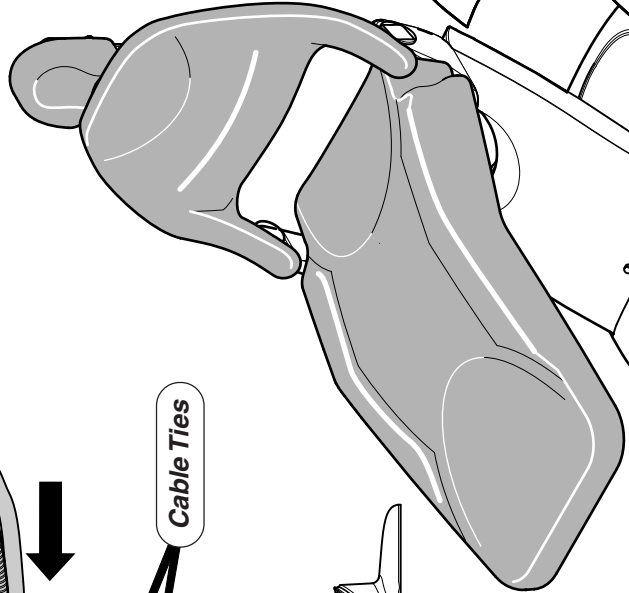
DA37141

Step 12: Pull tubing/wiring toward extension plate to minimize slack.
Secure with two cable ties .

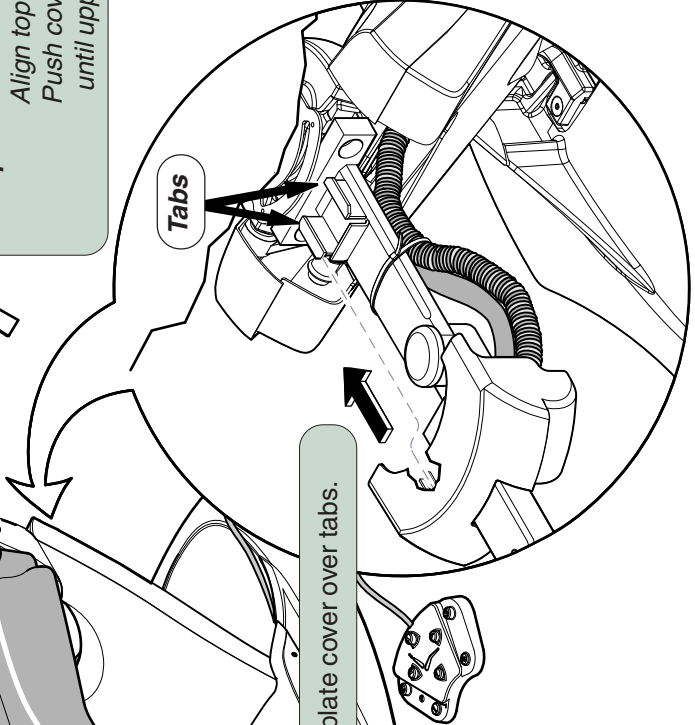


Step 13: Install safety bail cover.

Tip: Position bottom "hooks" on lower mounting pins.
Align top "hooks" with upper mounting pins.
Push cover Down, In, then pull Upward
until upper "hooks" engage.



Step 14: Slide extension plate cover over tabs.



Midmark Corporation
60 Vista Drive
P.O. Box 286
Versailles, OH 45380-0286
937-526-3662
Fax 937-526-5542
www.midmark.com



DA1352001