

Amdent Scaler System (153631-001) Installation Guide

CONTENTS

Unpacking	1
Standard Handpiece Tubing Removal	1
Scaler Components Installation	2
Scaler Tubing Connection	3
Scaler Electrical Connections	4
Operation.....	4

UNPACKING



EQUIPMENT ALERT

To avoid damage, do not use a knife or sharp object to open packaging.

- Carefully remove all enclosed components from packaging and inspect for shipping damage. If damage is apparent, file a Concealed Damage Report with the carrier.

STANDARD HANDPIECE TUBING REMOVAL

NOTE

Determine which current handpiece position will be replaced with the Amdent Scaler System. Ask unit owner to indicate preferred placement.

- Press release button and lift cover of delivery unit. Using lid support, prop cover in fully open position.
- Disconnect two pieces of 1/8 in. handpiece tubing (1, Figure 1) from kink valve assembly (2).
- Disconnect 1/4 in. grey handpiece tubing (3) from 1/4 in. clear tubing (4).
- Disconnect 1/4 in. grey handpiece tubing (5) from connector fitting (6).
- Remove handpiece tubing from delivery unit.
- Disconnect 1/8 in. green tubing (7) from kink valve assembly (2).

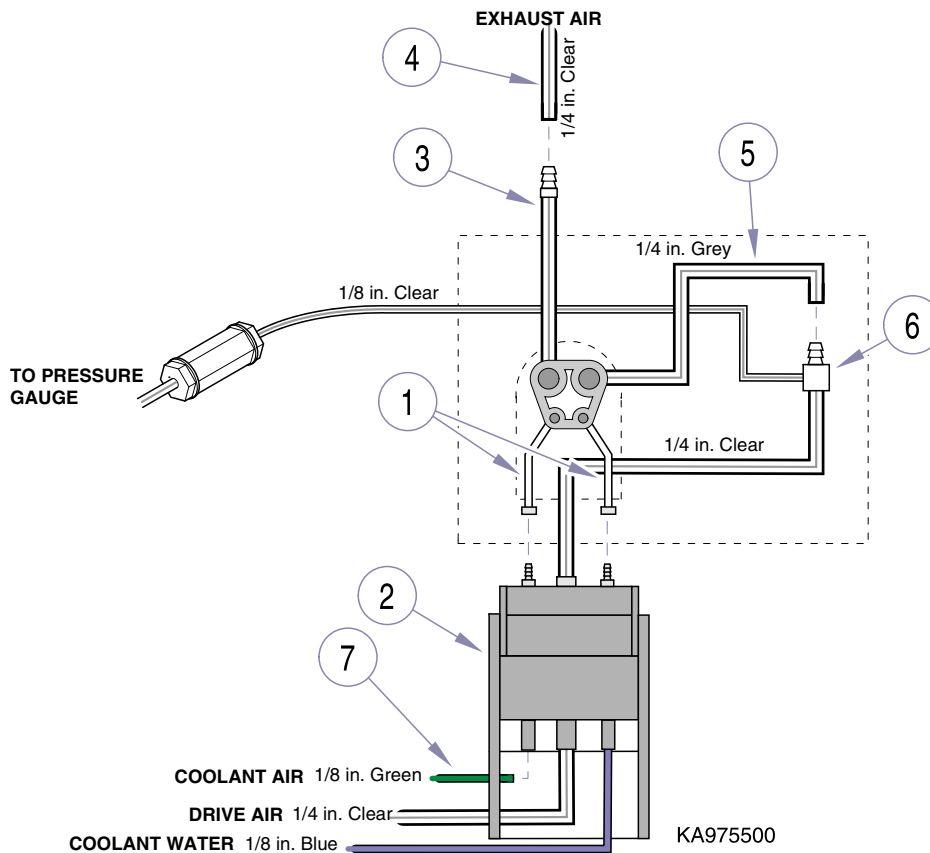
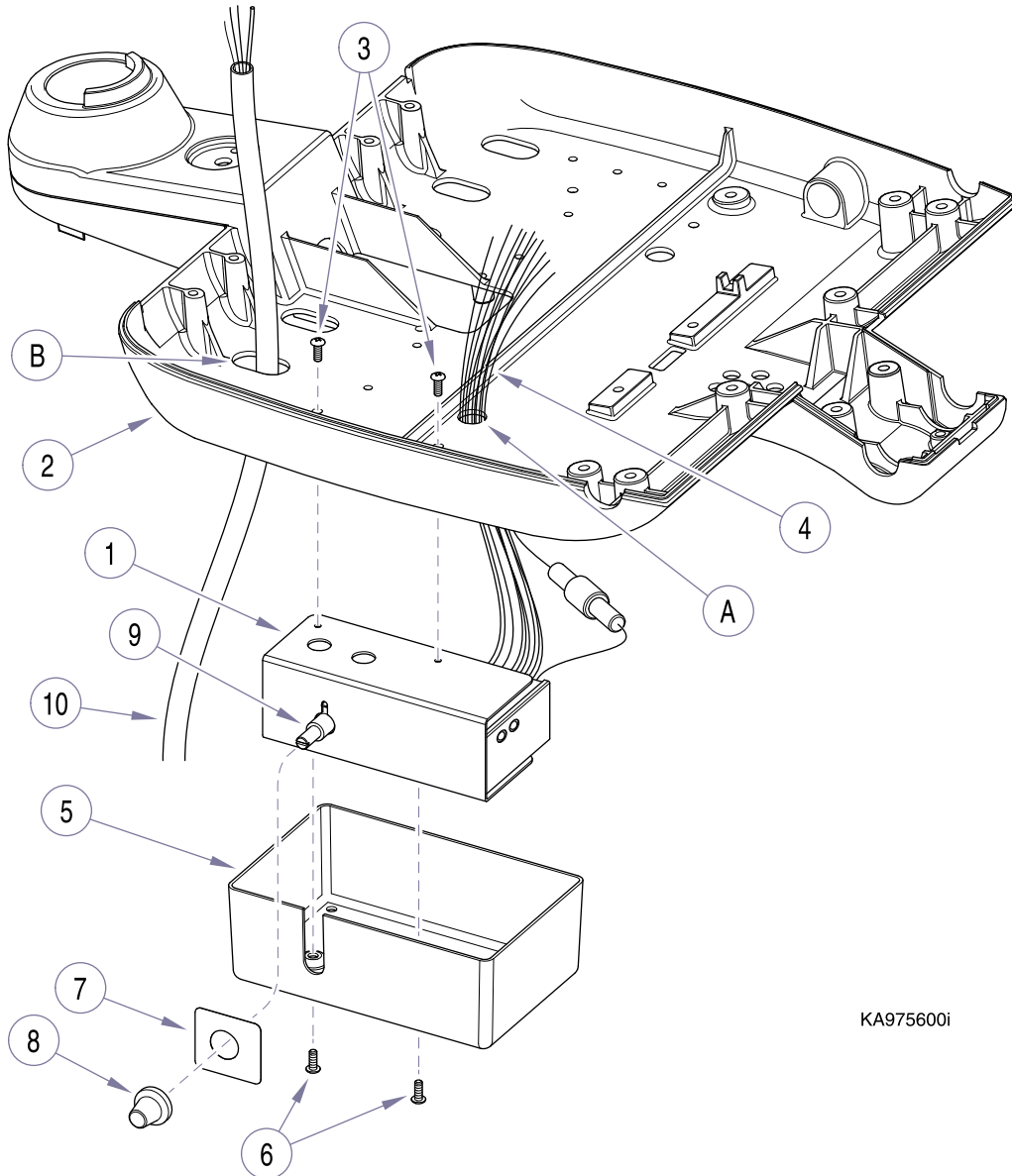


Figure 1. Standard Handpiece Tubing Removal

SCALER COMPONENTS INSTALLATION

- (1) Install scaler holder bracket (1, Figure 2) on bottom side of delivery unit housing (2) and secure with two screws (3).
- (2) Feed scaler wire harness (4) up thru wire hole (A).

- (3) Install cover (5) on scaler holder bracket (1) and secure with two screws (6).
- (4) Peel off protective backing from label (7); then install label on cover (5).
- (5) Install knob (8) on potentiometer (9).
- (6) Insert scaler handpiece tubing (10) up thru tubing hole (B) in delivery unit housing (2).



KA975600i

Figure 2. Scaler Components Installation

SCALER TUBING CONNECTIONS

NOTE

Install 1/4 in. sleeve clamps onto 1/4 in. tubing and 1/8 in. uni-clamps (included w/kit) onto 1/8 in. tubing before making connections in the following procedures.

In following step, cut an approximately 2 in. length of 1/8 in. clear tubing from 1/8 in. tubing supplied with install kit.

- (1) Plug off end of 1/4 in. clear tubing (1, Figure 3) [exhaust air line] with 1/4 to 1/8 in. reducer fitting (2), 2" length of 1/8 in. clear tubing (3), and plug (4). Secure tubing as necessary with 1/8 in. uni-clamps and 1/4 in. sleeve clamps.
- (2) Plug off end of 1/8 in. green tubing (5) [coolant air line] with 1/8 in. plug (6). Secure tubing with uni-clamp.

Coolant Water

- (3) Connect 1/8 in. clear handpiece tubing (7) [from scaler handpiece tubing] to fitting (A) of kink valve assembly (8). Secure tubing with uni-clamp.

Drive Air

- (4) Connect pressure switch (9) to fitting (10) with 1/8 in. clear tubing (11), 1/4 to 1/8 in. reducer fitting (12), and 1/4 in. clear tubing (13) (supplied with install kit). Secure tubing as necessary with 1/8 in. uni-clamps and 1/4 in. sleeve clamps.

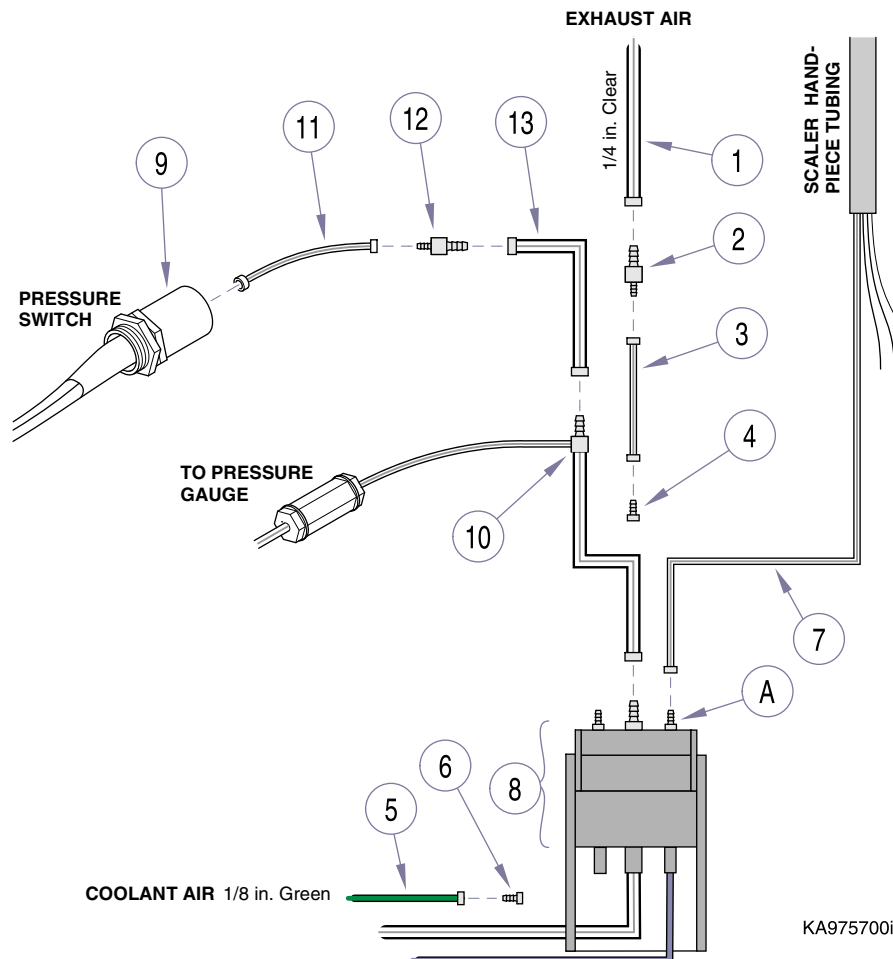


Figure 3. Scaler Tubing Connections

SCALER ELECTRICAL CONNECTIONS

NOTE

To use wire connector, fully insert two unstripped wires into connector. Using pliers, squeeze wire spade (A) down onto two wires. Then, snap lid (B) shut to cover connections.

- (1) Connect black wire (1, Figure 4) **[from scaler handpiece tubing]** to black wire (2) **[from scaler assembly]** with connector (3).
- (2) Connect white wire (4) **[from scaler handpiece tubing]** to white wire (5) **[from scaler assembly]** with connector (3).

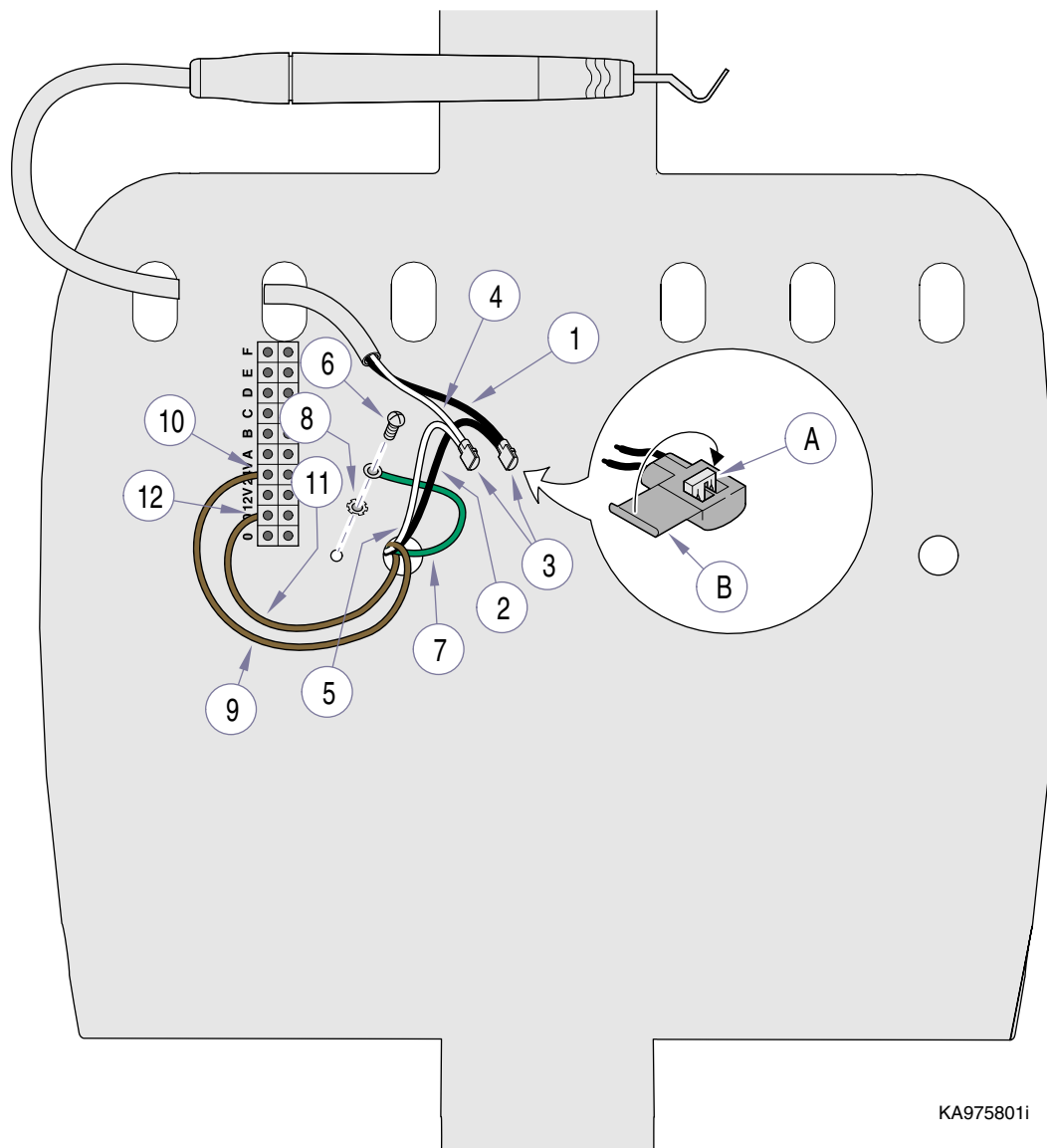
(3) Remove screw (6); then attach green wire (7) **[from scaler assembly]** to delivery head with lockwasher (8) and screw (6).

(4) Connect one brown wire (9) **[from scaler assembly]** to 24 V terminal (10). Tighten terminal screw to secure wire.

(5) Connect remaining brown wire (11) **[from scaler assembly]** to 0 V terminal (12). Tighten terminal screw to secure wire.

OPERATION

Refer to Amdent's User's Manual (supplied with this kit) for instructions on operation of this handpiece scaler.



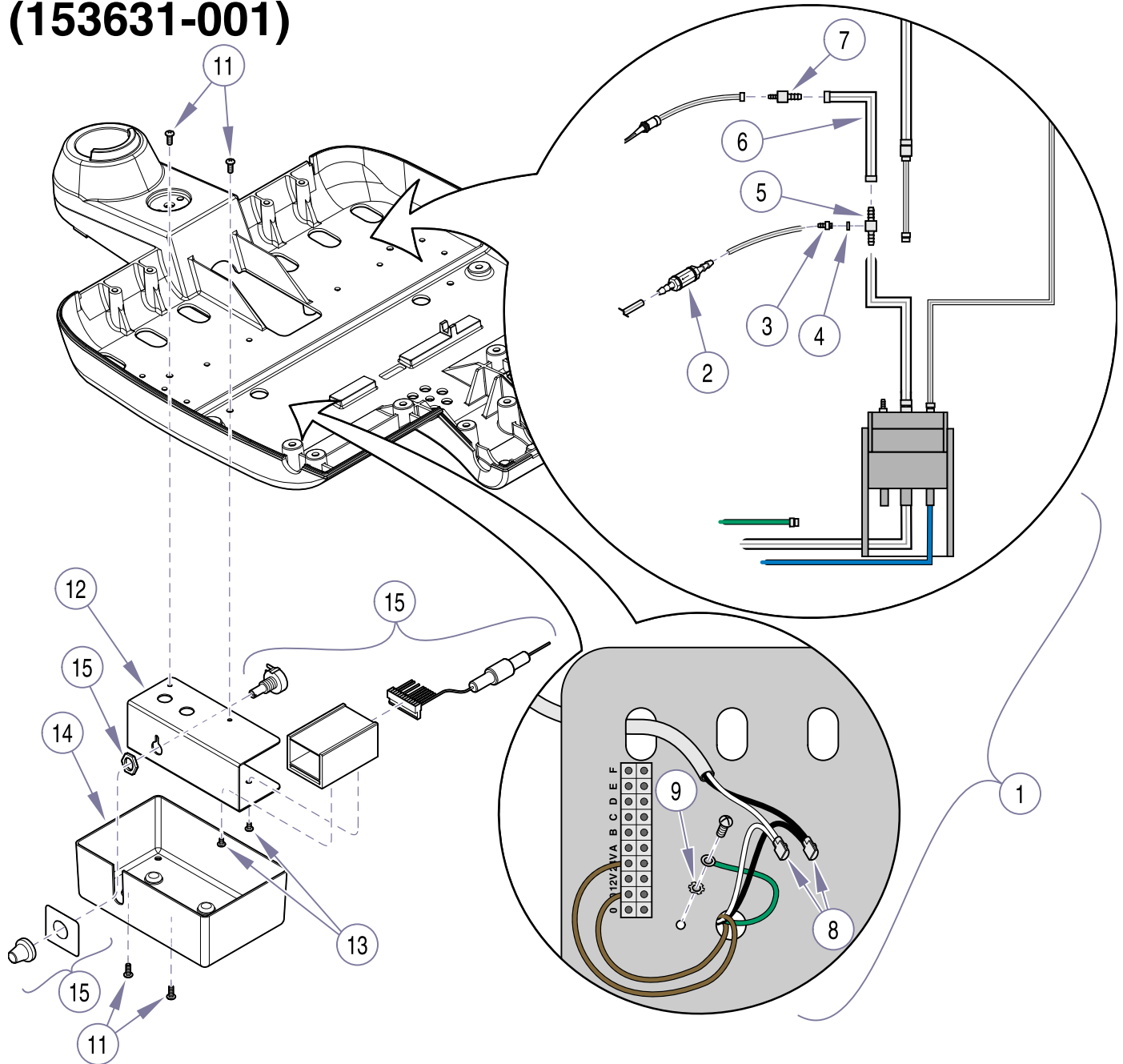
KA975801i

Figure 4. Scaler Electrical Connections

Amdent Scaler System

[for Procenter Field Installed]

(153631-001)



KA976800i

Item	Part No.	Description	Qty	Item	Part No.	Description	Qty
	153631-001	Amdent Scaler System - Field Install (Procenter) (incl. items 1 & 10)	Ref	9	•• P14718	•• Washer	1
1	• 029-2644-00	• Amdent Tubing Assembly (includes items 1 thru 9)	Ref	10	• 029-2645-00	• Amdent Scaler Box Assembly (includes items 11 thru 16)	Ref
2	•• 117698	•• Check Valve	1	11	•• 040-0006-97	•• Screw	4
3	•• 109714	•• Barb Fitting	1	12	•• 050-5412-50	•• Amdent Holder Bracket	1
4	•• 117660	•• Gasket	1	13	•• 042-0118-01	•• Screw	2
5	•• 117483	•• Barbed Nipple Fitting	1	14	•• 053-1197-01	•• Scaler Cover	1
6	•• 177529	•• 1/8" Clear Tubing	1	15	•• 123062	•• Amdent Scaler	1
7	•• 117739	•• Barb Fitting	1	16	•• 015-1482-00	•• Amdent Scaler Wiring Diagram (includes item 17) [not shown]	1
8	•• 116688	•• Connector	2	17	••• 120769	••• Pressure Switch (not shown)	1