

KIT COMPONENTS

Part Number	Description	Qty.
057-0661-50	Lid Support Rod	1
118167	Clamp	1
003-1219-00	Installation Instructions	1

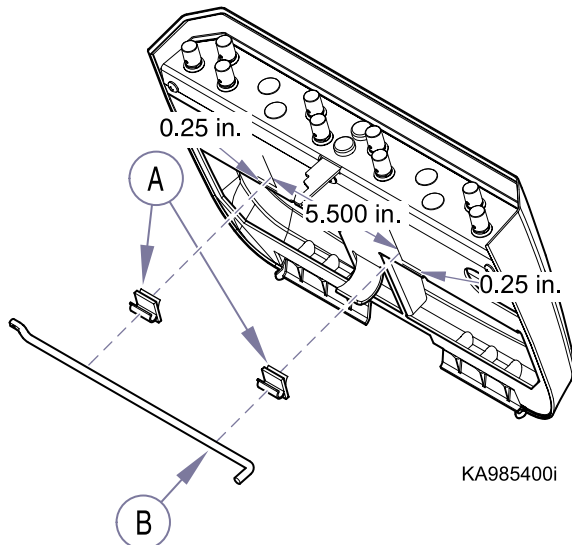
REQUIRED TOOLS

Measuring Tape

INTRODUCTION

Provides a means to prop up Instrument Head Lid to allow for easy hand access while servicing the Instrument Head.

INSTALLATION

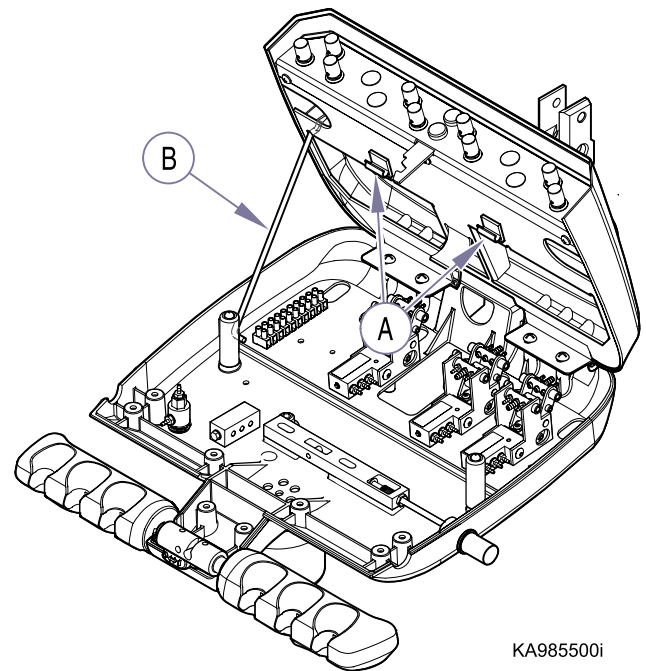


NOTE

Clean and degrease mating surface before installing two clamps. Otherwise, clamps may not adhere properly.

- A. Peel off protective backing; then center and install two clamps on instrument head lid as shown in illustration.
- B. When not using, store lid support rod in two clamps.

OPERATION



- A. To use lid support rod, remove rod from two clamps.
- B. Position lid support rod as shown.