

KIT COMPONENTS

Part Number	Description	Qty
153654-001	Keyboard Tray Assy.	
• 050-5057-50	Keyboard Tray	1
• 003-1226-00	Instructions.....	1

GENERAL INFORMATION

To provide a means to mount a keyboard on a chair that has a 153652 Monitor Pedestal.



EQUIPMENT ALERT

Maximum capacity of Keyboard Tray is 4 lbs. (1.8 kg)

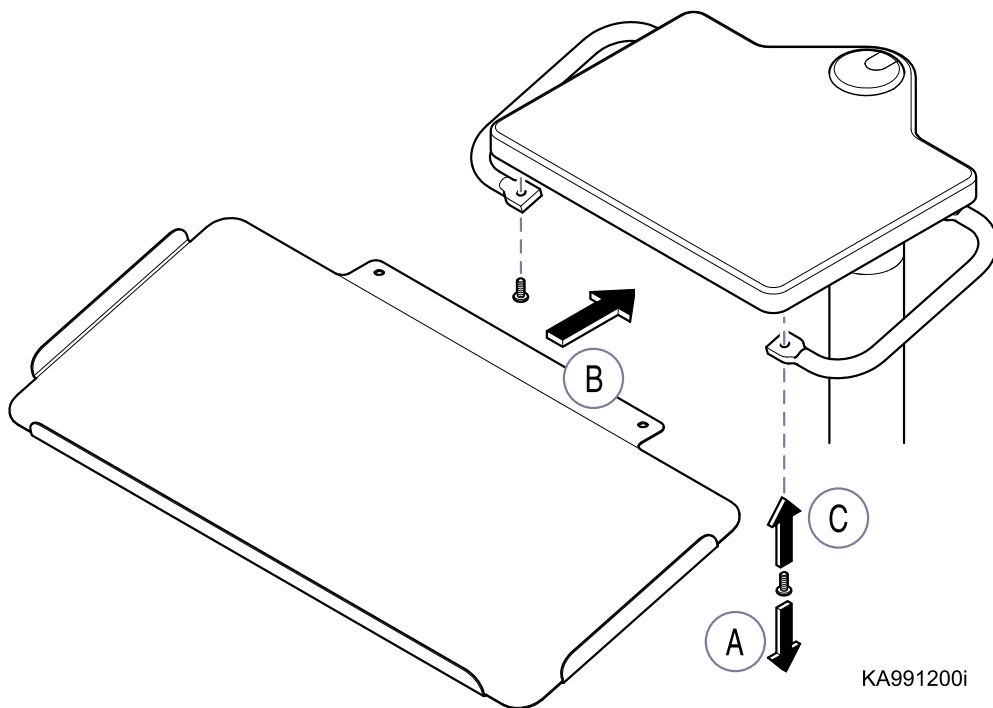
Do not lean against tray or damage could occur.

INSTALLATION (KEYBOARD TRAY)

- Remove two front monitor handle mounting screws and loosen two back mounting screws.
- Position keyboard tray between bottom of monitor tray and handles aligning mounting holes.
- Install two handle mounting screws to secure tray and then tighten all screws.

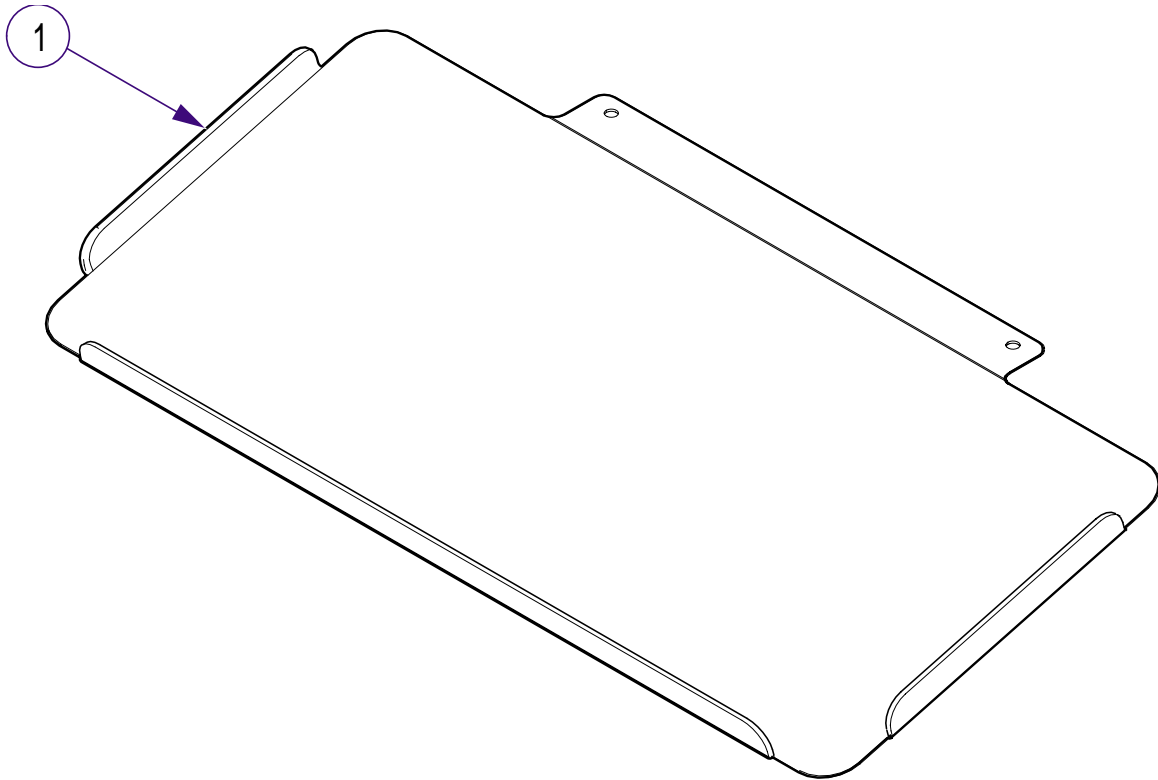
NOTE

The keyboard tray has a maximum capacity of 4 lbs. (1.8 kg). Do not lean against the tray or damage could occur.



Keyboard Tray 153654

ACCESSORY PARTS LIST



KA985300i

Item	Part No.	Description	Qty	Item	Part No.	Description	Qty
	153654-001	Keyboard Tray Assembly (Incl. Item1) Ref	1		• 050-5057-50	• Keyboard Tray	1

Always Specify Model & Serial Number