

153657 Assistant's Instrument Tray 152361 Accessory Shelf for Carts

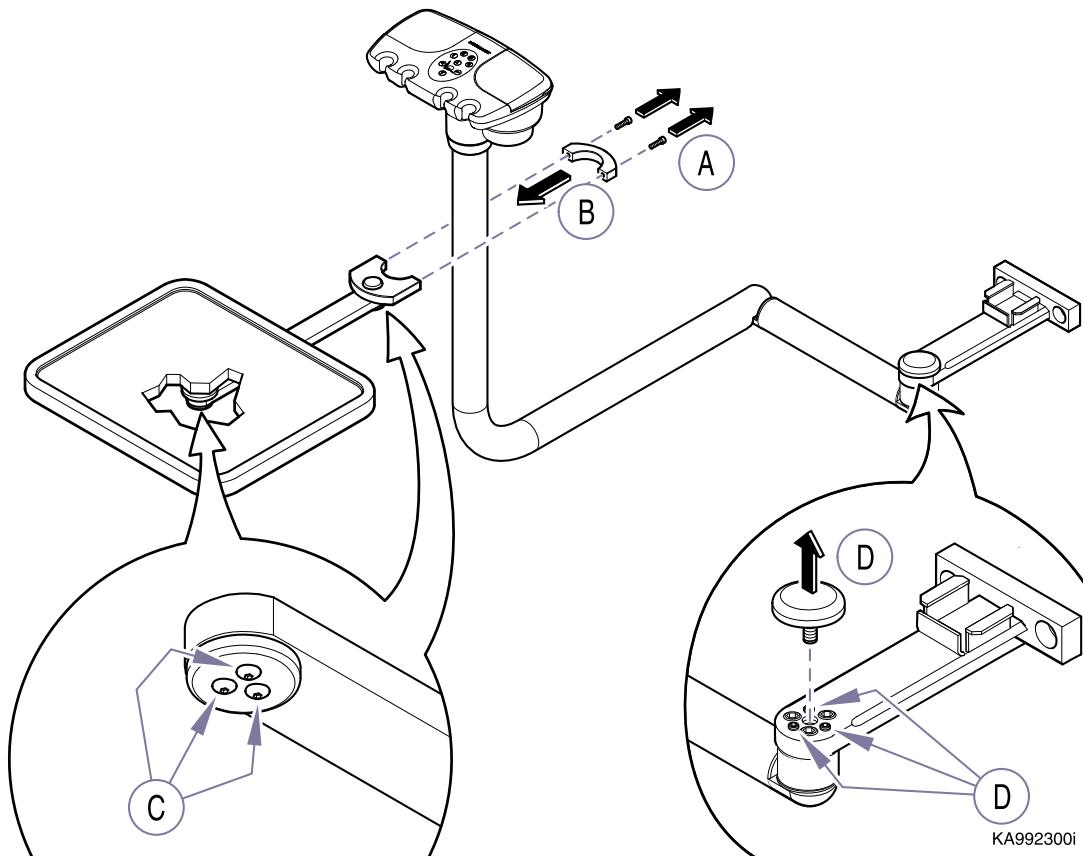
KIT COMPONENTS

Part Number	Description	Qty.
029-2732-00	Tray System, 12" (30.5 cm) x 14" (35.5 cm).....	1
• 003-1240-00	Installation Instructions.....	1

REQUIRED TOOLS

Allen Wrenches (5 / 64", 1/8" and 5 / 32").
Level

INSTALLATION



- Remove the socket head screws and separate the two halves of the tray clamp.
- Place the tray and clamp assembly in position on the assistant's instrument arm assembly and install the socket head screws.
- Check operation. If necessary, the amount of drag at the two pivot points on the tray arm can be adjusted by tightening or loosening the three socket head screws at each location.

NOTE

Check the instrument arm to assure it is level. If necessary, adjust the three leveling screws.

- Remove the cover and adjust the three leveling screws.



EQUIPMENT ALERT

Maximum shelf load limitation is 10 lbs. (4.5 kg).

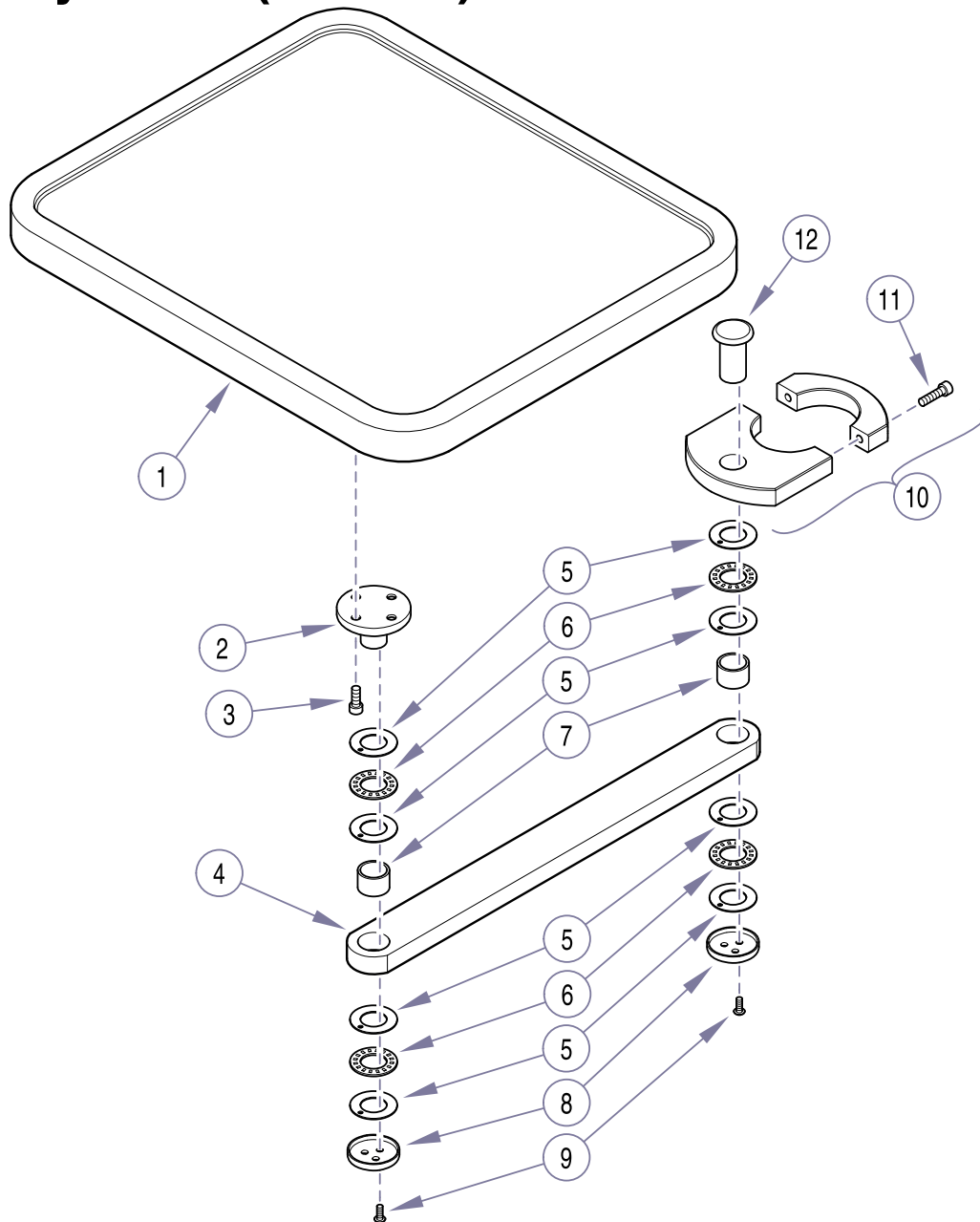
Style A

MIDMARK®

Midmark Corporation, Versailles, Ohio 45380 U.S.A.
(937) 526-3662 FAX (937) 526-5542

003-1240-00 Rev. CA1 (3/13/18)

Assistant's Tray (153657) Accessory Shelf (152361)



KA991600i

Item	Part No.	Description	Qty	Item	Part No.	Description	Qty
	153657	Assistant's Tray - 1 3/4" Clamp [Factory Installed] (includes items 1 thru 12) ... Ref		3	• 122445	• Screw.....	4
	153657-001	Assistant's Tray - 1 3/4" Clamp [Field Installed] (includes items 1 thru 12) ... Ref		4	• 121079-50	• Instrument Tray Arm	1
	153657-002	Assistant's Tray - 2" Clamp [Factory Installed] (includes items 1 thru 12) ... Ref		5	• 119458	• Thrust Washer	8
	153657-003	Assistant's Tray - 2" Clamp [Field Installed] (includes items 1 thru 12) ... Ref		6	• 119462	• Needle Bearing.....	4
	153657-004	Assistant's Tray - 2 1/4" Clamp [Factory Installed] (includes items 1 thru 12) ... Ref		7	• 120579	• Tray Arm Bearing.....	2
	153657-005	Assistant's Tray - 2 1/4" Clamp [Field Installed] (includes items 1 thru 12) ... Ref		8	• 120580-50	• Tray Arm Bearing Cap	2
1	• 063-9958-00	• Assistant's Tray Top.....	1	9	• 121698-5	• Screw.....	6
2	• 057-0666-00	• Tray Arm Pin.....	1	10	• 051-0959-50	• Assistant's Tray Clamp - 1 3/4"	
					• 051-0959-51	• Assistant's Tray Clamp - 2"	
					• 051-1226-00-216	• Assistant's Tray Clamp - 2 1/4"	
						(includes item 11)	1
				11	• • 040-0010-132	• Screw	2
				12	• 120962	• Pivot Pin.....	1