

12:00 Delivery Unit / Asst.'s Instruments Pre-Installation Guide

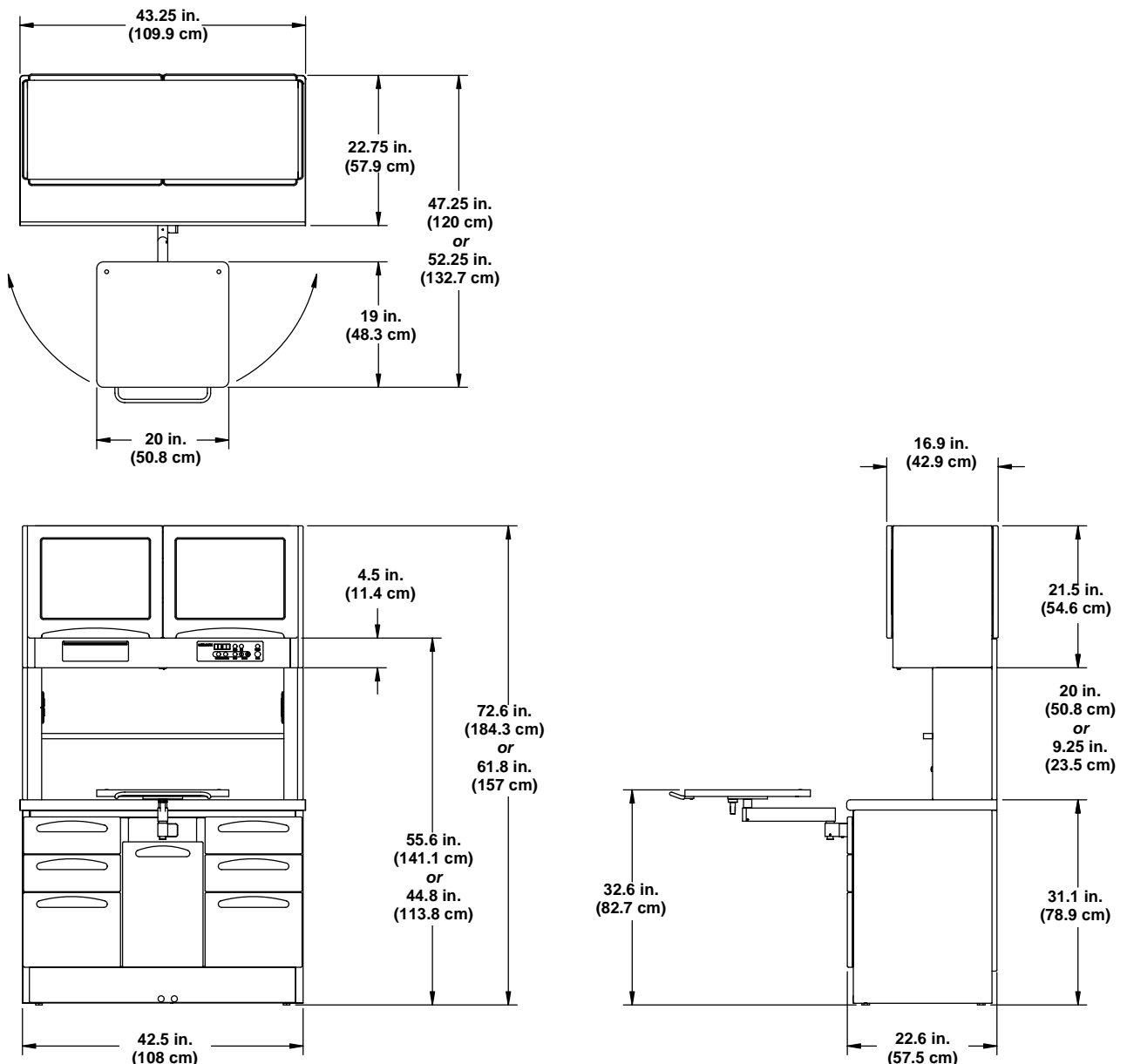
CONTENTS	Page
Casework Placement.....	1
Connections Diagram.....	2
Water Supply Requirements.....	3
Air Supply Requirements.....	3
Vacuum Requirements.....	3

CASEWORK PLACEMENT

NOTE

Verify desired location with proper personnel before installing required connections.

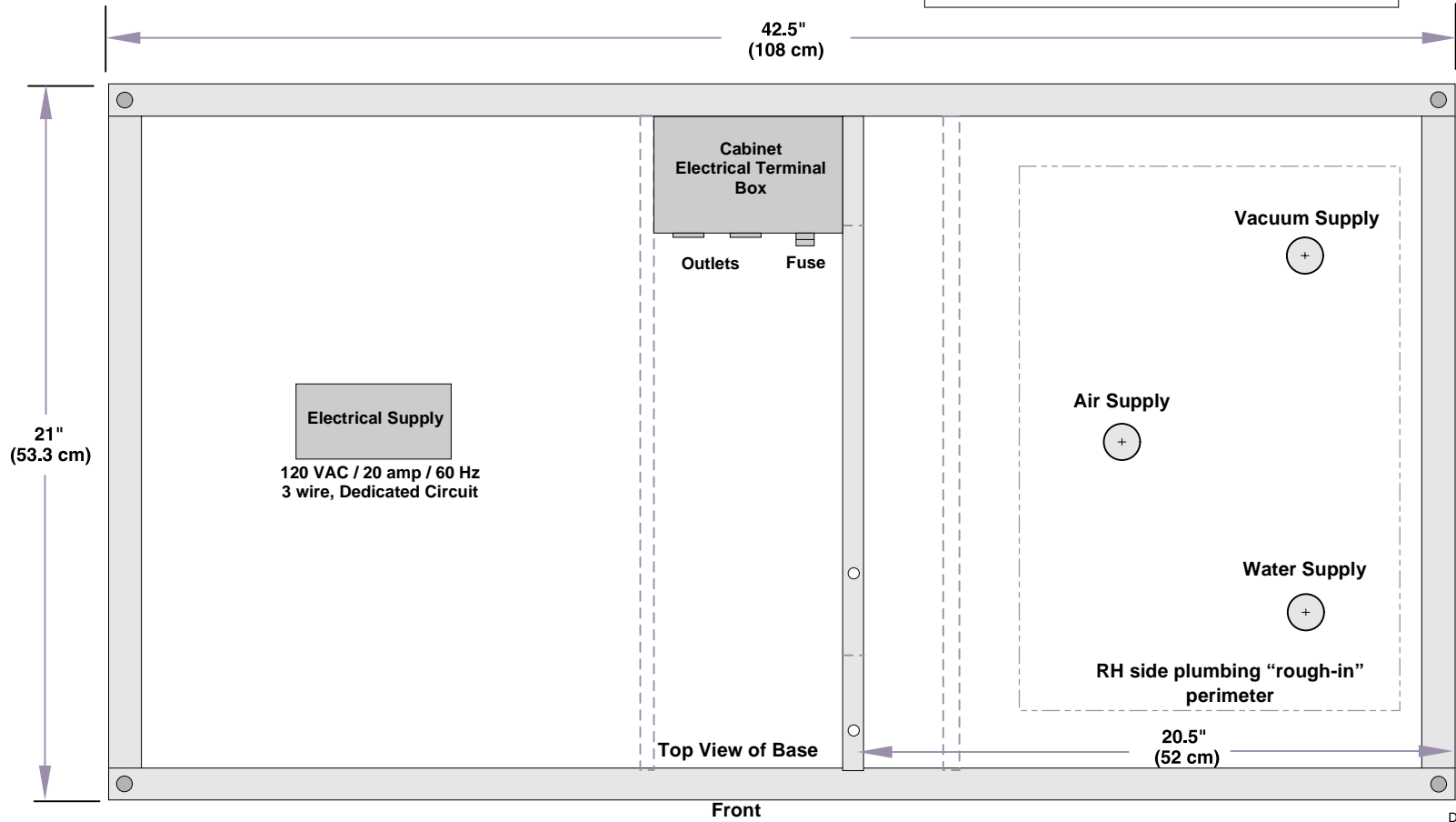
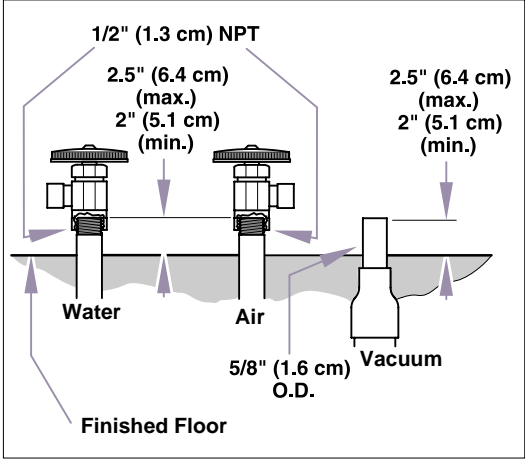
Be sure dimensional requirements are met before installing air and water connections. See **Figure 1**.



KA998700i

Figure 1. 12:00 Free-Standing Casework Dimensions

NOTE
 Install all utilities according to local codes and regulations. Contact a licensed plumber & electrician for installation.



CONNECTIONS DIAGRAM

Figure 4. Plumbing / Electrical Connections Diagram

WATER SUPPLY REQUIREMENTS

1/2 in. (13 mm) pipe NPT (supplied by contractor) protruding 2.0 to 2.5 in. (5.1 to 6.3 cm) above finished surface of floor. Manual shut-off valve (supplied by Midmark) to be installed by contractor.

Water pressure must be 30-50 (max.) PSI at the shut-off valve. Flush water plumbing clean before making final connections to dental equipment.

AIR SUPPLY REQUIREMENTS

1/2 in. (13 mm) pipe NPT (supplied by contractor) protruding 2.0 to 2.5 in. (5.1 to 6.3 cm) above finished surface of floor. Manual shut-off valve (supplied by Midmark) to be installed by contractor.

Air pressure must be 70-100 (max.) PSI at the shut-off valve. Flush air plumbing clean before making final connections to dental equipment.

VACUUM REQUIREMENTS

(Assistant's Instrument Units only)

Plumbing to junction box should be specified by central vacuum supplier and terminated in junction box with 5/8 in. (16 mm) O.D. tube protruding 2.0 to 2.5 in. (5.1 to 6.3 cm) above finished surface of floor.

