

Bien Air Curing Light Installation Guide

CONTENTS

Unpacking	1
Standard Handpiece Tubing Removal	1
Bien Air Curing Light Installation.....	2
Tubing Connection	3
Electrical Connections	3
Cover / Knob Installation	5
Operation.....	5

STANDARD HANDPIECE TUBING REMOVAL

NOTE

Determine which current handpiece position will be replaced with the Bien Air Curing Light. Ask unit owner to indicate preferred placement.

- (1) Press release button and lift cover of delivery unit. Using lid support rod, prop cover in fully open position.
- (2) Disconnect two pieces of 1/8 in. handpiece tubing (1, Figure 1) from kink valve assembly (2).
- (3) Disconnect 1/4 in. grey handpiece tubing (3) from 1/4 in. clear tubing (4).
- (4) Cut cable tie (5); then disconnect 1/4 in. grey handpiece tubing (6) from connector fitting (7).
- (5) Remove handpiece tubing (8) from delivery unit.

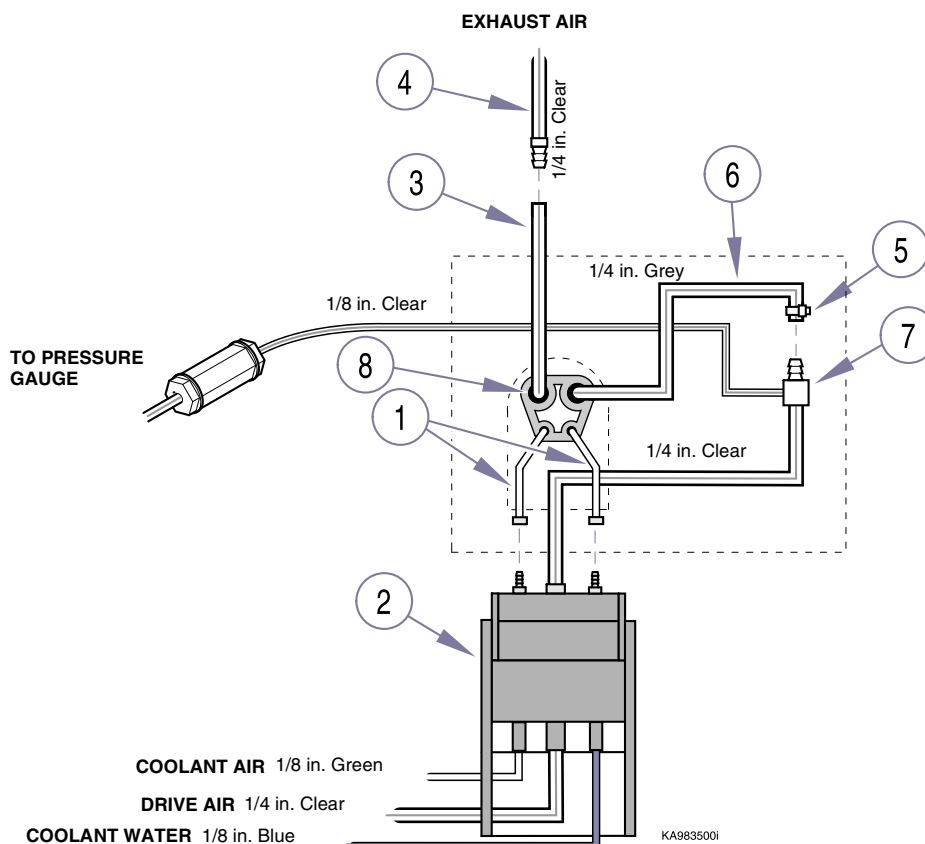


Figure 1. Standard Handpiece Tubing Removal

BIEN AIR CURING LIGHT INSTALLATION

NOTE

One of the two screws (3) will push down into top of control module when tightened; this is normal and will not damage the control module.

(1) Install electric handpiece bracket (1, Figure 2) on bottom side of delivery unit housing (2) and secure with two screws (3).

(2) Feed four 18" wires (4) [black, red, blue, and brown] up thru wire hole (A).

(3) Feed two 3/16 in. clear tubes (5) up thru wire hole (A).

(4) Run curing light handpiece tubing (5) up thru tubing hole (B) in delivery unit housing (2).

(5) Secure electric handpiece tubing (6) to delivery unit housing (2) with clamp pad (7) and cable tie (8).

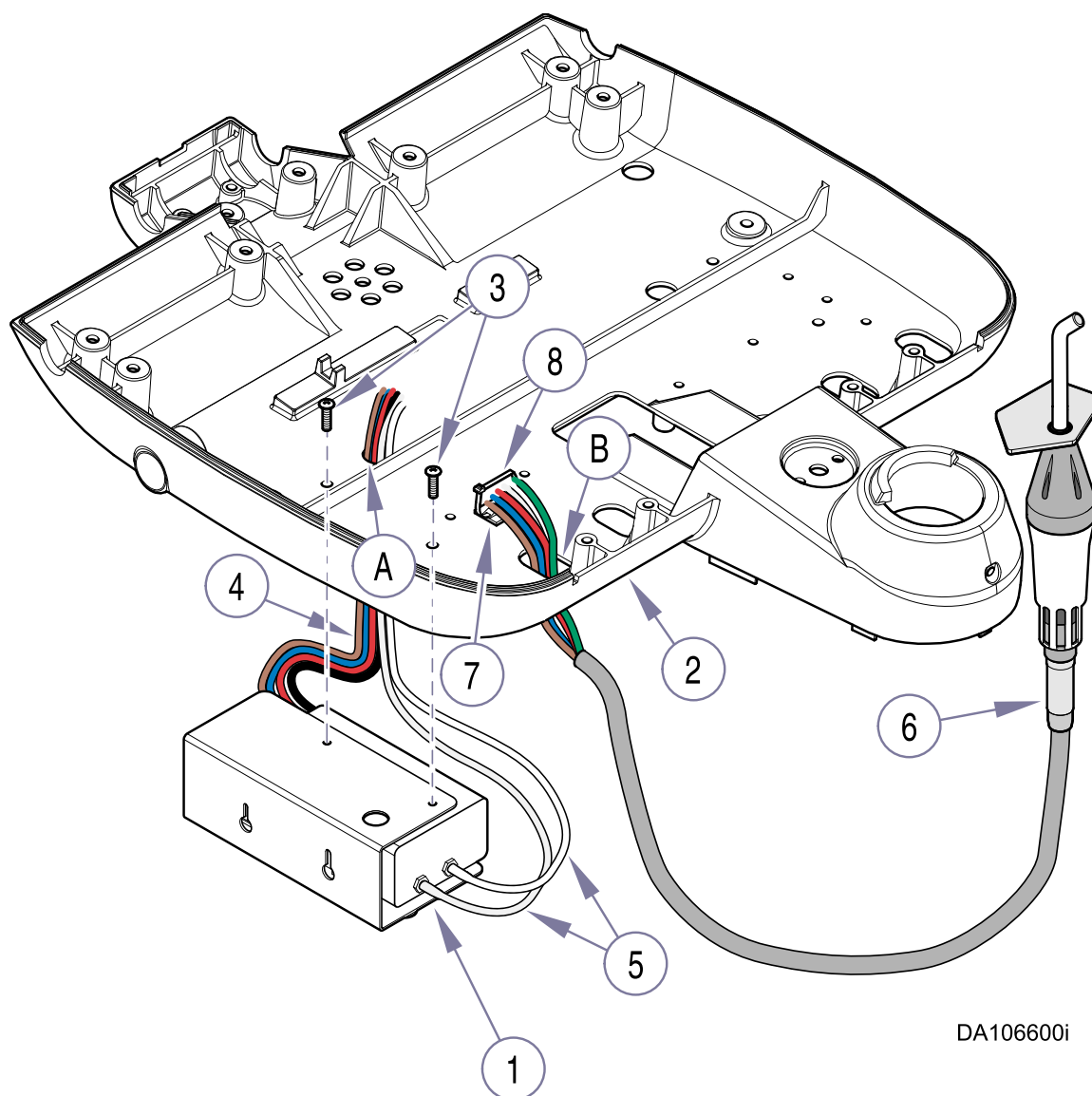


Figure 2. Electric Handpiece Components Installation

TUBING CONNECTIONS

NOTE

Install 1/4 in. sleeve clamps onto 1/4 in. tubing and 1/8 in. uni-clamps (included w/kit) onto 1/8 in. tubing before making connections in the following procedures.

- (1) Connect 1/8 in. green tubing (1, Figure 3) [from curing light tubing] to fitting (A) of kink valve (2). Secure tubing using 1/8 in. uni-clamp.

- (2) Connect 1/8 in. white tubing (3) [from curing light tubing] to fitting (B) of kink valve (2). Secure tubing using 1/8 in. uni-clamp.

- (3) Connect 1/4 in. clear tubing (4) [from curing light tubing] to tee (5) (provided with kit).

- (4) Cut off a 2 in. (5 cm) length of tubing (6) from the piece of 1/4 in. clear tubing provided with kit.

NOTE

1/4 in. sleeve clamps are not necessary to secure tubing on plastic fitting; only on metal ones.

- (5) Connect one end of 1/4 in. clear tubing (6) to tee (5) and the other end to fitting (7) [from drive air line of kink valve]. Secure tubing using 1/4 in. O.D. sleeve clamp.

- (6) Connect one end of 5 in. length of 1/4 in. clear tubing (8) to tee (5) and the other end to tee (9). Secure tubing using 1/4 in. O.D. sleeve clamp.

- (7) Connect one end of 8 in. length of 1/4 in. clear tubing (10) to tee (9) and the other end to fitting (11) [labeled "footcontrol" on Bien Air Control Module]. Secure tubing using 1/4 in. O.D. sleeve clamp.

- (8) Connect one end of 8 in. length of 1/4 in. clear tubing (12) to tee (9) and the other end to fitting (13) [labeled "holder" on Bien Air Control Module]. Secure tubing using 1/4 in. O.D. sleeve clamp.

- (9) Connect 1/4 in. red tubing (14) [from curing light tubing] to fitting (15) [exhaust air line]. Secure tubing using 1/4 in. O.D. sleeve clamp.

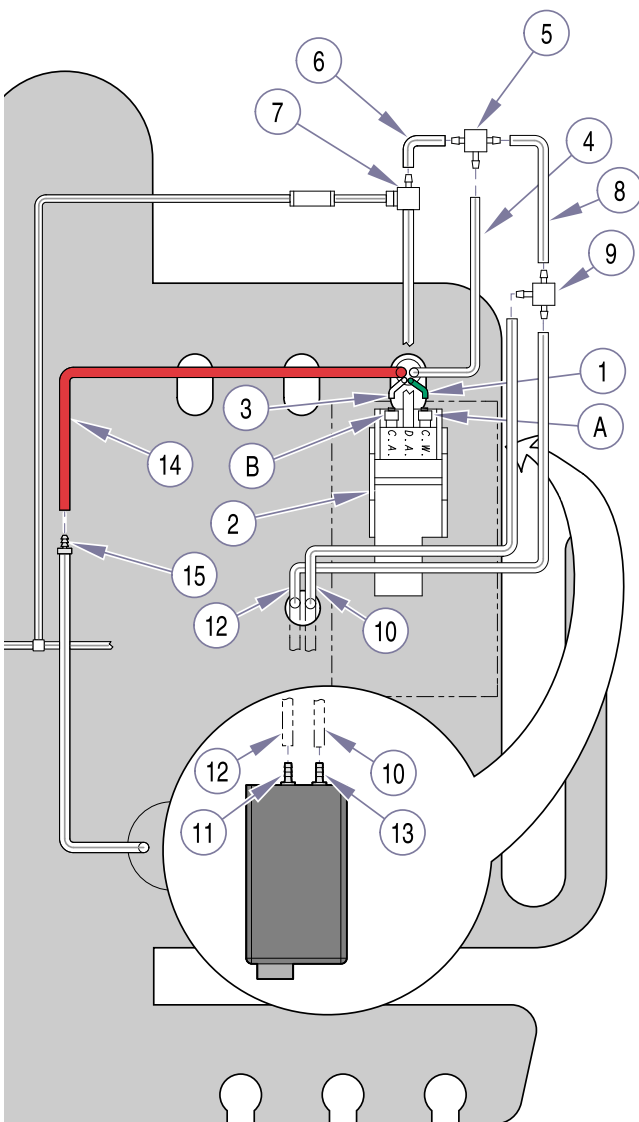
ELECTRICAL CONNECTIONS

NOTE

Terminals A and B of green connector on control module are labeled **Bulb (OUTPUT)**.

- (1) Connect one end of black wire (1, Figure 4) to terminal (2) [labeled "0"]. Secure wire by tightening terminal screw.
Connect other end of black wire (1) to terminal A. Secure wire by tightening terminal screw.

- (2) Connect one end of red wire (3, Figure 4) to terminal (4) [labeled "24"]. Secure wire by tightening terminal screw.
Connect other end of red wire (3) to terminal B. Secure wire by tightening terminal screw.



DA106700i

Figure 3. Electric Handpiece Tubing Connections

(3) Cut red and black wires (5) [from curing light tubing] off at base of tubing. These wires will not be used.

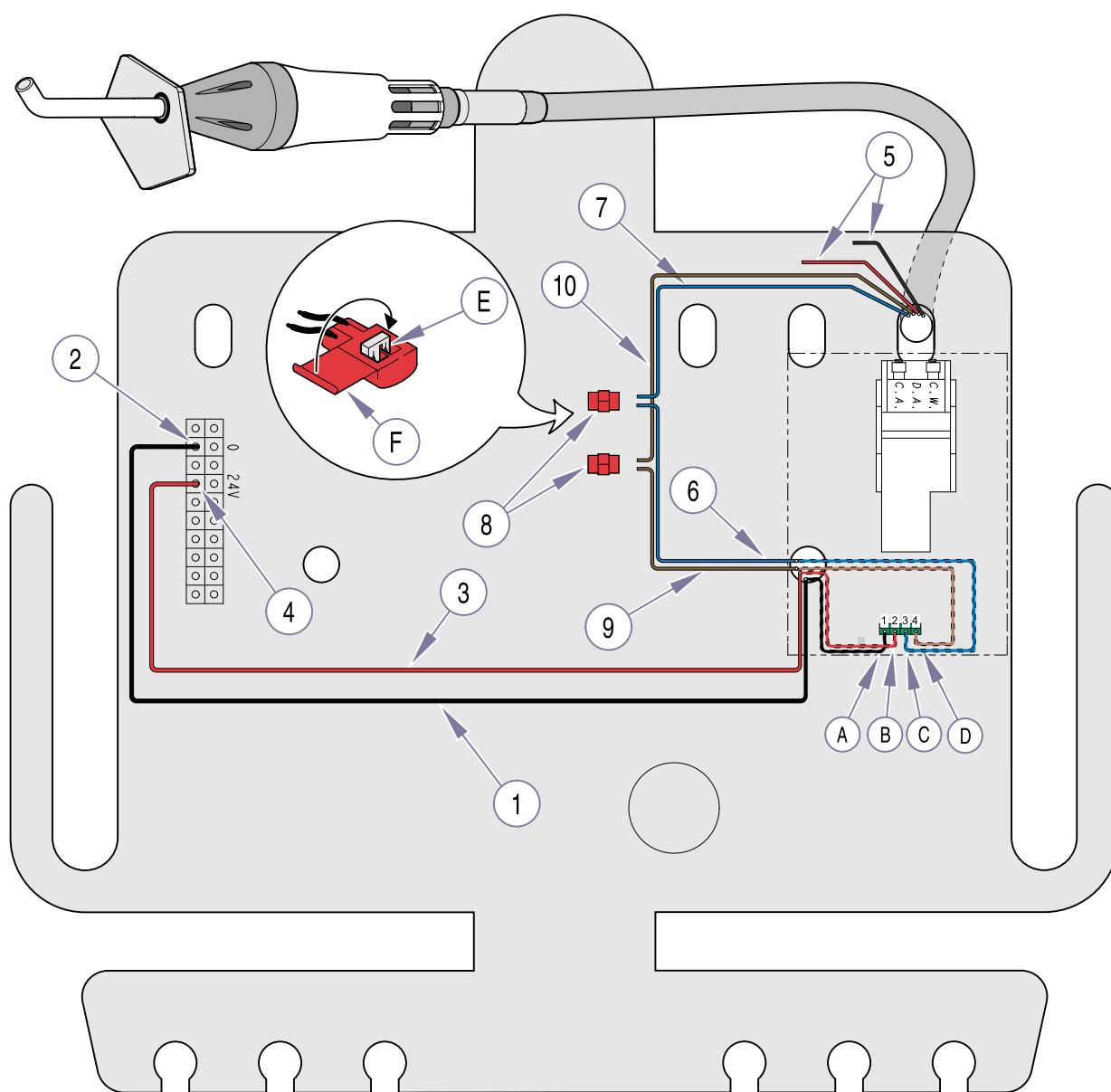
NOTE

To use wire connector (8), fully insert two unstripped wires into connector. Using pliers, squeeze wire spade (E) down onto two wires. Then, snap lid (F) shut to cover connections.

Also, Terminals C and D of green connector on control module are labeled **24 VAC (INPUT)**.

(4) Connect one end of blue wire (6) to terminal C [on control module]. Secure wire by tightening terminal screw. Connect the other end of blue wire (6) to blue wire (7) [from curing light tubing] with a connector (8).

(5) Connect one end of brown wire (9) to terminal D [on control module]. Secure wire by tightening terminal screw. Connect the other end of brown wire (9) to brown wire (10) [from curing light tubing] with a connector (8).



DA106800i

Figure 4. Electrical Connections

COVERS / KNOB INSTALLATION

- (1)** Wire tie any wires or tubing up out of way as necessary.
- (2)** Install handpiece cover (1, Figure 5) on handpiece bracket (2) and secure with two screws (3).

OPERATION

Refer to Bien Air Curing Light Instruction Manual (supplied with this kit) for instructions on operation.

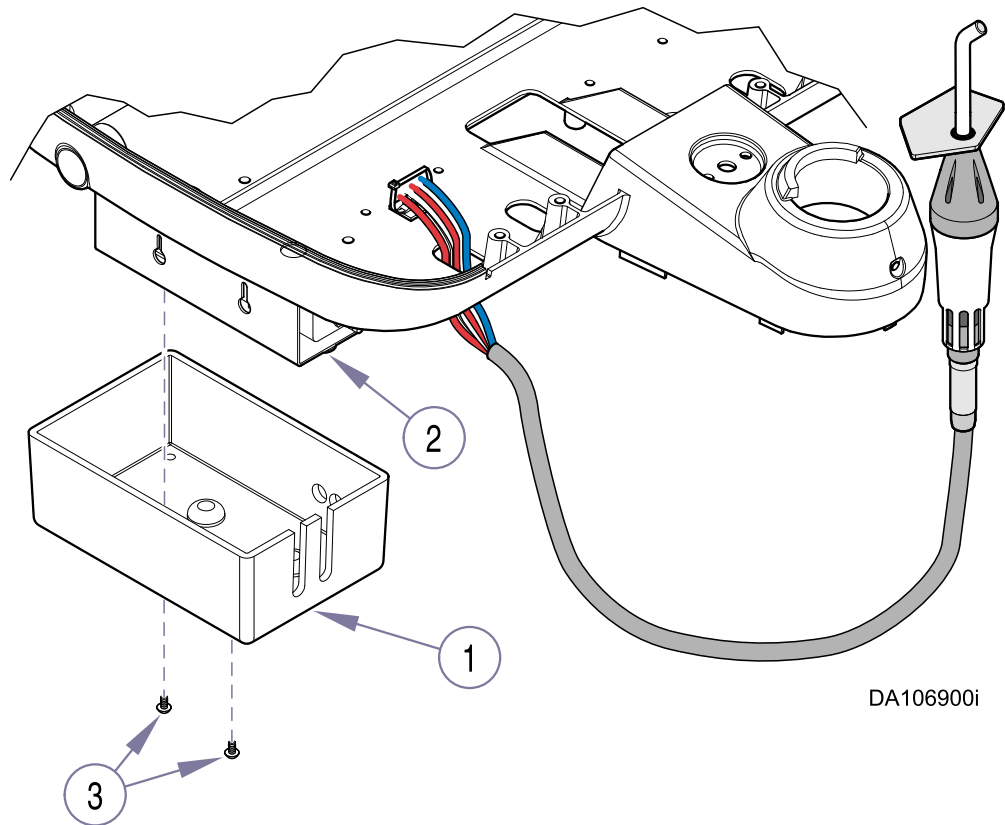
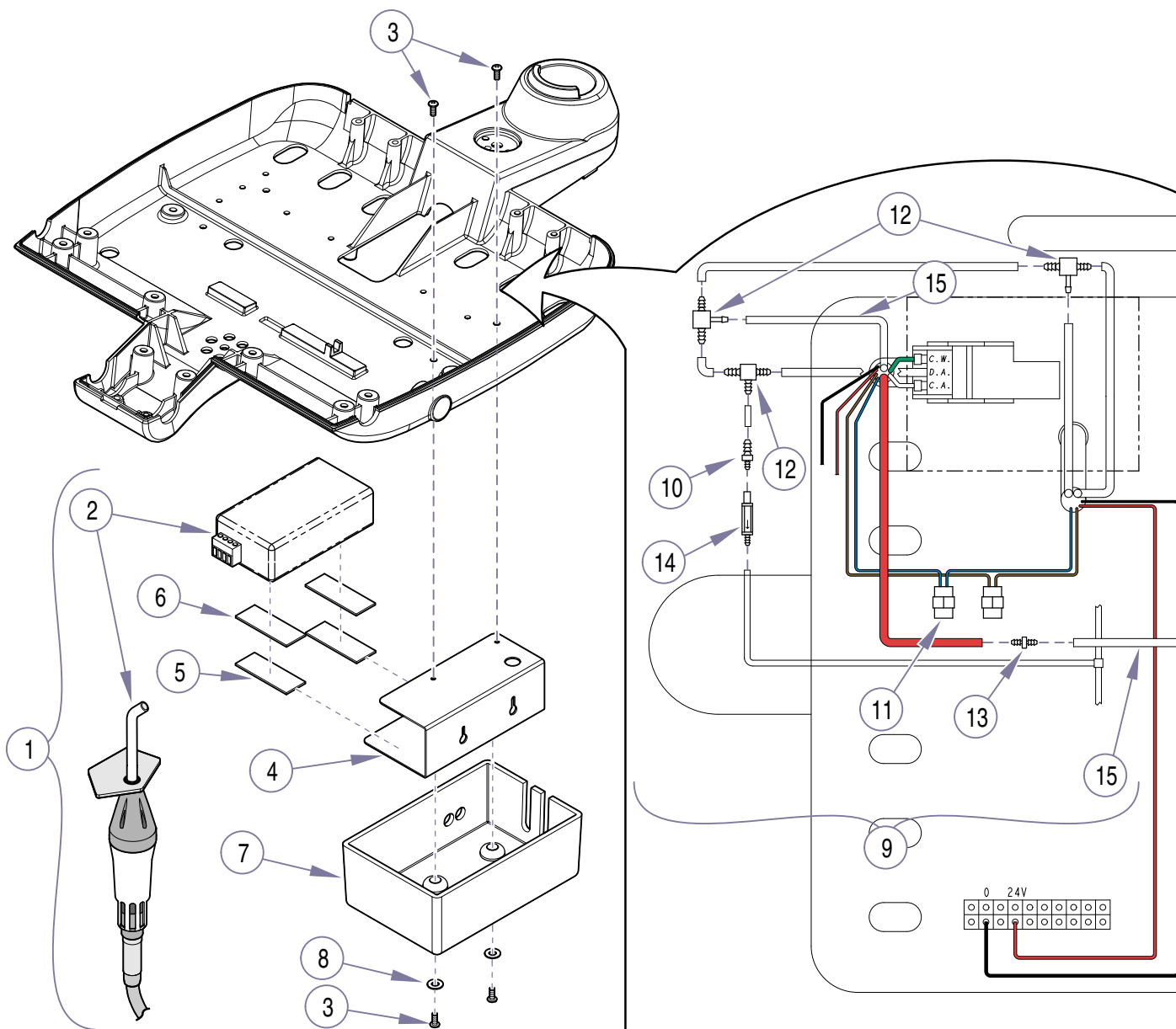


Figure 5. Covers and Knobs Installation

Bien Air Curing Light (153672 - Factory) (153672-001 - Field)



DA106501i

Item	Part No.	Description	Qty	Item	Part No.	Description	Qty
	153672	Bien Air Curing Light - Factory Installed (includes items 1 thru 9)	Ref	10	•• 117739	•• Fitting (10-32 x 1/16)	1
	153672-001	Bien Air Curing Light - Field Installed (includes items 1 thru 22)	Ref	11	•• 117244	•• Connector.....	2
1	• 029-2831-00	• Curing Light Box Assembly	1	12	•• 117478	•• Fitting (1/8 Barb Tee).....	3
2	•• 002-0700-00	•• Curing Light Kit	1	13	•• 117482	•• Fitting (1/8 to 1/8)	2
3	•• 040-0006-97	•• Screw.....	4	14	•• 117698	•• Check Valve	1
4	•• 050-4997-50	•• Electric Handpiece Bracket.....	1	15	•• 177606	•• Tubing, Clear (in inches) Qty: 2 - xx in.	
5	•• 053-0105-33	•• Velcro Loop (3/4" x 2")	2	16	•• 123058	•• Clamp Pad (not shown)	1
6	•• 053-0131-31	•• Velcro Hook (3/4" x 2")	2	17	•• 102308	•• Cable Tie (not shown)	1
7	•• 053-1197-03	•• Curing Light Cover.....	1	18	•• 275457	•• Red Wire (in inches) (not shown) ...	12
8	•• P12572	•• Washer	2	19	•• 176396	•• Black Wire (in inches) (not shown) .	12
9	• 029-2832-00	• Curing Light Tubing Assy. (includes items 10 thru 21).....	1	20	•• 177414	•• Blue Wire (in inches) (not shown) ..	12
				21	•• 175760	•• Brown Wire (in inches) (not shown) 12	
				22	• 003-1273-00	• Installation Instructions (not shown) ...	1