

Side Delivery Unit Installation

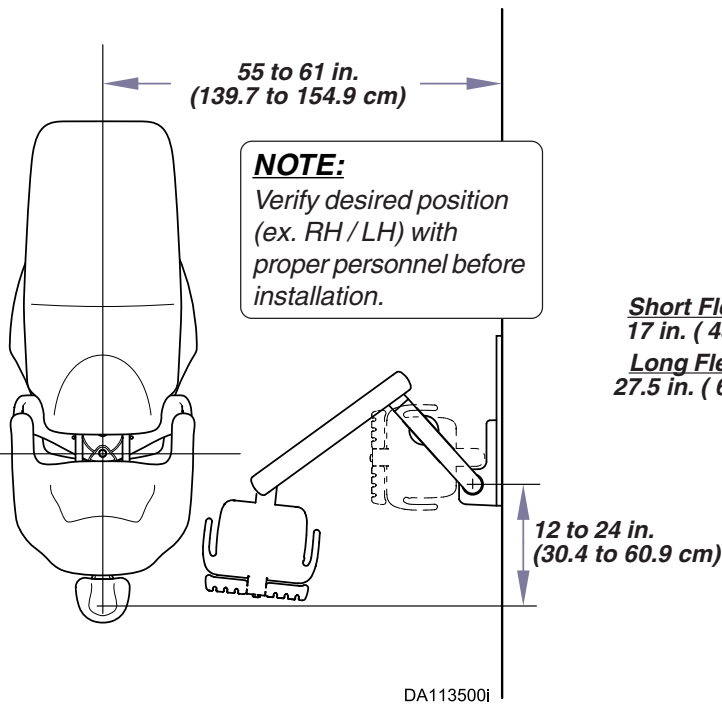


CONTENTS

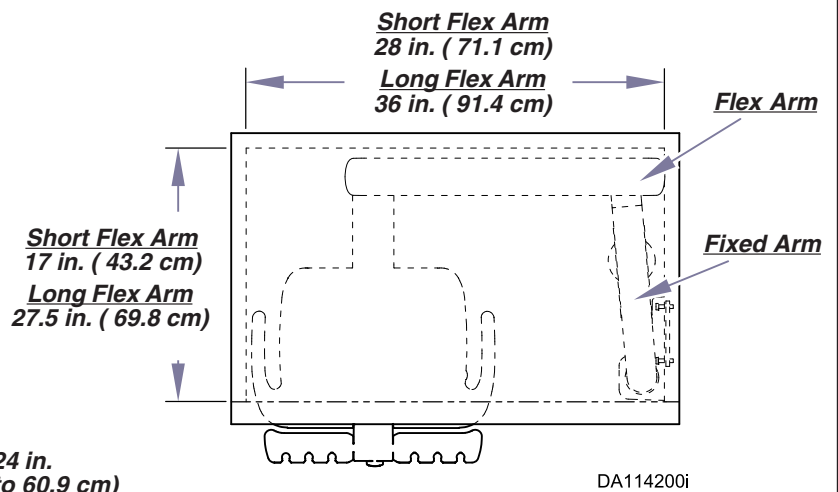
Mounting Location	1
Minimum Cabinet Size Requirements	1
Mounting Requirements	1
Regulator Installation	2
Cabinet Mount Bracket Installation	2
Wall Mount Bracket Installation	3
Bearing Bracket Installation	4
Unit Arm Installation	5
Stop Pin Installation	5
Flex Arm Lock Activation & Leveling	6
Tubing Connections	7
Dimensions, Range of Motion	8

Electrical Requirements: 24VAC, 3.2 amp
13VAC, 2.0 amp

Mounting Location



Minimum Cabinet Size Requirements (Side Delivery)



Mounting Requirements

Mounting Structure

The mounting structure must be capable of supporting the weight / torque listed below without deflection:

Unit / Arm Assembly

Weight (Maximum) 50 lbs (22.6 kgs.)

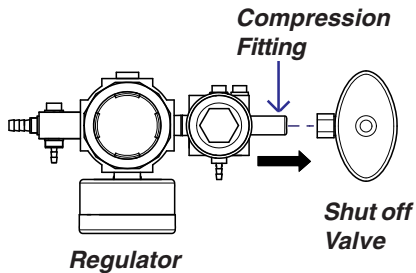
Torque (Maximum) 170.8 ft-lbs. (231.5 N•M)

To prevent the unit from drifting, the mounting plate must deflect no more than 1/16" (1.6 mm) over a 12" (30.5) distance.

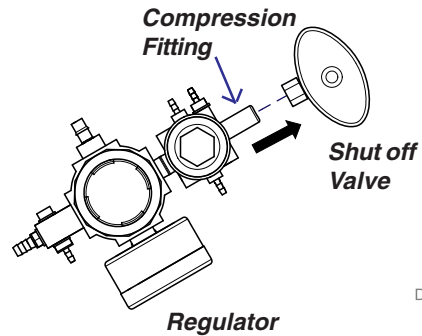
Regulator Installation

Step 1: Insert regulator assembly into compression fitting of shut-off. Tighten compression fitting.

WATER REGULATOR



AIR REGULATOR



DA3789i

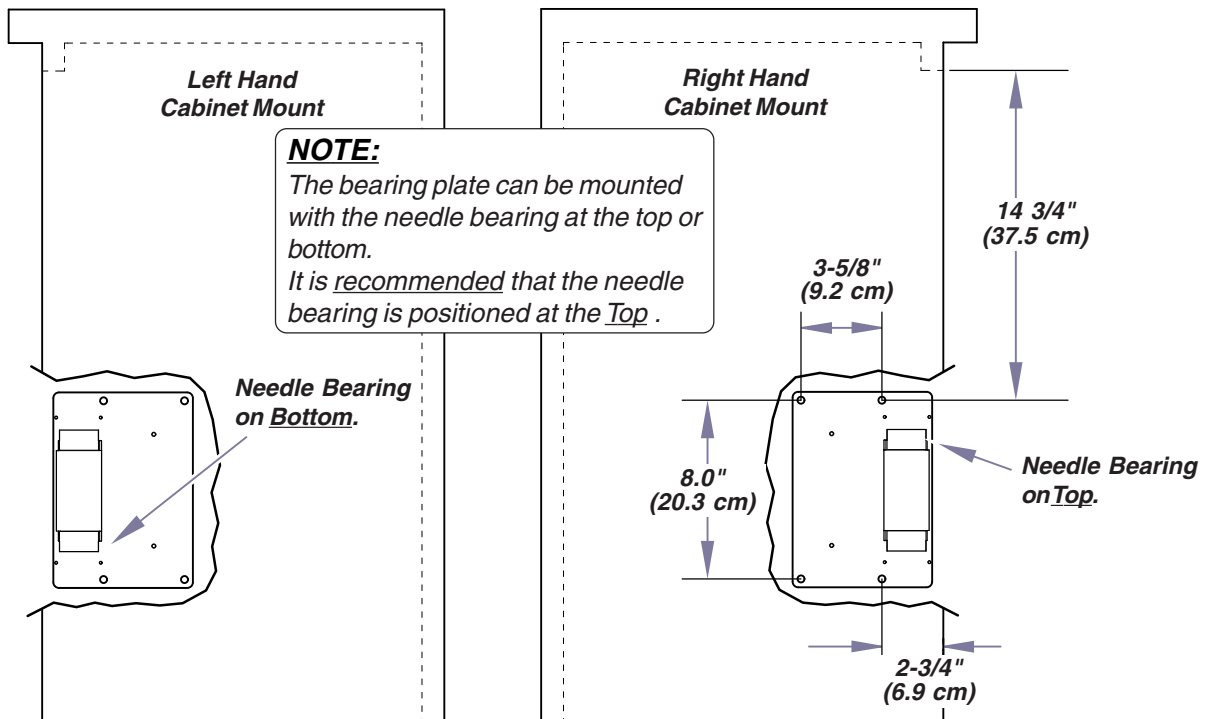
Cabinet Mount Bracket Installation

(Cabinet Mount Units Only)

NOTE:

Midmark Freestanding Center Console cabinets are pre-drilled and it is not necessary to do the following step.

Step 1: Using the below dimensions, mark position of four mounting holes for bearing plate. Use a 1/4" drill bit to drill holes.



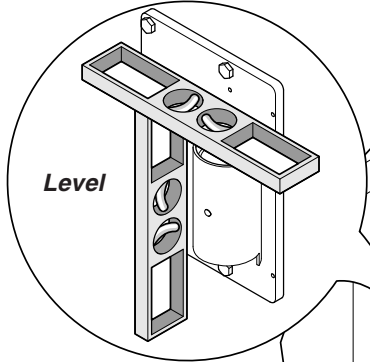
NOTE:

The bearing plate can be mounted with the needle bearing at the top or bottom. It is recommended that the needle bearing is positioned at the Top.

DA168500i

Cabinet Mount Bracket Installation (continued)
(Cabinet Mount Units Only)

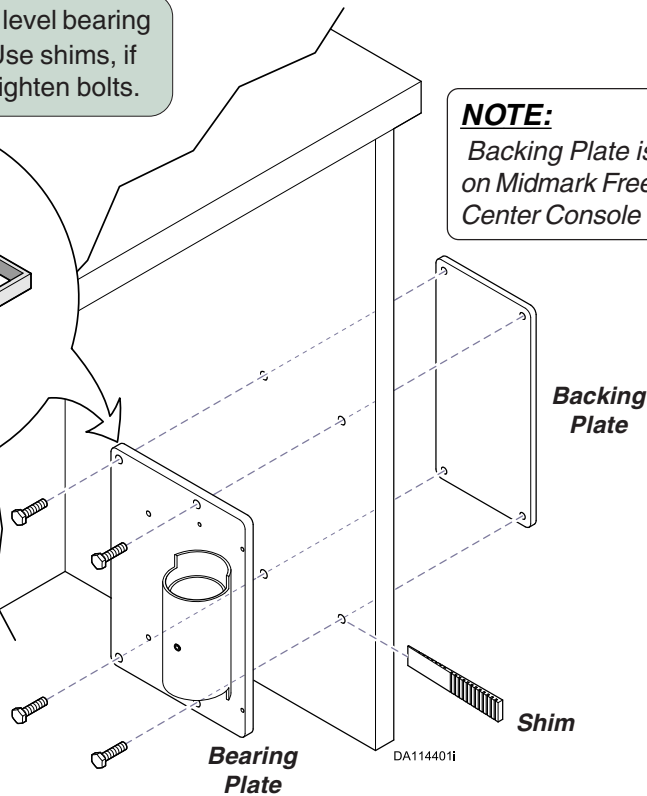
Step 3: Loosen bolts and level bearing mounting plate. Use shims, if necessary, then tighten bolts.



Level

NOTE:
Backing Plate is not required on Midmark Freestanding Center Console Cabinets.

Step 2: Align mounting holes and install appropriate mounting bolts. Bolts are provided in 1" and 2 1/4" lengths.



Backing Plate

Bearing Plate

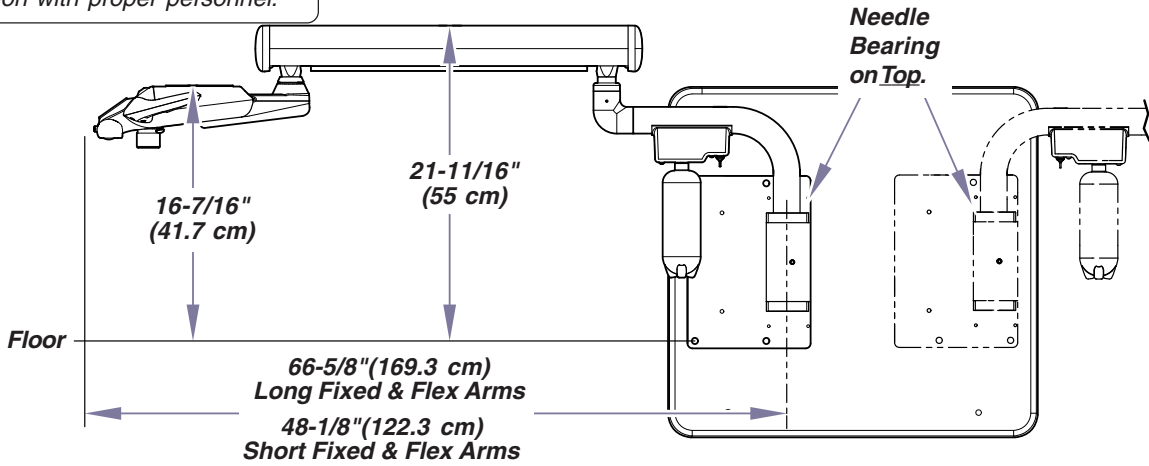
Shim

DA114401i

Wall Mount Bracket Installation
(Wall Mount Units Only)

NOTE:
Wall mounted units may be mounted at any height.
Verify position with proper personnel.

NOTE:
The bearing plate can be mounted with the needle bearing at the top or bottom.
It is recommended that the needle bearing is positioned at the Top.



Floor

16-7/16"
(41.7 cm)

21-11/16"
(55 cm)

66-5/8" (169.3 cm)
Long Fixed & Flex Arms
48-1/8" (122.3 cm)
Short Fixed & Flex Arms

Needle Bearing on Top.

NOTE:
Product can be configured to use either Fixed Arm with either Flex Arm.

DA114501i

Wall Mount Bracket Installation

(Wall Mount Units Only)



Equipment Alert

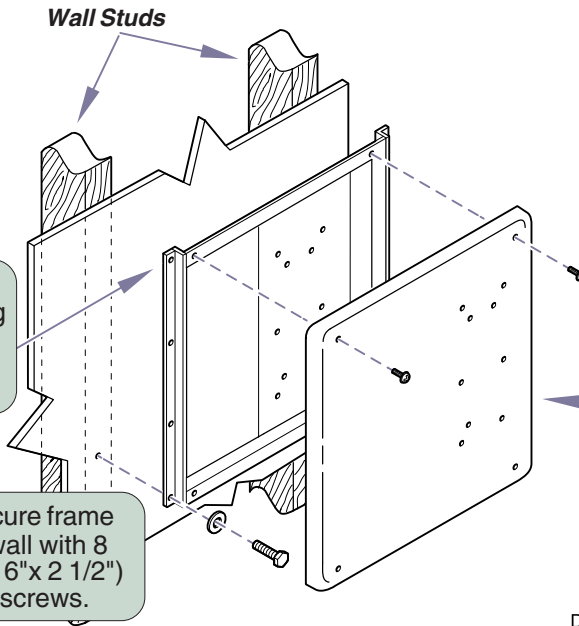
Mounting Holes **MUST** be aligned with wall studs. Failure to comply could cause delivery unit to fall and damage unit and wall structure.

Wall Studs

Step 1: Locate wall studs. Align 8 holes in mounting plate with studs. Mark and drill pilot holes (Use 1/4" drill bit).

Step 2: Secure frame to wall with 8 (5/16" x 2 1/2") lag screws.

Step 3: Install mounting cover using 4 #10-32 x 3/8" screws.



DA114604i

Bearing Bracket Installation

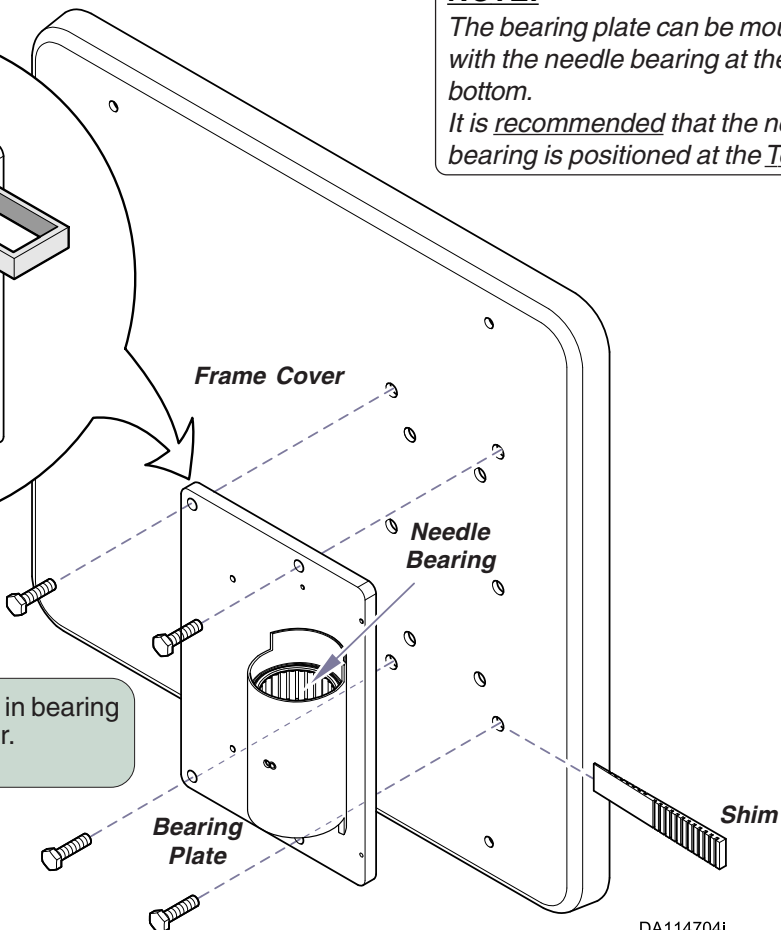
NOTE:

The bearing plate can be mounted with the needle bearing at the top or bottom. It is recommended that the needle bearing is positioned at the Top.

Level

Step 2: Loosen bolts and level bearing mounting plate. Use shims, if necessary, then tighten bolts.

Step 1: Align mounting holes in bearing plate and frame cover. Install four screws



DA114704i

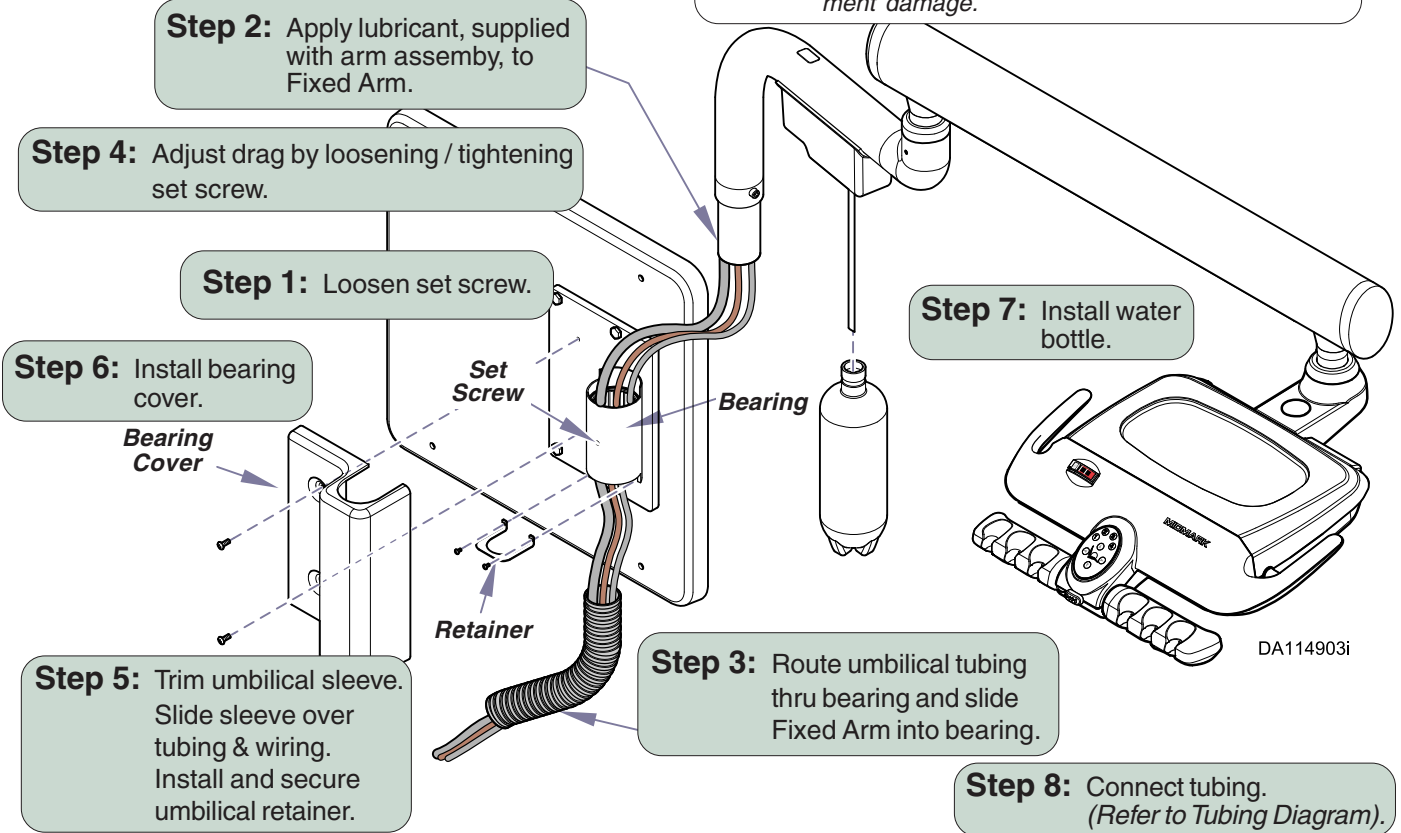
Unit Arm Installation

(Cabinet & Wall Mount Units)



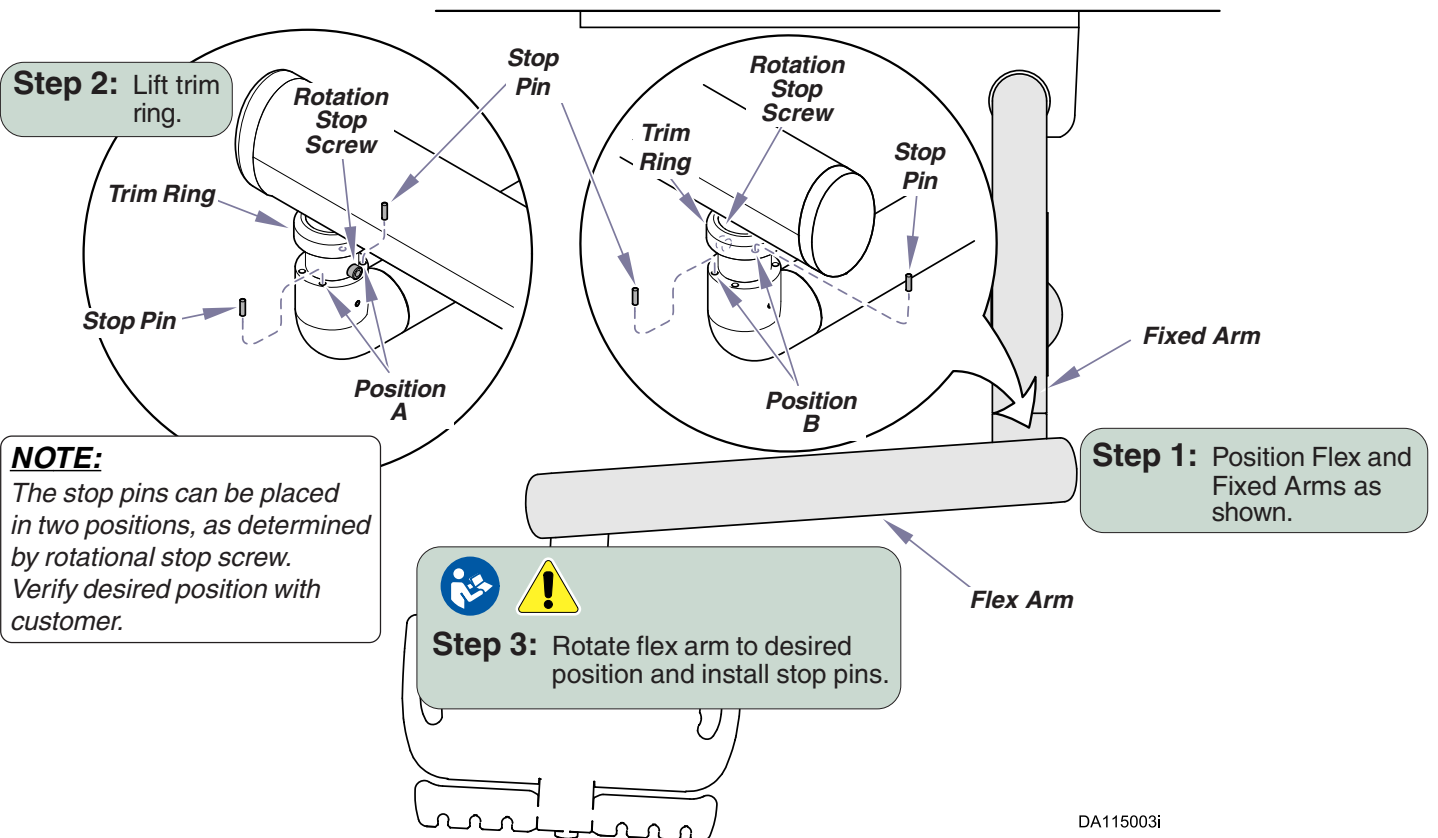
Equipment Alert

All pivot points must be secure when installing unit arm. Failure to comply could result in equipment damage.



Stop Pin Installation

(Cabinet & Wall Mount Units)



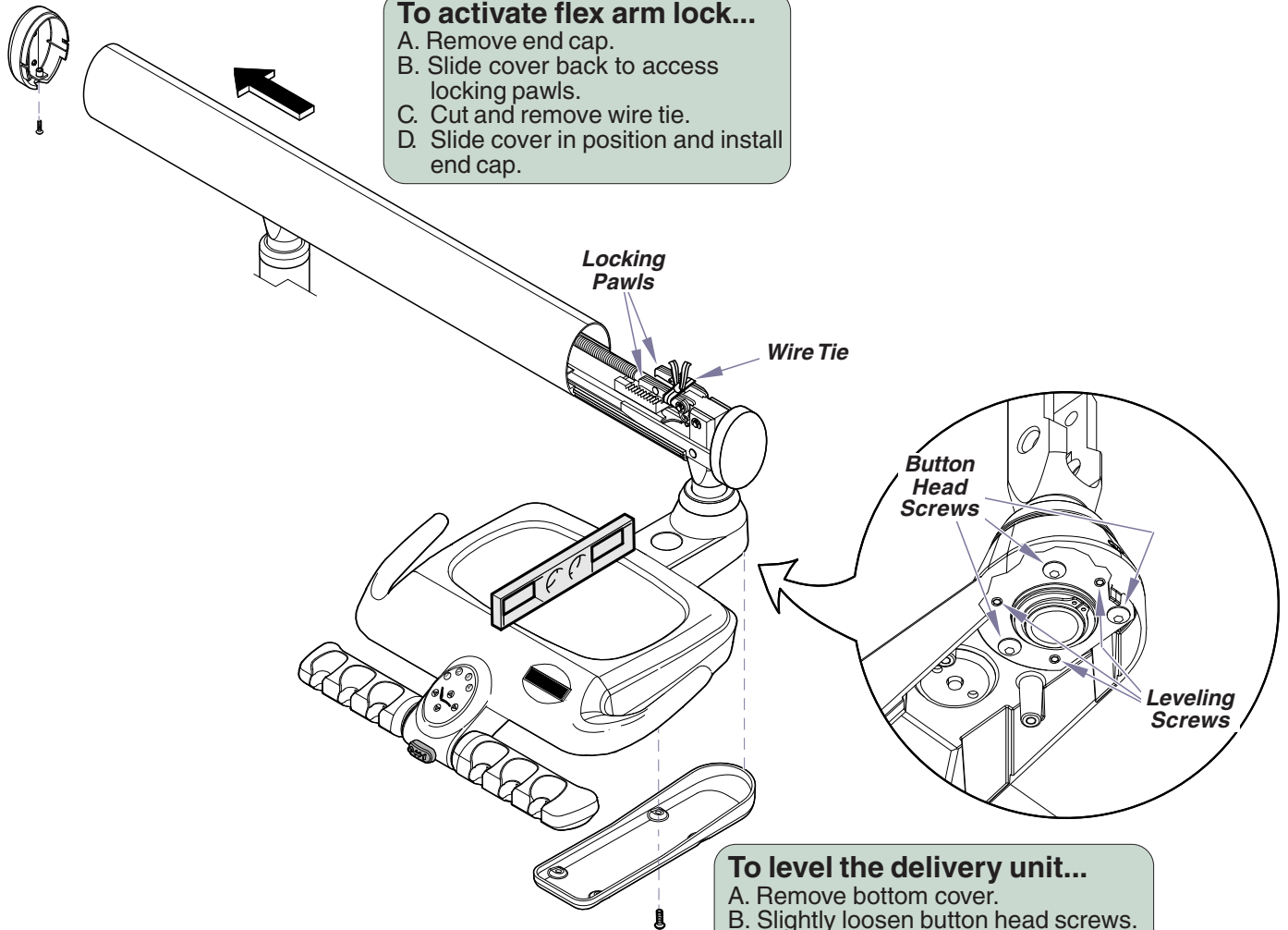
**Flex Arm Lock Activation /
Leveling the Delivery Unit.**

NOTE:

The following procedures should be performed after installation of entire operatory is complete.

To activate flex arm lock...

- A. Remove end cap.
- B. Slide cover back to access locking pawls.
- C. Cut and remove wire tie.
- D. Slide cover in position and install end cap.

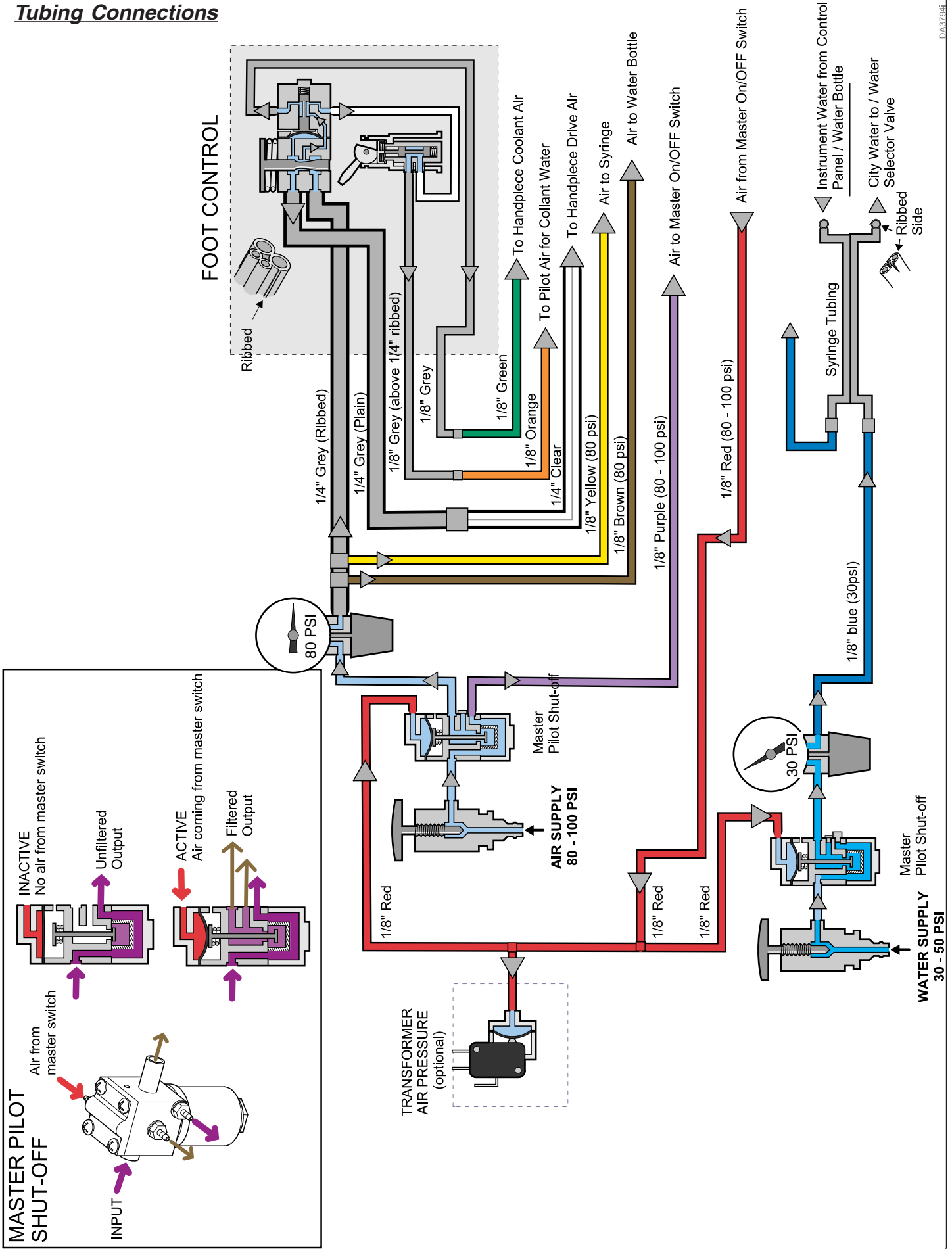


To level the delivery unit...

- A. Remove bottom cover.
- B. Slightly loosen button head screws.
- C. Adjust leveling screws until delivery unit is level.
- D. Tighten button head screws.
- E. Install cover.

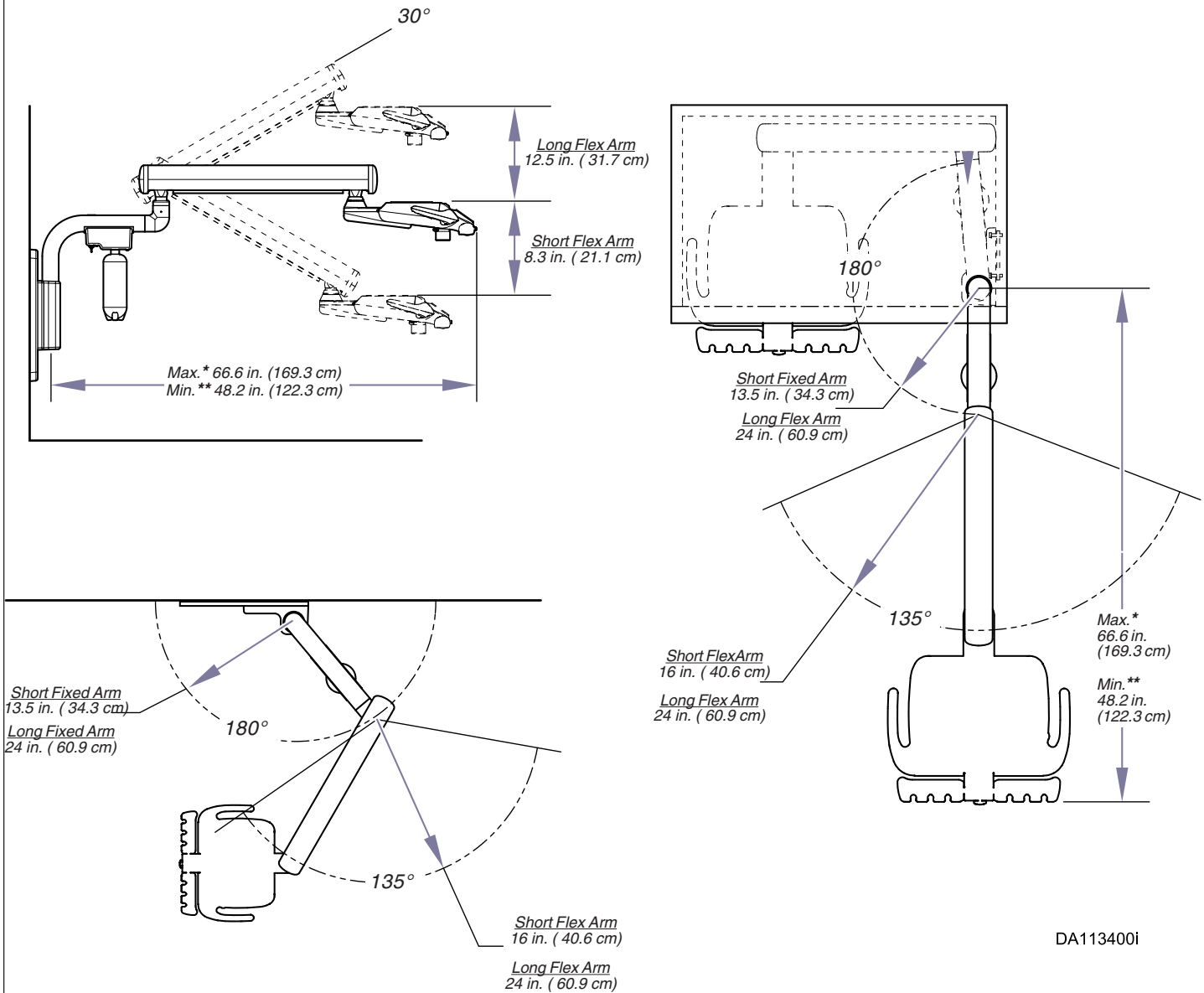
DA115102i

Tube Connections



DA3794f

Dimensions, Range of Motion



DA113400i

* Measurement w/ long fixed arm & long flex arm (Standard w/ wall mounted unit).]

** Measurement w/ short fixed arm & short flex arm (Standard w/ cabinet mounted unit).

NOTE:

Product can be configured to use either fixed arm w/ either flex arm.

Midmark Corporation
60 Vista Drive
P.O. Box 286
Versailles, OH 45380-0286
937-526-3662
Fax 937-526-5542
www.midmark.com



Because we care.