

X-Ray View Box Installation

[153702 (-001 / -002)]



Parts Bag Contents

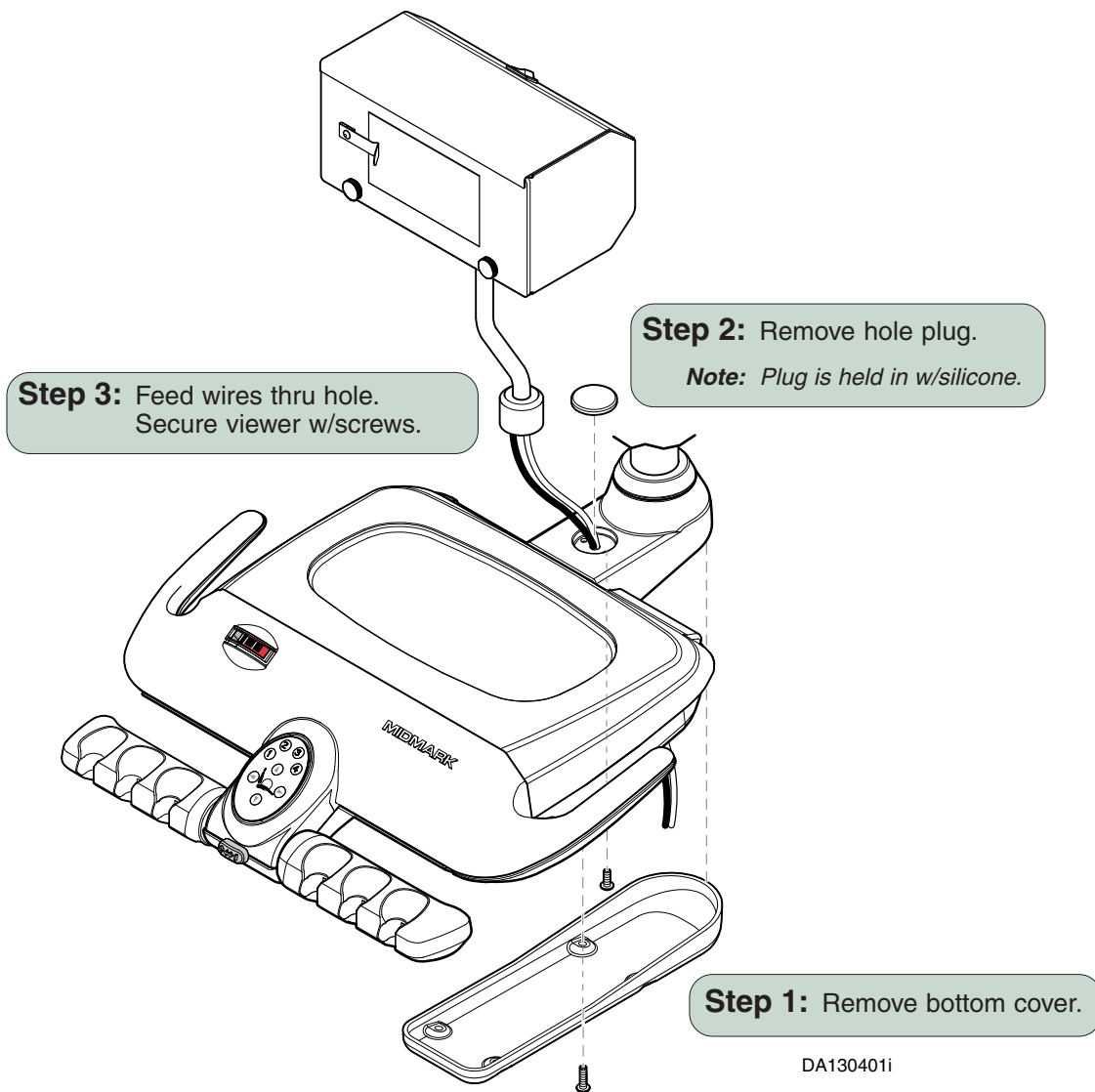
Screws 2

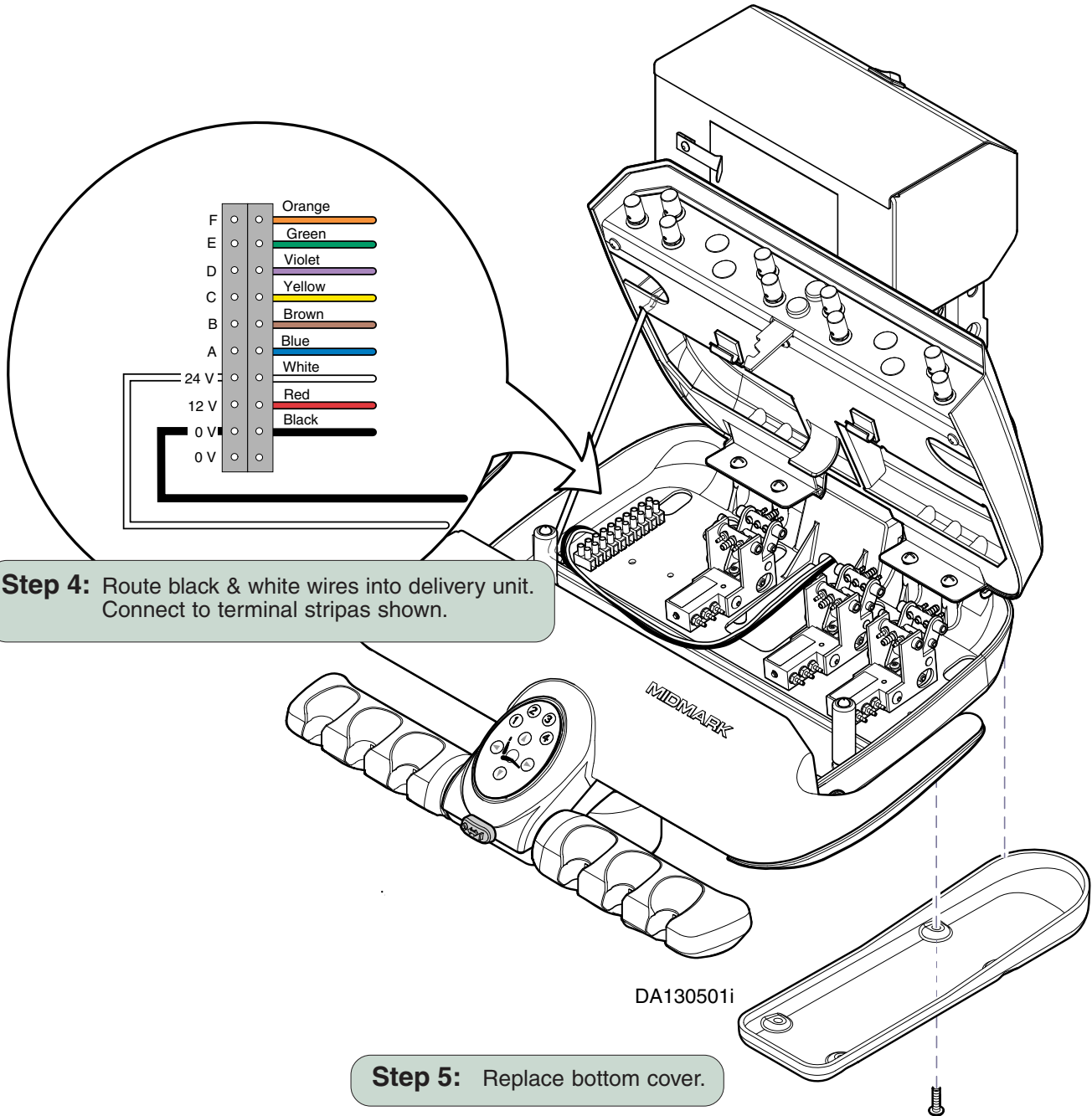
Special Tools

none

Intended Use

To provide a unit mounted station for viewing x-rays.





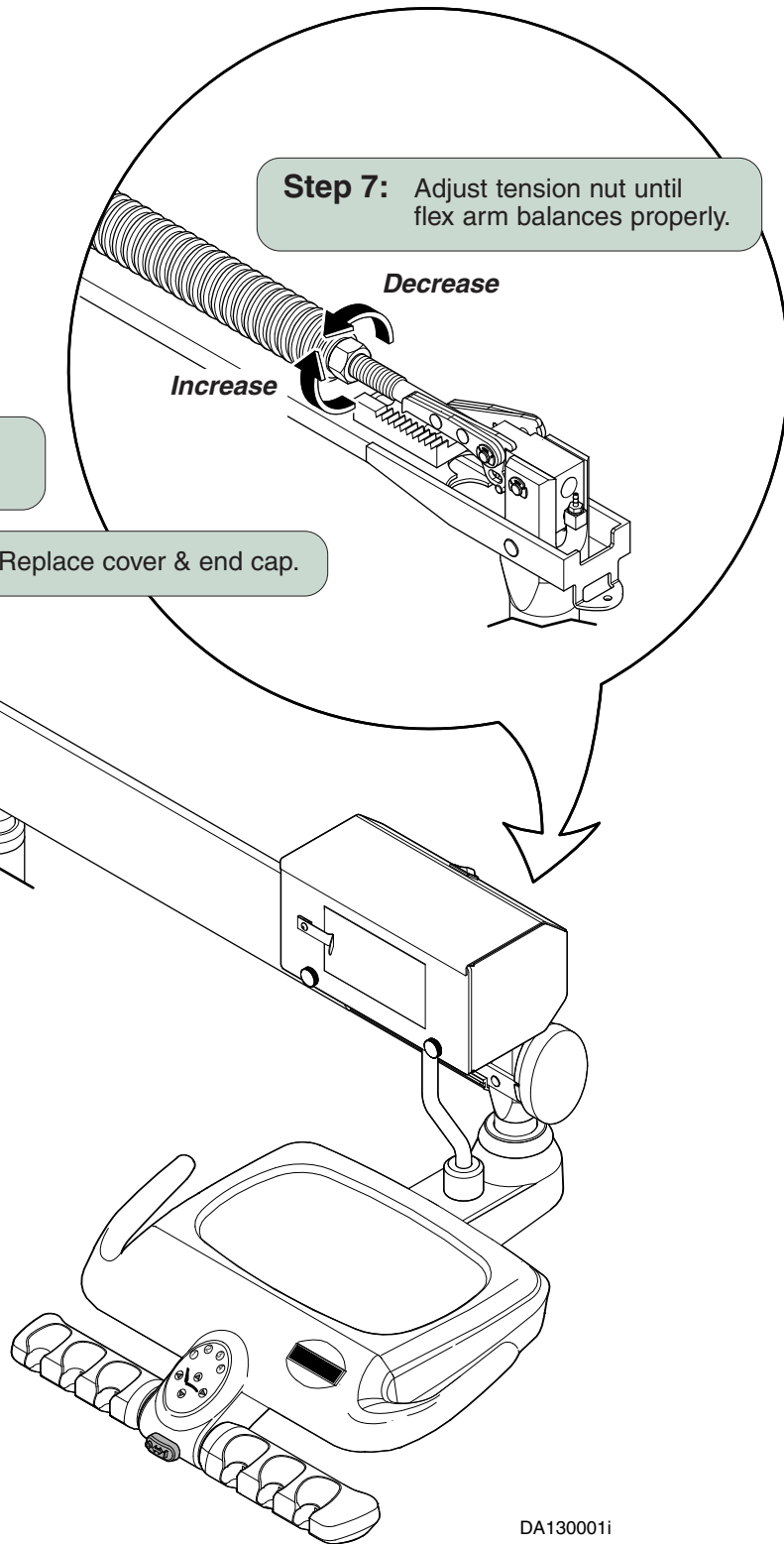
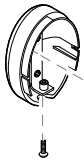
Step 7: Adjust tension nut until flex arm balances properly.

Decrease

Increase

Step 6: Remove end cap.
Slide flex arm cover back.

Step 8: Replace cover & end cap.



DA130001i

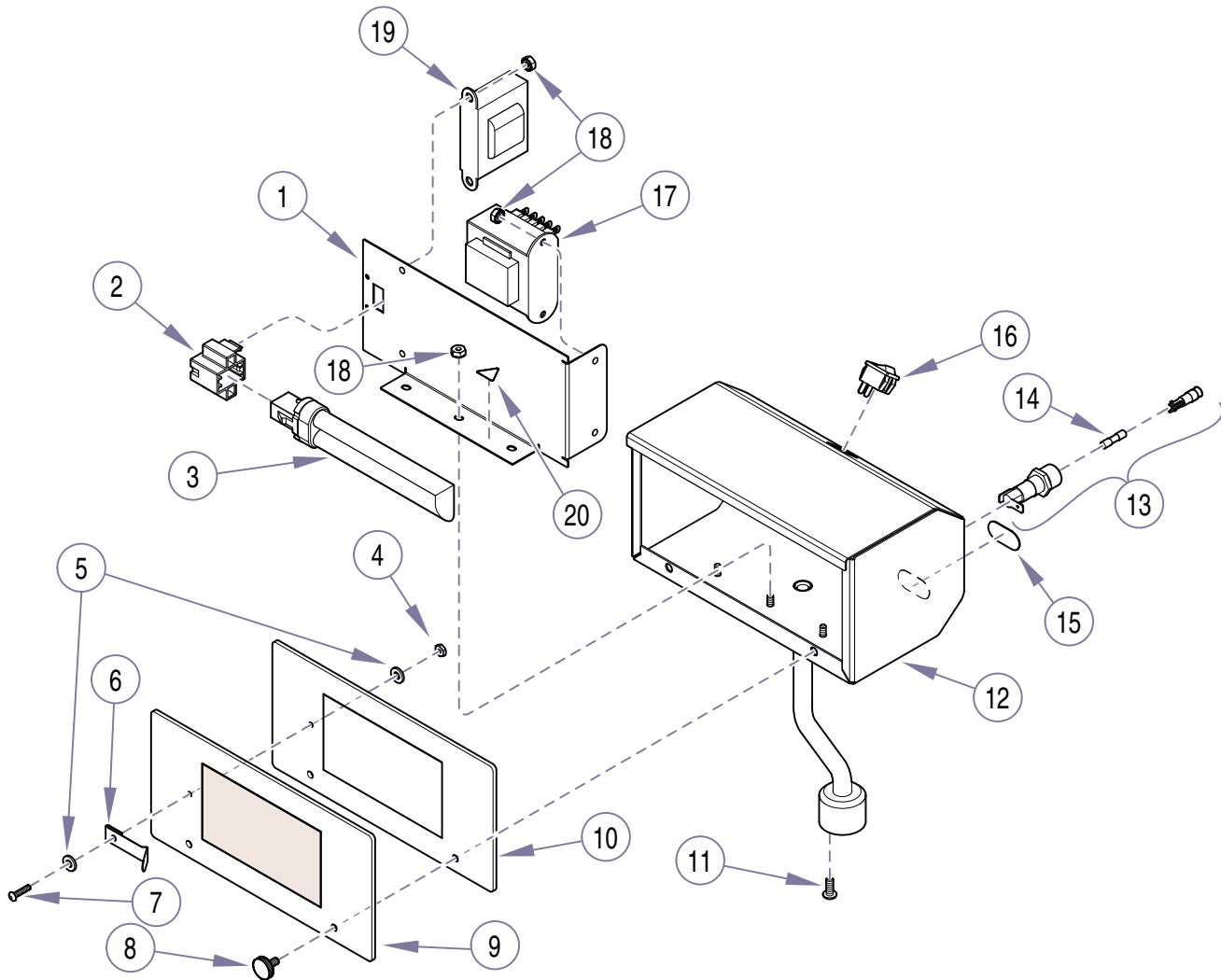
Midmark Corporation
60 Vista Drive
P.O. Box 286
Versailles, OH 45380-0286
937-526-3662
Fax 937-526-5542
www.midmark.com



Because we care.

X-Ray Viewer (153702)

ACCESSORY PARTS LIST



DA132300i

Item	Part No.	Description	Page	Item	Part No.	Description	Page
	153702-002	Midmark X-Ray Viewer (incl. items 1 thru 17).....	Ref	10	• 016-0950-00	• Viewing Screen	1
1	• 029-3028-00	• Inner Mount PEM Assembly	1	11	• 040-0010-144	• Screw	2
2	• 015-1649-00	• Bulb Holder	1	12	• 030-1456-50	• View Box Weldment	1
3	• 015-1648-00	• Bulb	1	13	• 015-1259-03	• Fuse Holder	1
4	• 041-0006-03	• Nut	1	14	• 015-0346-34	• Fuse (2 amp, 250 V, Time-Delay)	1
5	• P1673	• Washer	2	15	• 061-0867-00	• Fuse Replacement Label	1
6	• 058-0001-04	• Bag Clip	1	16	• 015-1086-00	• Rocker Switch	1
7	• 040-0006-86	• Screw	1	17	• 015-1659-00	• Transformer	1
8	• 149730	• Thumbscrew	2	18	• 122358	• Nut	7
9	• 061-0866-00	• Viewing Screen Label	1	19	• 029-3204-00	• Ballast	1
				20	• 061-0654-00	• Caution Label	1

Always Specify Model & Serial Number