

Installation Instructions



002-0732-00 Work Surface Support Bracket Kit

Kit Components

<i>Description</i>	<i>Part Number</i>	<i>Qty</i>
Support Bracket.....	051-1035-50	1
Caution Label	061-0849-00	1
Drywall Screws:		
#8 x 1-1/2"	040-0008-53	3

Installation

- (1) Swing work surface arm (1, Figure 1) to side.
- (2) Align center hole (A) in support bracket (2) with hole (B) in mounting plate (3); secure with screw (4).
- (3) Swing work surface arm (1) as necessary to install two screws (5).
- (4) Apply label (6) to work surface arm (1).

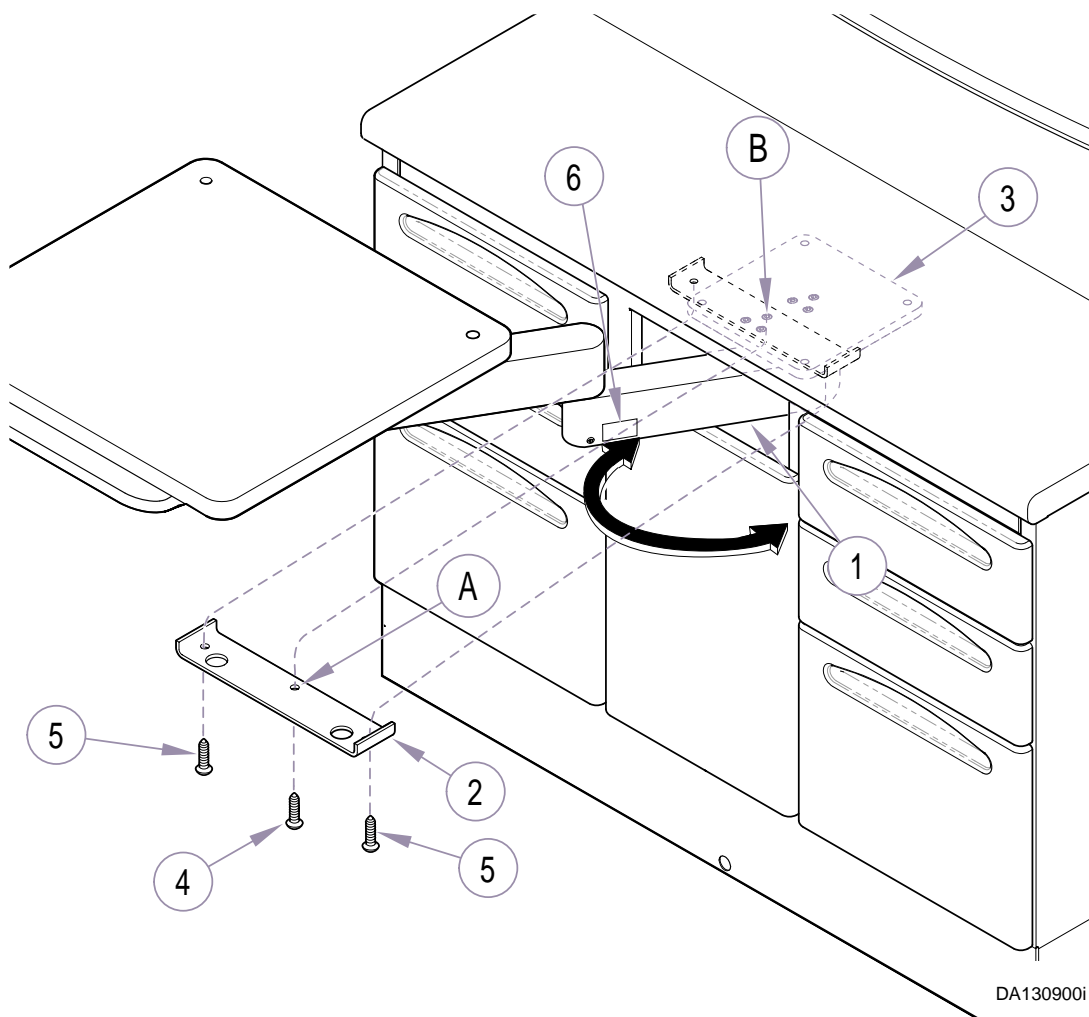


Figure 1. Work Surface Support Bracket Installation