

Doctor's Heated Syringe Kit: 12:00 Units [002-0766-00]



Parts Bag Contents

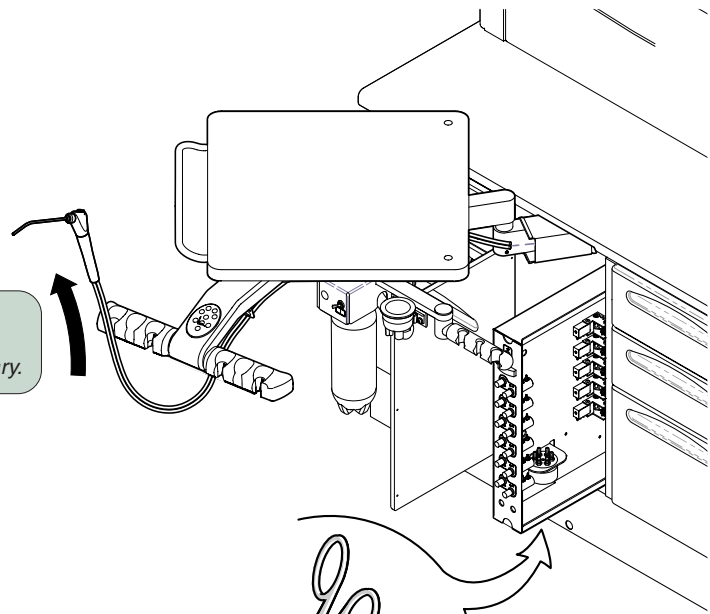
- Heated Syringe
w/ tubing 1
- Syringe Tubing 1
- Wire Harness 1
- Cable Ties 5

Special Tools

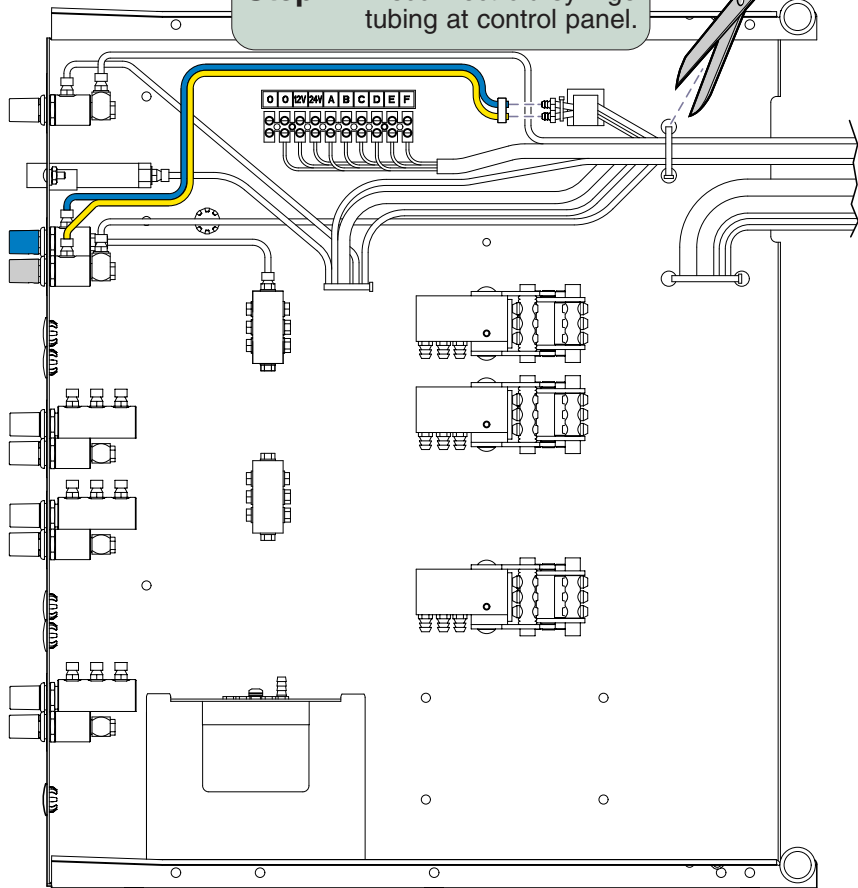
none

Step 2: Remove old syringe.

Note: Cut cable ties as necessary.



Step 1: Disconnect old syringe tubing at control panel.



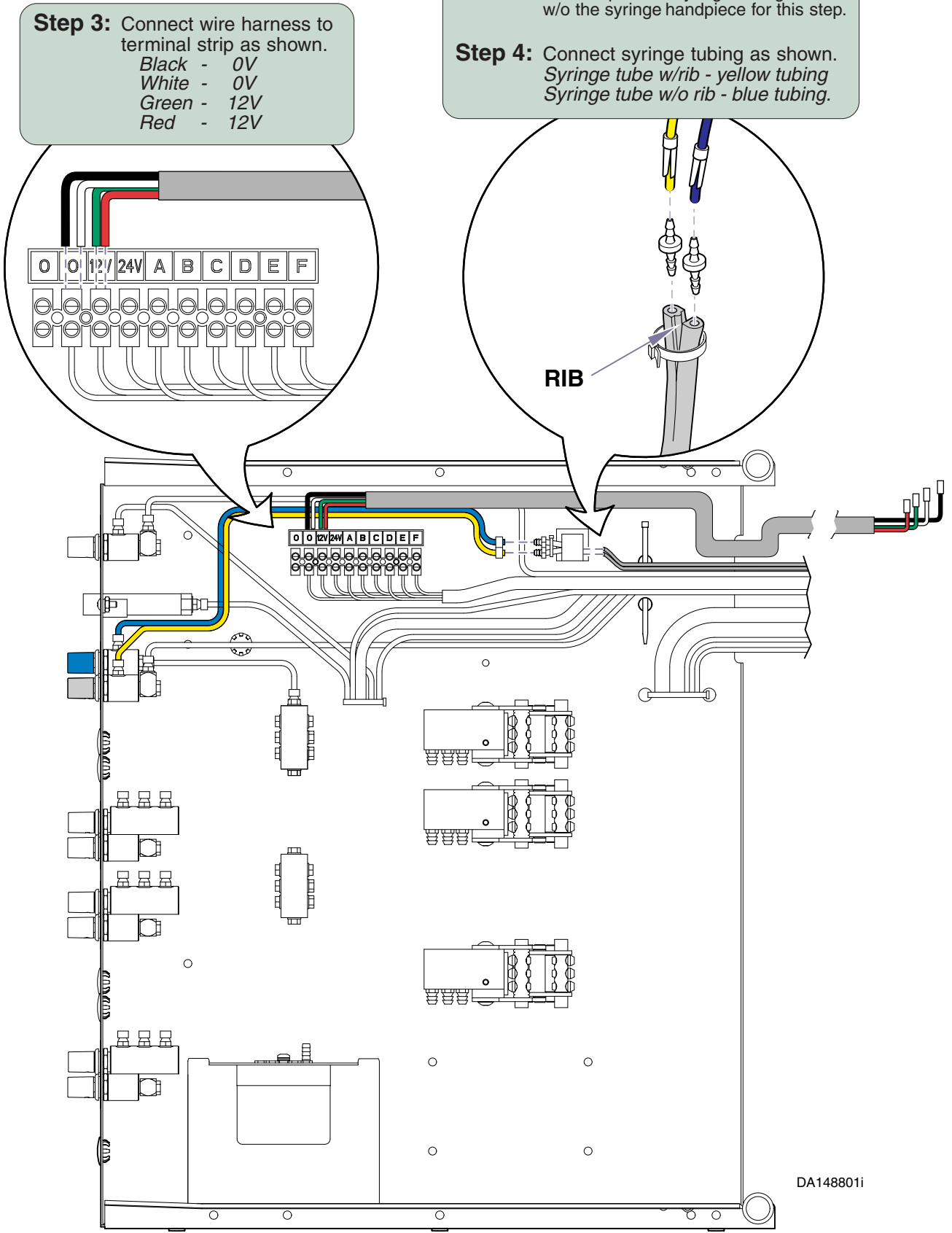
DA148701i

Step 3: Connect wire harness to terminal strip as shown.

- Black - 0V
- White - 0V
- Green - 12V
- Red - 12V

Attention: Use the piece of syringe tubing w/o the syringe handpiece for this step.

Step 4: Connect syringe tubing as shown.
Syringe tube w/rib - yellow tubing
Syringe tube w/o rib - blue tubing.



DA148801i



Equipment Alert

Do not shorten heated syringe wires. The entire length is required for proper operation.
[Resistance measured across Molex connector must be 10 ± 1 ohms @ 77°F (25°C)]

