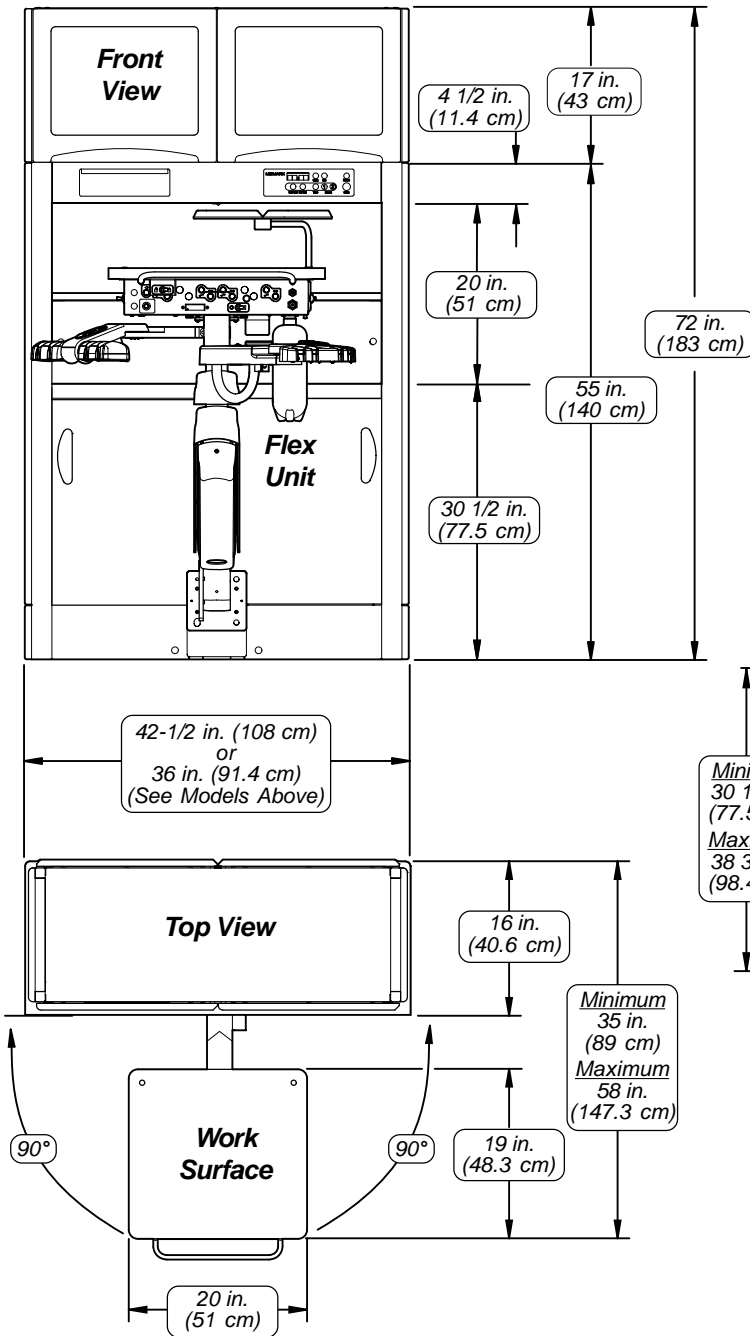


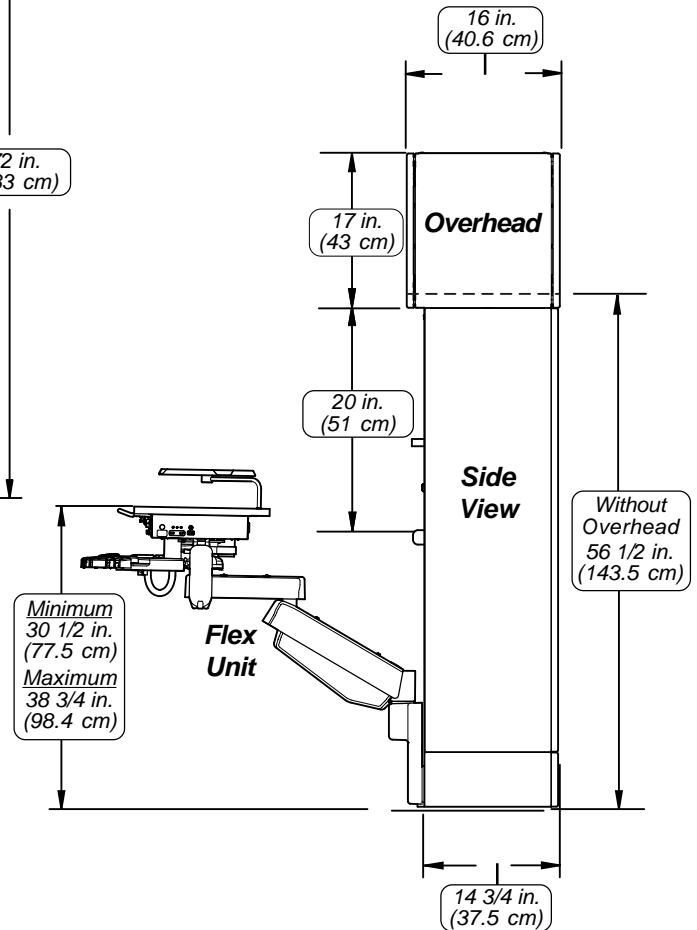


# Free Standing Flex Work Station Console Pre-Installation Guide

**Models:**  
 DM-FWC001 42.5" FS Flex Work Station Column w/ Overhead  
 DM-FWC002 42.5" FS Flex Work Station Column w/o Overhead  
 DM-FWC011 36.0" FS Flex Work Station Column w/ Overhead  
 DM-FWC012 36.0" FS Flex Work Station Column w/o Overhead



## WORK STATION CONSOLE WITH FLOOR MOUNT FLEX UNIT



DA150100i

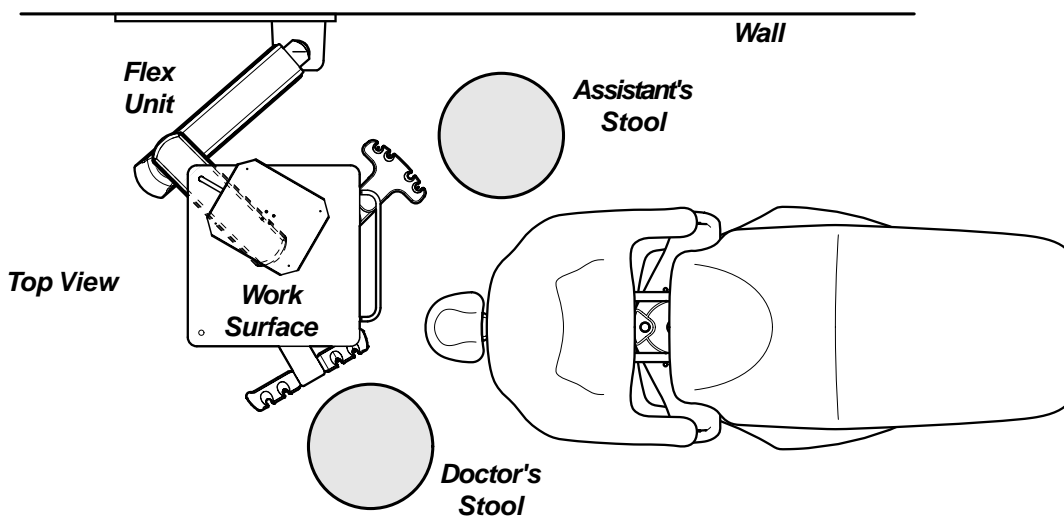
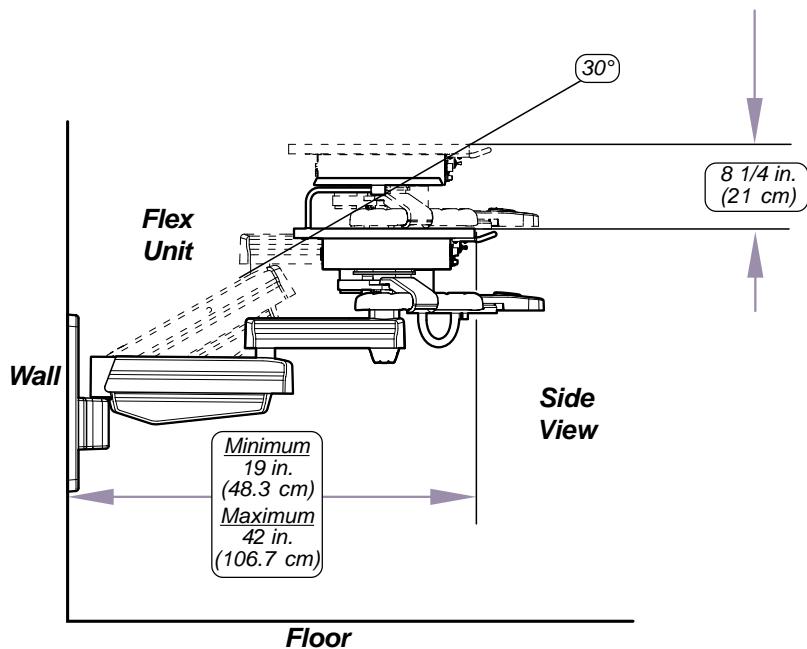
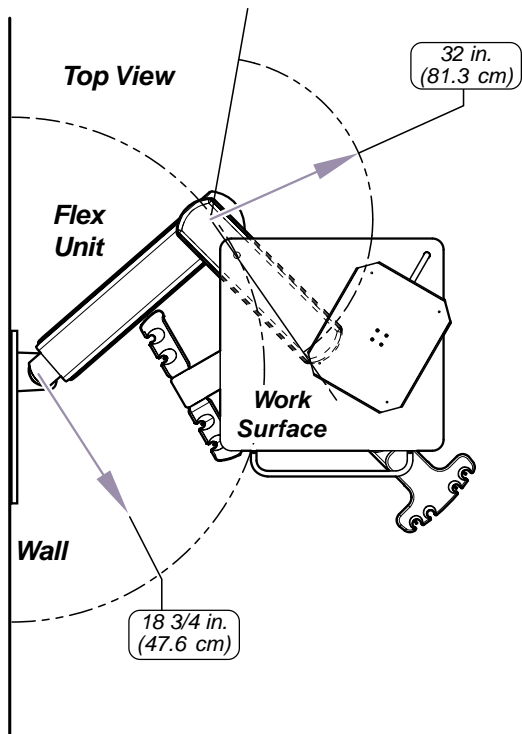
# WORK STATION FLEX UNIT WALL MOUNTED

## NOTES:

Verify desired location with proper personnel and be sure dimensional requirements are met before installing required connections.

## NOTES:

Installation in a Healthcare Facility requires the use of Armordcable



DA150300i

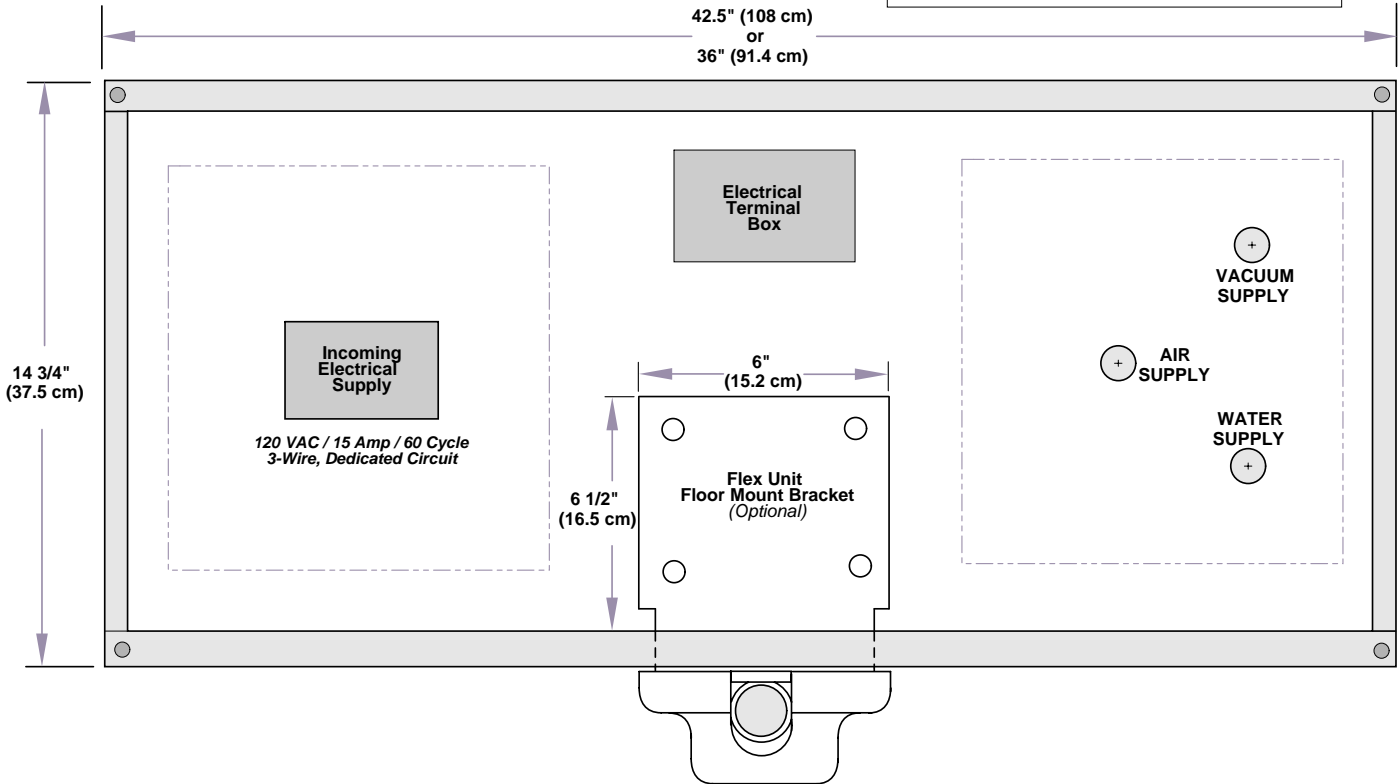
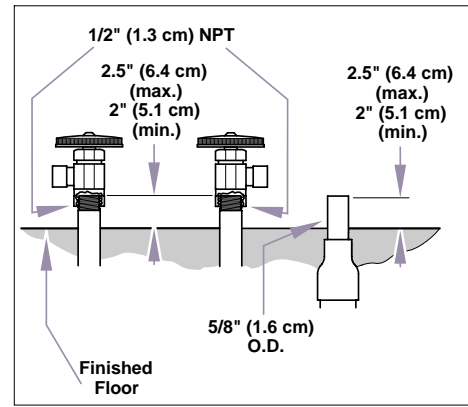
# CONNECTIONS DIAGRAM

**NOTE:**

All electrical and plumbing connections must be made by a licensed electrician and plumbing contractor following applicable local, city, and national codes.

**NOTE:**

Full size templates for Wall (003-1453-00 [36"]) or (003-1431-00 [42"]) or Floor (003-1454-00 [36"]) or (003-1432-00 [42"]) installation can be ordered from Midmark.



DA150601i

## WATER SUPPLY

1/2 inch (13 mm) pipe NPT (supplied by the contractor) protruding 2.0 to 2.5 inch (5.1 to 6.3 cm) above finished surface of floor. Manual shut-off valve (supplied by Midmark) to be installed by contractor.

Water pressure must be 30 - 50 (max.) PSI at the shut-off valve. Flush water plumbing clean before making final connections to dental equipment.

## AIR SUPPLY

1/2 inch (13 mm) pipe NPT (supplied by the contractor) protruding 2.0 to 2.5 inch (5.1 to 6.3 cm) above finished surface of floor. Manual shut-off valve (supplied by Midmark) to be installed by contractor.

Air pressure must be 70 - 100 (max.) PSI at the shut-off valve. Flush air plumbing clean before making final connections to dental equipment.

## VACUUM SUPPLY

### ***(Assistant's Instrument Units Only)***

Plumbing to junction box should be specified by central vacuum supplier and terminated in junction box with 5/8 inch (16 mm) O.D. tube protruding 2.0 to 2.5 inch (5.1 to 6.3 cm) above finished surface of floor.

## ELECTRICAL SUPPLY

Midmark Casework unit must be connected to a dedicated circuit breaker rated 15 amps, 120 VAC. Failure to comply could result in an overload of the electrical circuit and / or components.

Midmark Casework unit contains 6 electrical duplex outlets, which are rated at a combined 15 amps. This rating must be taken into account when plugging device(s) into the available outlets.

Midmark Corporation  
60 Vista Drive  
P.O. Box 286  
Versailles, OH 45380-0286  
937-526-3662  
Fax 937-526-5542  
[www.midmark.com](http://www.midmark.com)