

# Cuspidor Cup Fill Kit (002-0772-00)



## Parts Bag Contents

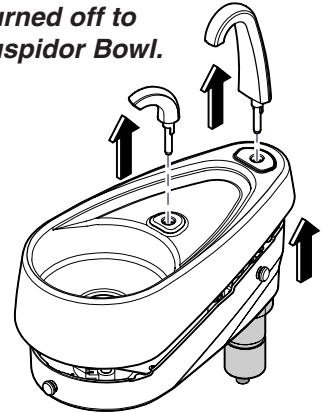
- Purge Control Valve ... 2
- 1/8" Red Tubing
- w/ T-fitting ..... 1
- 1/16" -1/8" Barbed Fitting ..... 1
- Uni-clamp
- 1/8" tubing ..... 8
- 10-32 x 1/16" Barbed Fitting ..... 1
- Gasket ..... 1
- Plug 1/8" ..... 1
- Cuspidor Flow Diagram..... 1

## Special Tools

- 1/16 " Allen Wrench

### NOTE:

Assure Water and Air is turned off to Cuspidor, then remove Cuspidor Bowl.



**Step 4:** Disconnect 1/8" Yellow tube from inlet of Cup Fill Primary Air (3 Way) Valve. Install Uni-clamp and 1/16" plug (supplied).

**Step 3:** Reconnect 1/8" White and Yellow tubing to both Cup Filler Valves.

**Step 1:** Mark, then disconnect 1/8" White and Yellow tubing from both Cup Filler Valves.

**Step 2:** Remove & replace both Cup Filler Valves with valves supplied (reuse knobs).



**Equipment Alert**  
Use new Uni-clamps (supplied) when reconnecting tubing.

Allen Screw

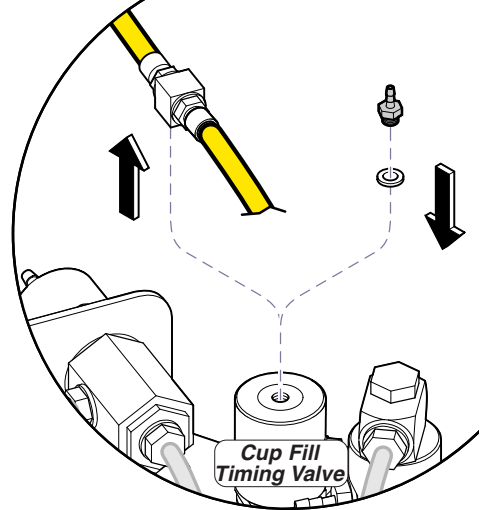
Cup Filler Valve

DA149300i

**NOTE:**

On *Earlier* units the Cup Fill Timing Valve is located above the mounting plate.

Unscrew the T-fitting from the valve and install the barbed fitting (10-32 x 1/16") and gasket.



**Step 5:** Disconnect 1/8" White tubing between Shuttle Valve outlet and Cup Filler Pilot Air (2-way) Valve inlet.

Shuttle Valve Outlet

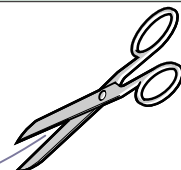
**Step 7:** Disconnect 1/8" Red tubing from Cup Fill Water Valve.

**Step 9:** Disconnect 1/4" Yellow tube from Cup Filler (2-way) Pilot Air Valve.

**Step 6:** Disconnect 1/8" Red tubing from Cup Filler Pilot Air (2-way) Valve.

**Step 8:** Disconnect 1/8" Red tubing from Cup Fill Primary Air Valve. Discard Red tubing.

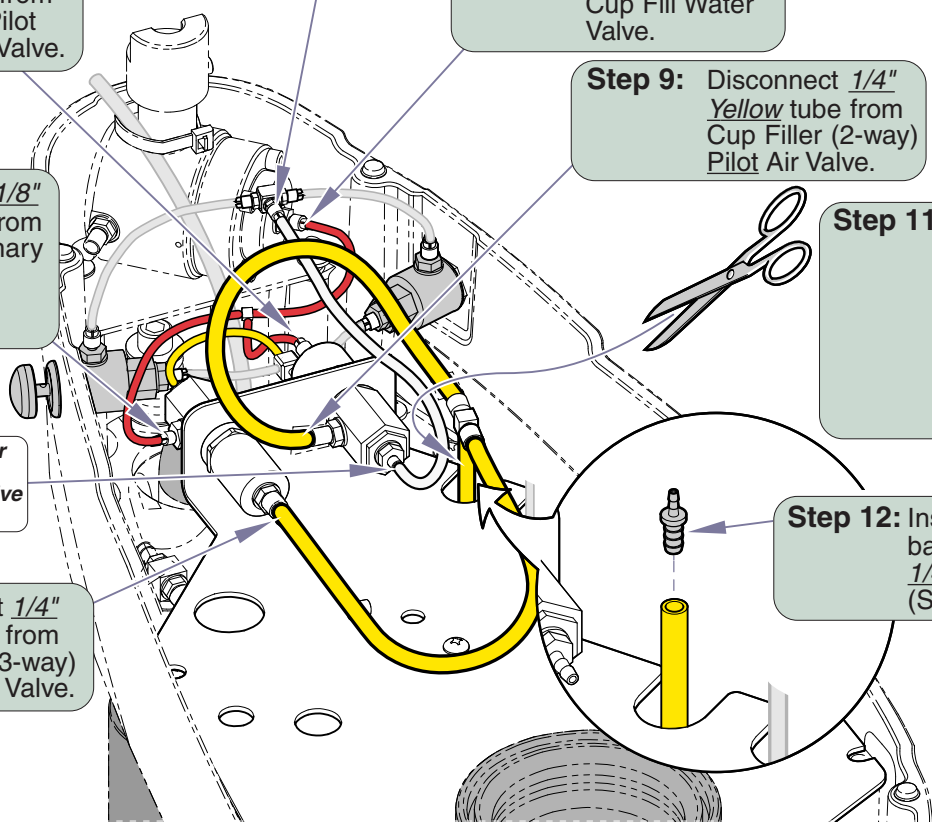
**Step 11:** Cut the 1/4" Yellow tube, above the mounting plate, between the T-fitting and the Cup Fill Timing Valve. Discard 1/4" Yellow tubing (See Note).



Cup Filler Pilot Air (2-way) Valve Inlet

**Step 10:** Disconnect 1/4" Yellow tube from Cup Filler (3-way) Primary Air Valve.

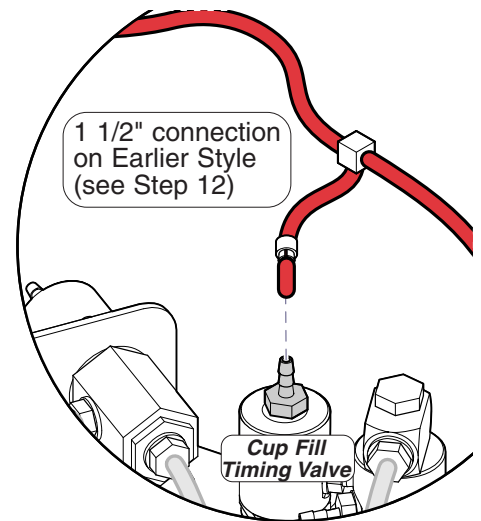
**Step 12:** Install 1/16" to 1/8" barbed fitting in 1/4" Yellow tubing (See Note).



DA149400i



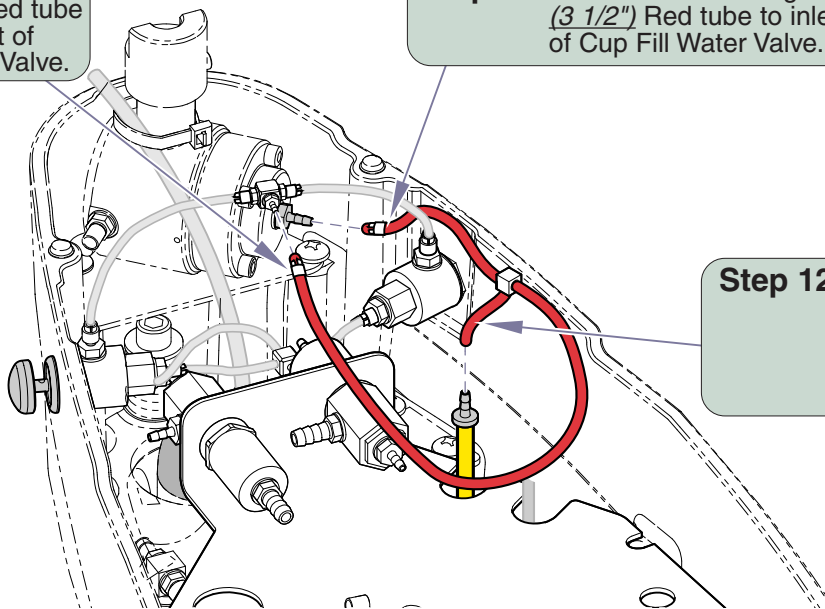
**Equipment Alert**  
Use new Uni-clamps (supplied)  
when reconnecting tubing.



**Step 13:** Connect long (10") Red tube to outlet of Shuttle Valve.

**Step 14:** Connect Middle length (3 1/2") Red tube to inlet of Cup Fill Water Valve.

**Step 12:** Using Red tubing and T-fitting assembly, connect short (1 1/2") Red tube to 1/8" barbed fitting that goes to Cup Fill Timing Valve.

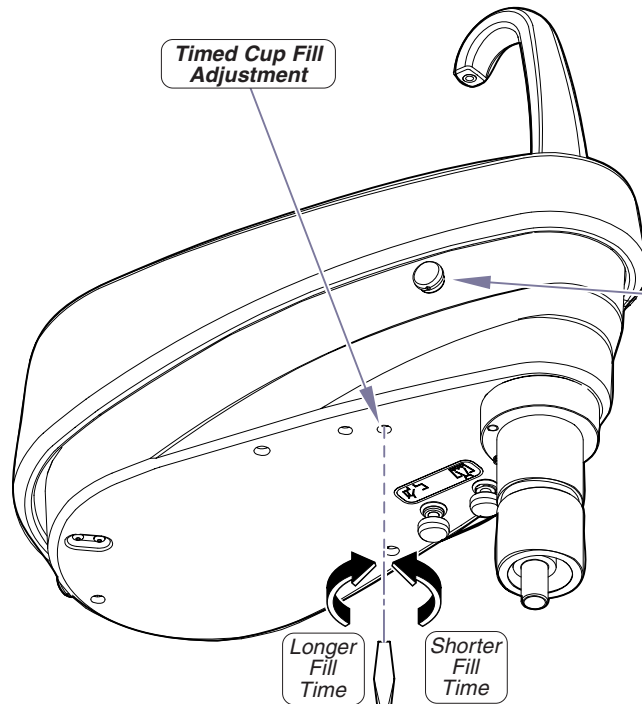
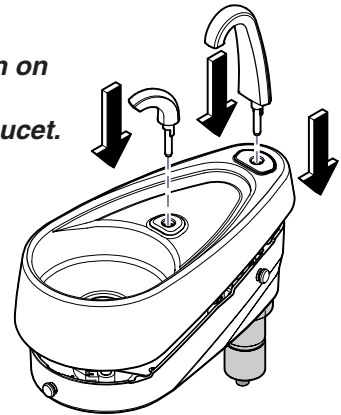


DA149500i

## ADJUSTMENT / OPERATION

### **NOTE:**

*Install cuspidor bowl, turn on water and air.  
Place cup beneath cup faucet.*



**Step 1:** Check Fill time by depressing and immediately releasing one of the Cup Fill Valve buttons.

**Note:** Normal Fill time is 5 seconds after button is release.  
Do not depress button twice in succession.

**Step 2:** If necessary, adjust Cup Fill Timing Valve (See illustration).

**Note:** Fully opening valve (turning outward, CCW) will allow water to fill only when button is depressed and held.

**Step 3:** Replace the existing Cuspidor Flow Diagram with the one supplied with this kit.