

Digital Electric Handpiece Kit Installation

[153632-004]



CE0088

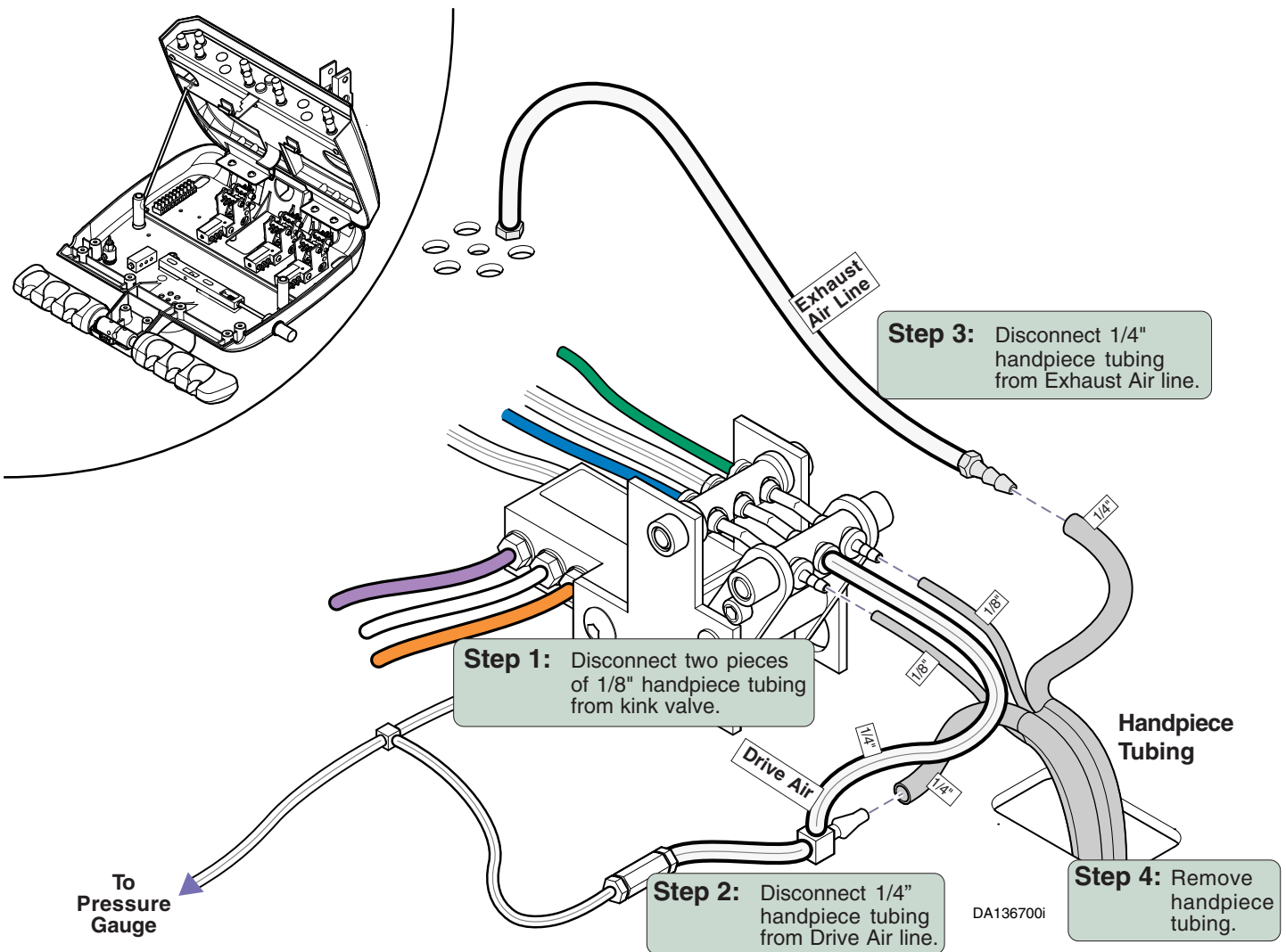
DISCONNECTING TUBING



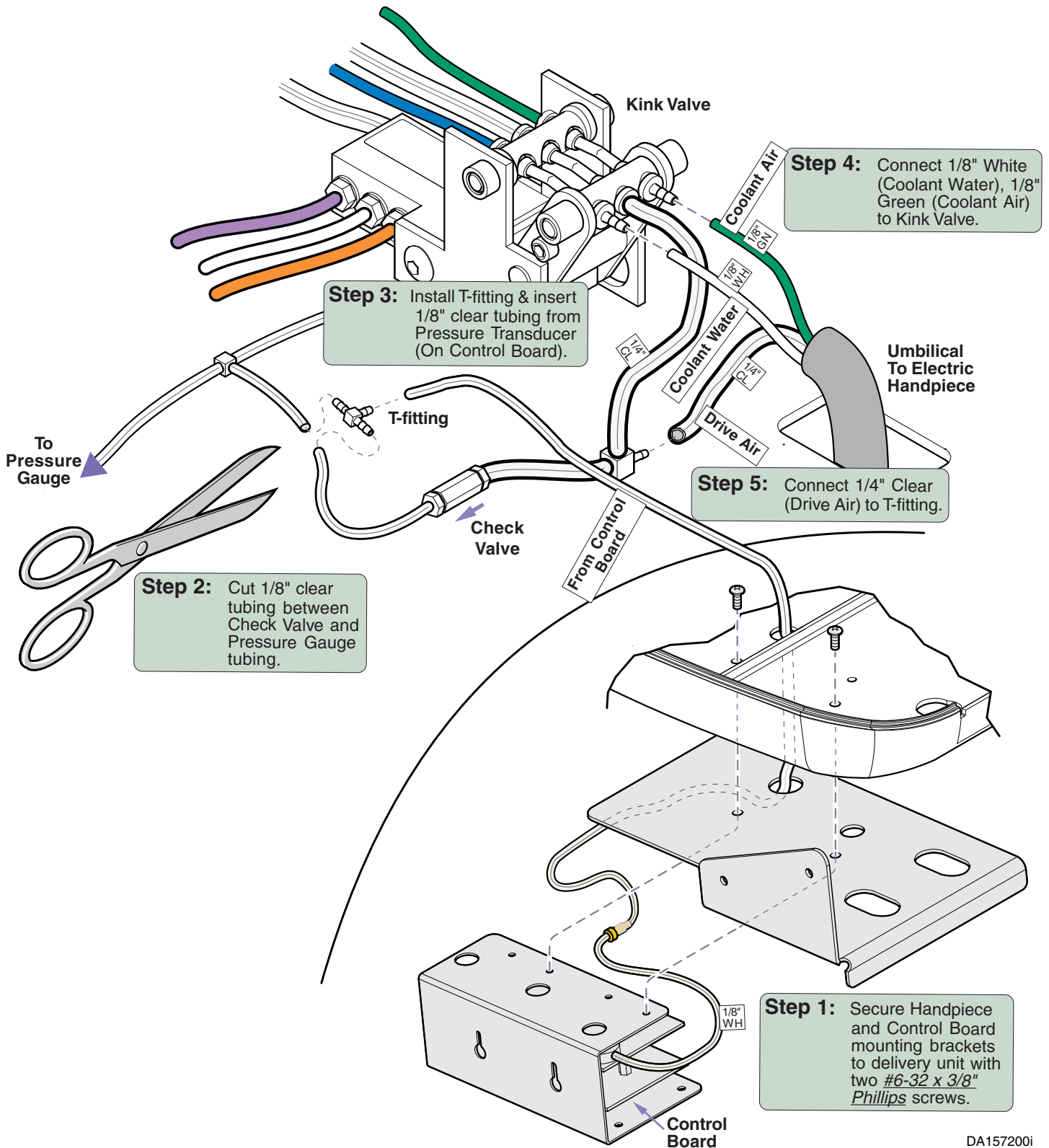
Warning
Disconnect power
and shut off air and water
before removing parts.

NOTE:

Ask user which handpiece will be replaced by the Electric Handpiece to determine which kink valve to hook the Electric Handpiece to.



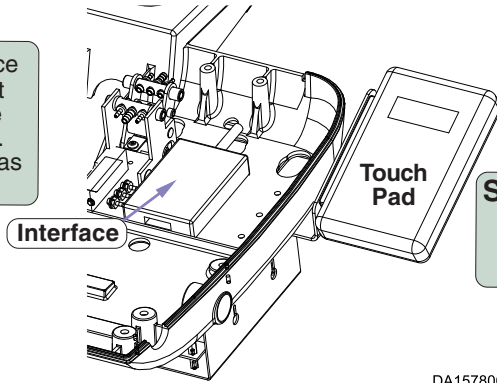
INSTALLING BRACKETS & CONNECTING TUBING



DA1572001

INSTALLING INTERFACE, TOUCH PAD & CONNECTING WIRING

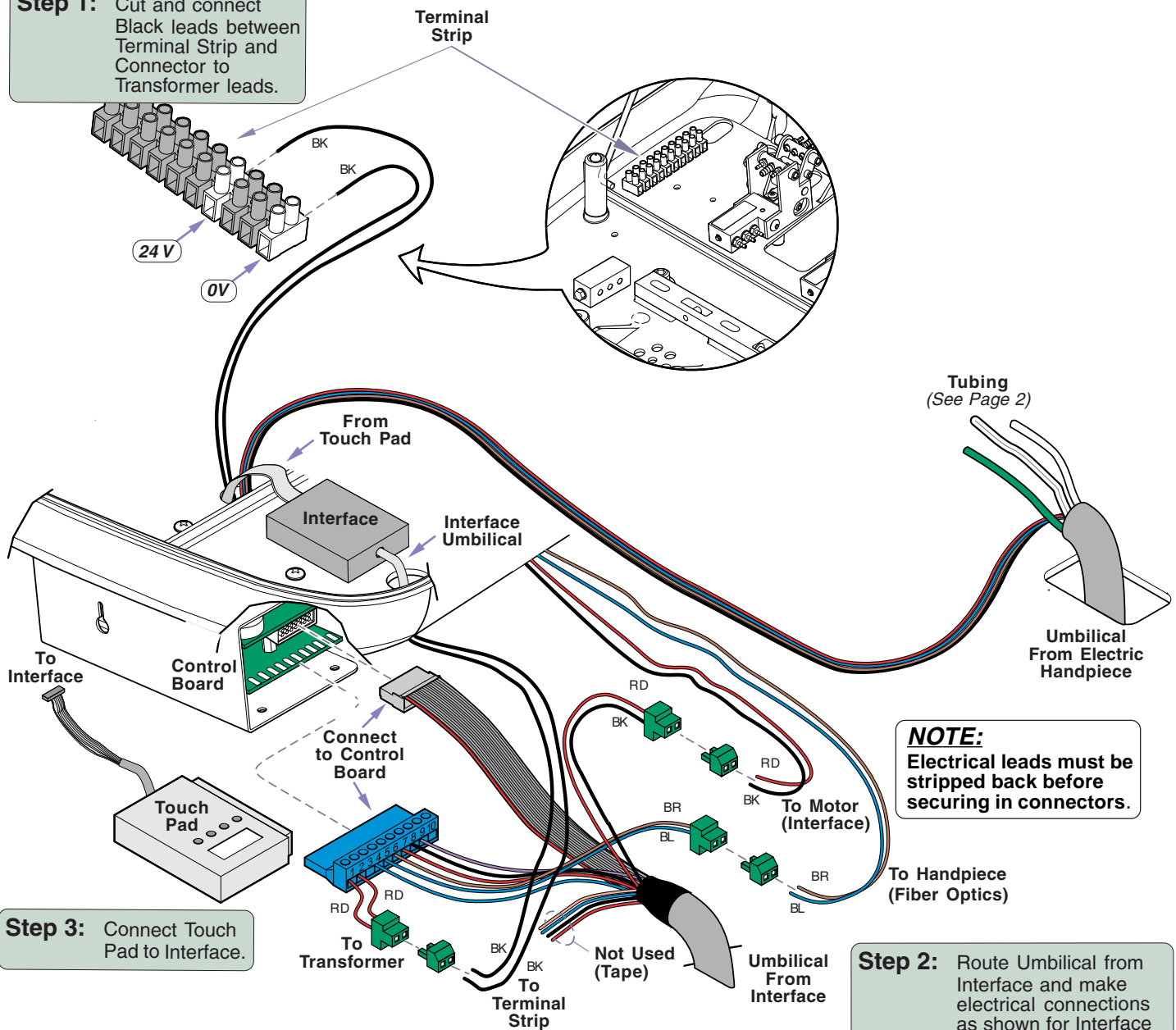
Step 2: Place velcro on surface of the Interface and at the location inside the instrument head base. Position the Interface as shown.



Step 1: Secure the Touch Pad to the hand piece bracket with two *M2.5 x .45 x 5MM Phillips* screws.

DA157800i

Step 1: Cut and connect Black leads between Terminal Strip and Connector to Transformer leads.

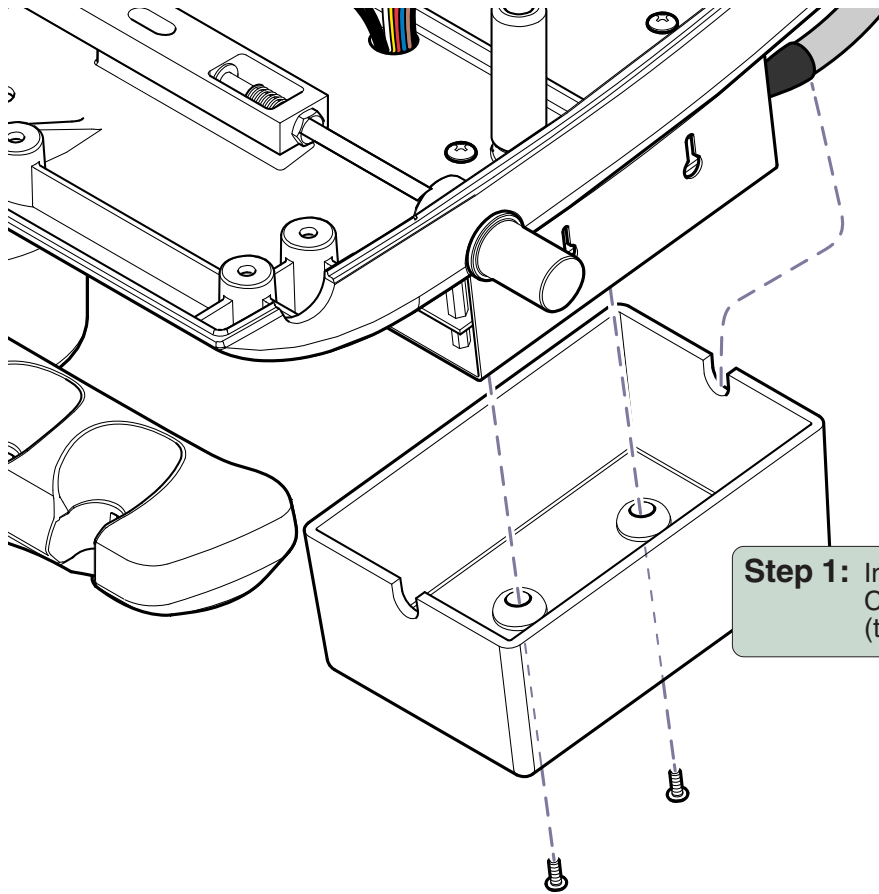


NOTE: Electrical leads must be stripped back before securing in connectors.

Step 3: Connect Touch Pad to Interface.

Step 2: Route Umbilical from Interface and make electrical connections as shown for Interface and Electric Handpiece.

INSTALLING COVER



Step 1: Install the cover over the Control Board and bracket (two #6-32 x 3/8" screws).

DA157100i

NOTE:

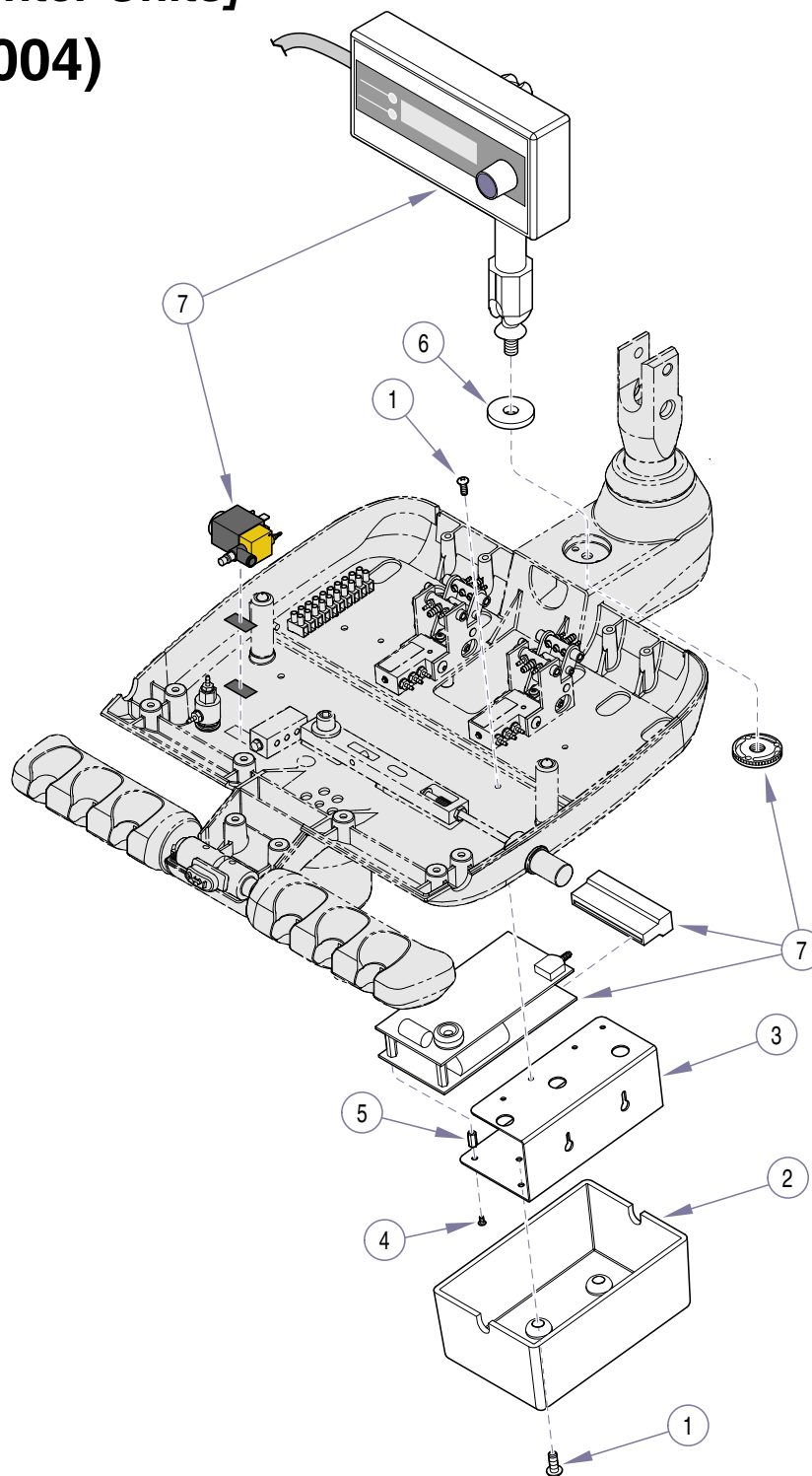
Turn on electric, air, and water. Check for leakage and then operate Electric Handpiece to assure proper operation.

Digital Electric Handpiece System

[for ProCenter Units]

(153632-004)

ACCESSORY PARTS LIST



DA137700i

Applies to units built before 01/01/2005 (prior to Serial Number V87315)

Item	Part No.	Description	Qty	Item	Part No.	Description	Qty
	153632-004	Digital Electric Handpiece System (includes items 1 thru 7).....	Ref	4	• 042-0609-00	• Screw	3
1	• 040-0006-97	• Screw.....	4	5	• 015-1770-00	• Standoff.....	3
2	• 053-1300-04	• Digital Handpiece Cover.....	1	6	• 050-5929-00	• Digital Display Mount Spacer.....	1
3	• 050-5411-50	• Electric Handpiece Bracket.....	1	7	• 002-0669-00	• Bien Air Electric Hndpc. Kit.....	1

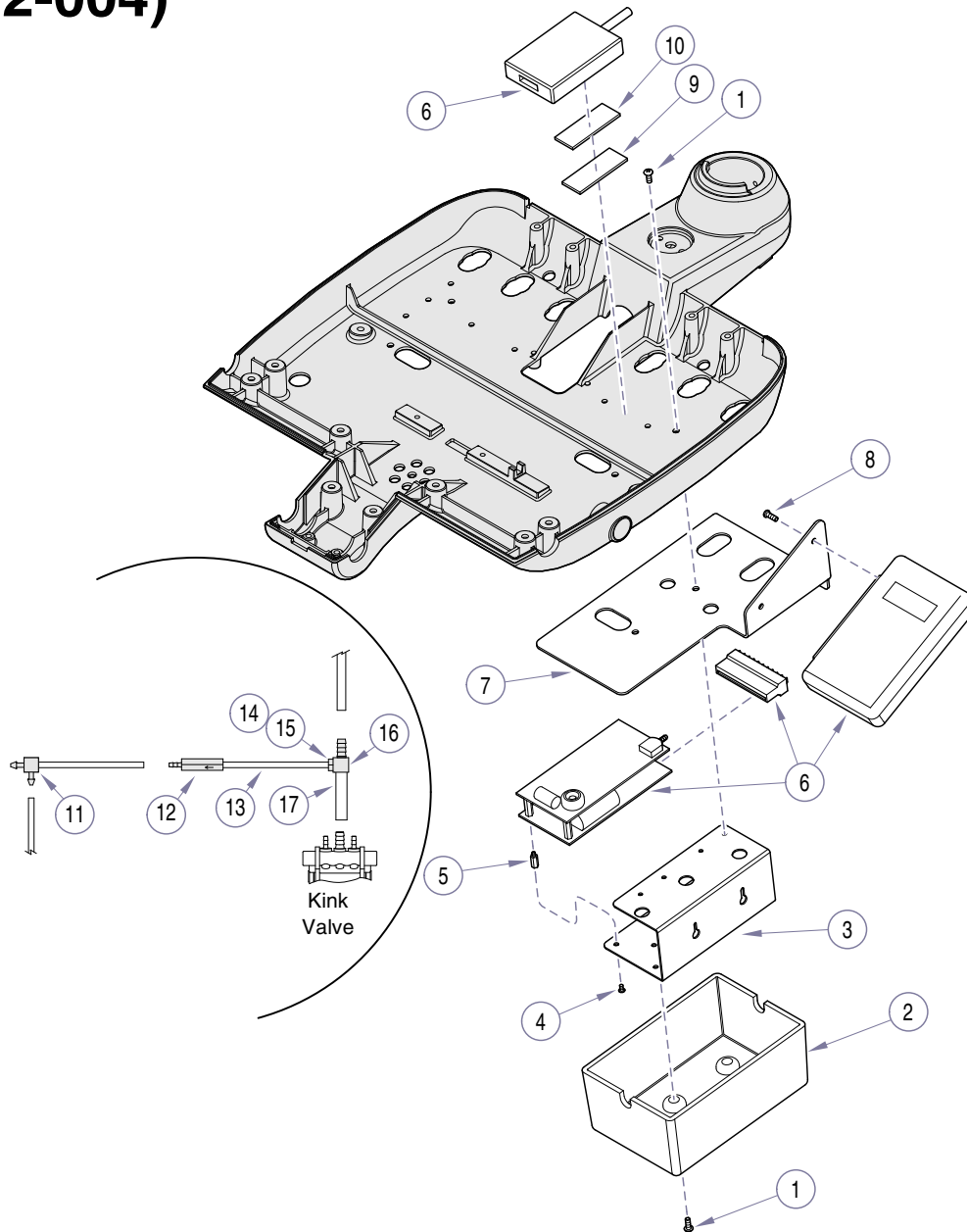
Always Specify Model & Serial Number

Digital Electric Handpiece Single System

ACCESSORY PARTS LIST

[for ProCenter Units, Field Installed]

(153632-004)



DA165800i

Applies to units built after 01/01/2005 (Serial Numbers From V87315 Thru V352592)

Item	Part No.	Description	Qty	Item	Part No.	Description	Qty
	153632-004	Digital Electric Handpiece System (includes items 1 thru 17)	Ref				
1	• 040-0006-97	• Screw	4	9	• 053-0131-31	• Velcro Hook.....	1
2	• 053-1300-04	• Digital Handpiece Cover.....	1	10	• 053-0105-33	• Velcro Loop	1
3	• 050-5411-50	• Electric Handpiece Bracket	1	11	• 117477	Fitting, Barbed Union 1/8"	1
4	• 042-0609-00	• Screw	3	12	• 117698	Check Valve.....	1
5	• 015-1770-00	• Standoff.....	3	13	• 177529	Tubing, 1/8" O.D. Clear.....	AR
6	• 002-0845-00	• Bien Air Digital Electric Hndpc. Kit	1	14	• 109714	Fitting, Barbed 1/8".....	1
7	• 050-6193-50	• Electric Hndpc Bracket	1	15	• 117660	Gasket	1
8	• 042-0168-04	• Screw	2	16	• 117483	Fitting, Barbed Nipple 1/4".....	1
				17	• 117606	Tubing, Clear 3/16".....	AR
				18	• 003-1498-00	Installation Instructions.....	1

Always Specify Model & Serial Number