



SATELEC Scaler System (153765-001, 005) Procenter Delivery Unit Installation Instructions

Intended Use:

To provide a means for a dental hygentist to remove plaque and build-up on patient's teeth.

Requirements / Restrictions:

None

Components:

<i>Scaler</i>		<i>Tubing:</i>	
Components	1	1/8" Clear	AR
Pressure Swt.	1	1/4" Clear	AR
Check Valve	1	<i>Fittings:</i>	
Washer	1	1/16" barbed T ...	1
Wire Connector...	1	Uni-Clamp 1/8" ...	5
Velcro, Loop	1	1/16" to 1/8"	
Velcro, Hook	1	barbed	2
Bracket	1	1/16" barbed	
Cover	1	plug	2
Screws	4		

Special Tools:
none

STANDARD HANDPIECE TUBING REMOVAL

Note

Determine which current handpiece position will be replaced with the SATELEC Scaler System. Ask unit owner to indicate preferred placement as Scaler will be connected to the valve at that location.

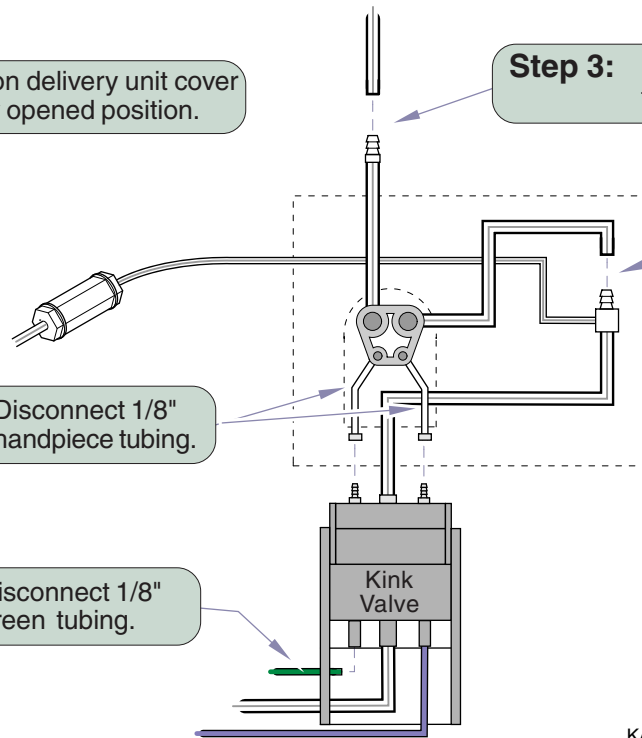
Step 1: Position delivery unit cover in fully opened position.

Step 3: Disconnect 1/4" handpiece tubing from 1/4" clear tubing.

Step 4: Disconnect 1/4" handpiece tubing from connector; then remove handpiece tubing from delivery unit.

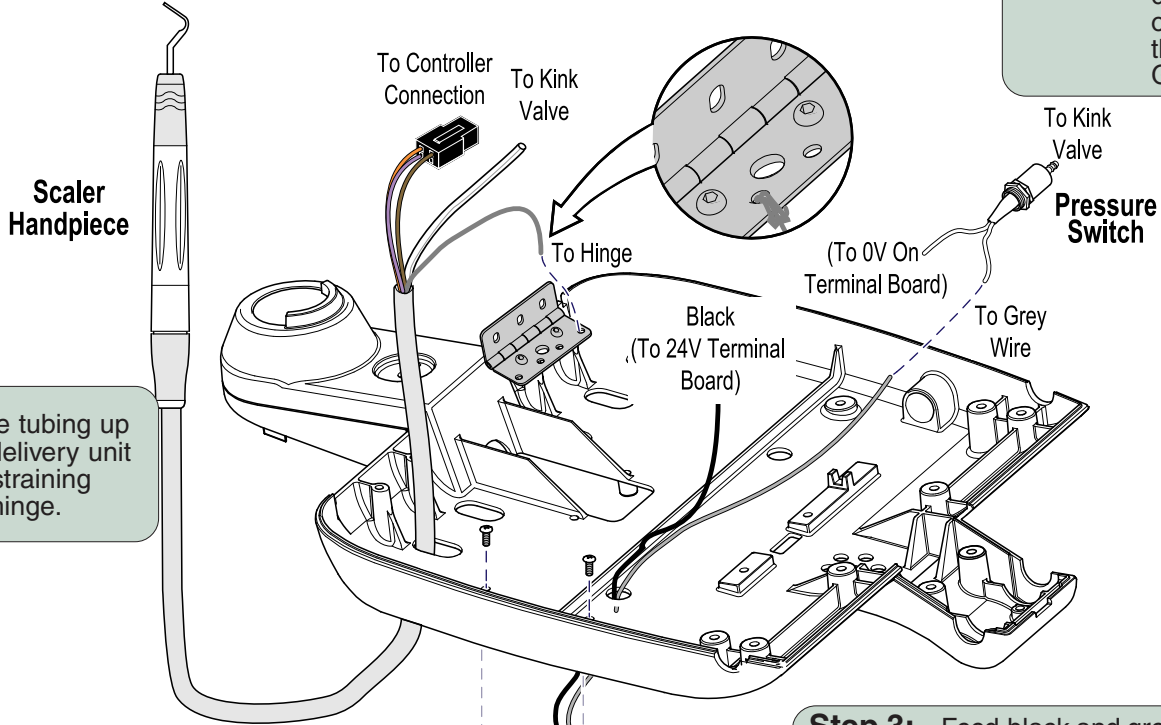
Step 2: Disconnect 1/8" handpiece tubing.

Step 5: Disconnect 1/8" green tubing.



KA975501i

SCALER COMPONENTS INSTALLATION



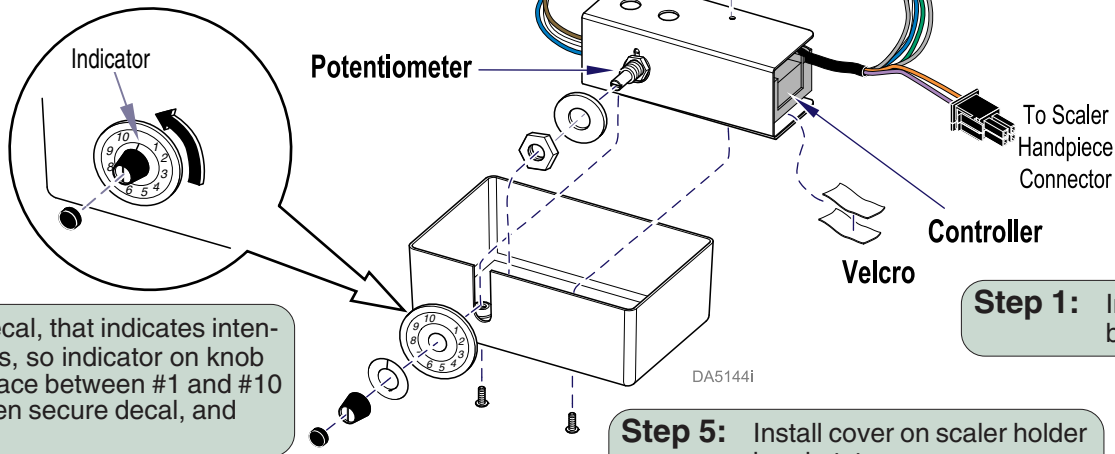
Step 7: Insert scaler handpiece tubing up thru hole in bottom of delivery unit housing. Tie off the restraining string to a hole in the hinge.

Step 8: Position Pressure Switch in delivery unit housing so that one of the leads can be connected to the terminal board & one to the Grey lead.

Step 3: Feed black and grey wires from Potentiometer connector, up thru wire hole on bottom of delivery unit housing.

Step 4: Assure indicator on potentiometer knob is set so it points straight up when turned all the way counterclockwise; then install washer, and nut on shaft.

Step 2: Install scaler holder bracket on bottom side of delivery unit housing, secure with two screws.



Step 6: Position decal, that indicates intensity settings, so indicator on knob is in the space between #1 and #10 settings then secure decal, and knob.

Step 1: Install controller on mounting bracket using velcro strips.

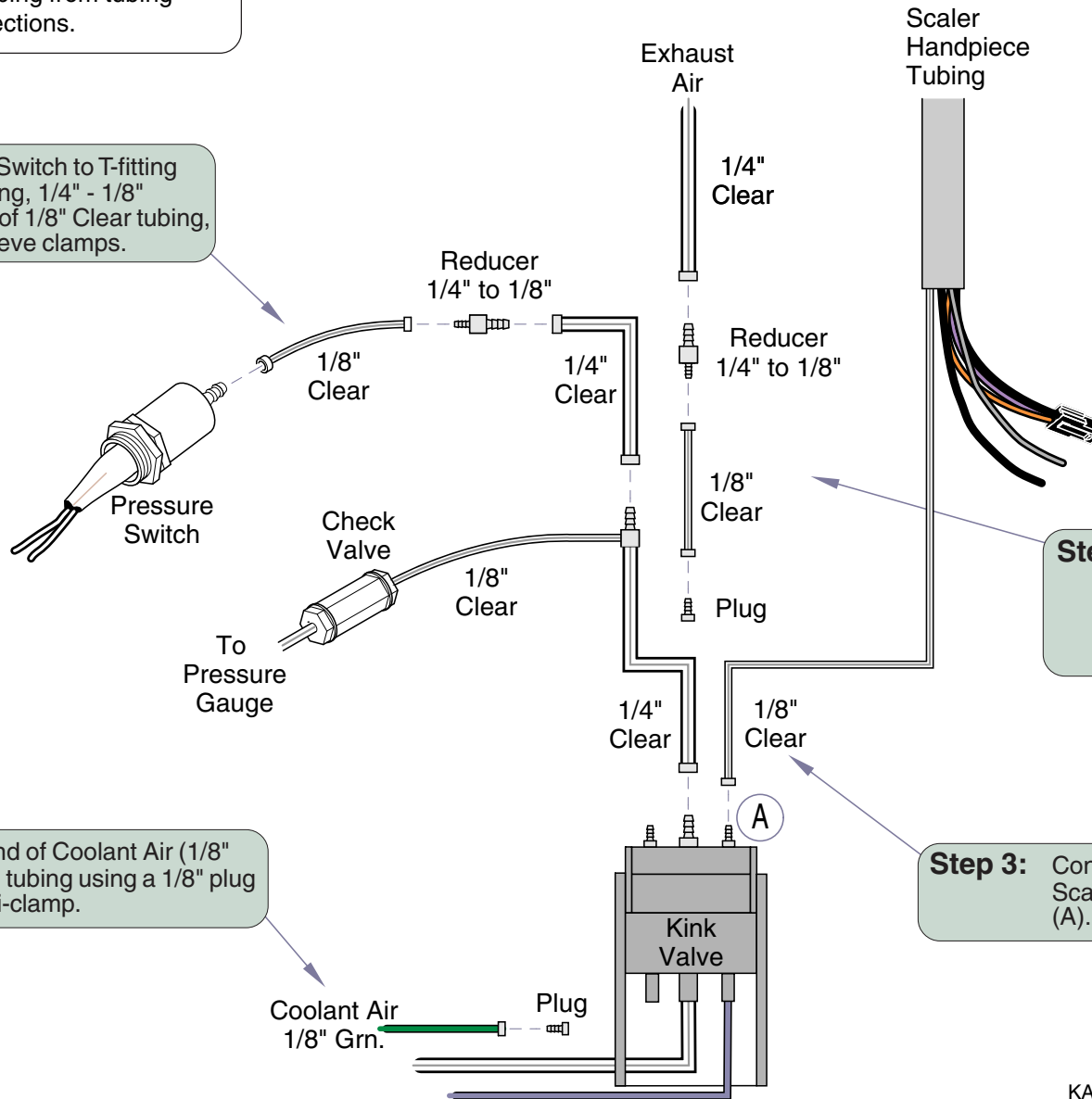
Step 5: Install cover on scaler holder bracket, two screws.

SCALER TUBING CONNECTIONS

Note

Install 1/4" sleeve clamps and 1/8" uni-clamps onto comparable tubing before making connections. Cut a 2" length of 1/8" clear tubing from tubing supplied in kit for use in connections.

Step 4: Connect Pressure Switch to T-fitting with 1/4" Clear tubing, 1/4" - 1/8" Reducer, 2" length of 1/8" Clear tubing, uni-clamps and sleeve clamps.



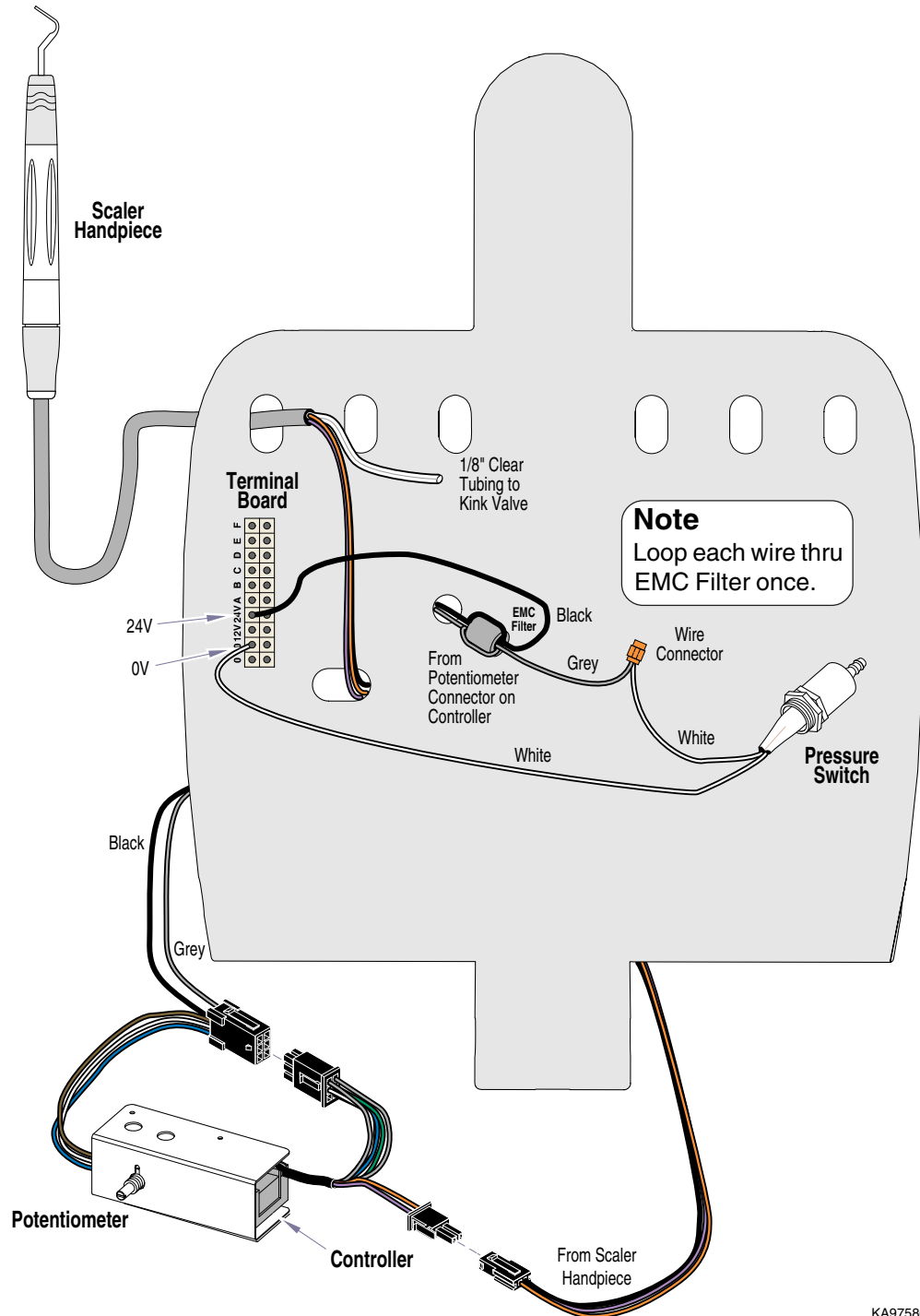
Step 1: Plug off end of Exhaust Air tubing using a 1/4" - 1/8" Reducer, 2" length of 1/8" Clear tubing, uni-clamps, sleeve clamps, and a plug

Step 2: Plug end of Coolant Air (1/8" Green) tubing using a 1/8" plug and uni-clamp.

Step 3: Connect 1/8" Clear tubing from Scaler Handpiece to Kink Valve (A). Use uni-clamp to secure.

KA975701i

SCALER ELECTRICAL CONNECTIONS PROCENTER



Midmark Corporation
60 Vista Drive
Versailles, OH 45380-0286
Phone: 937-526-3662
Fax: 937-526-5542
midmark.com

KA975802i

