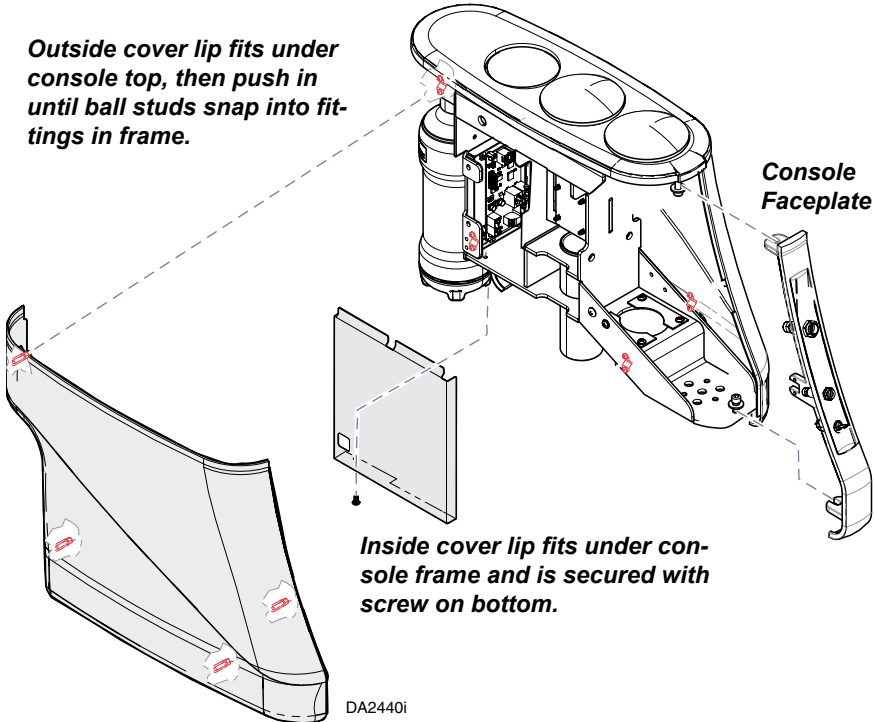


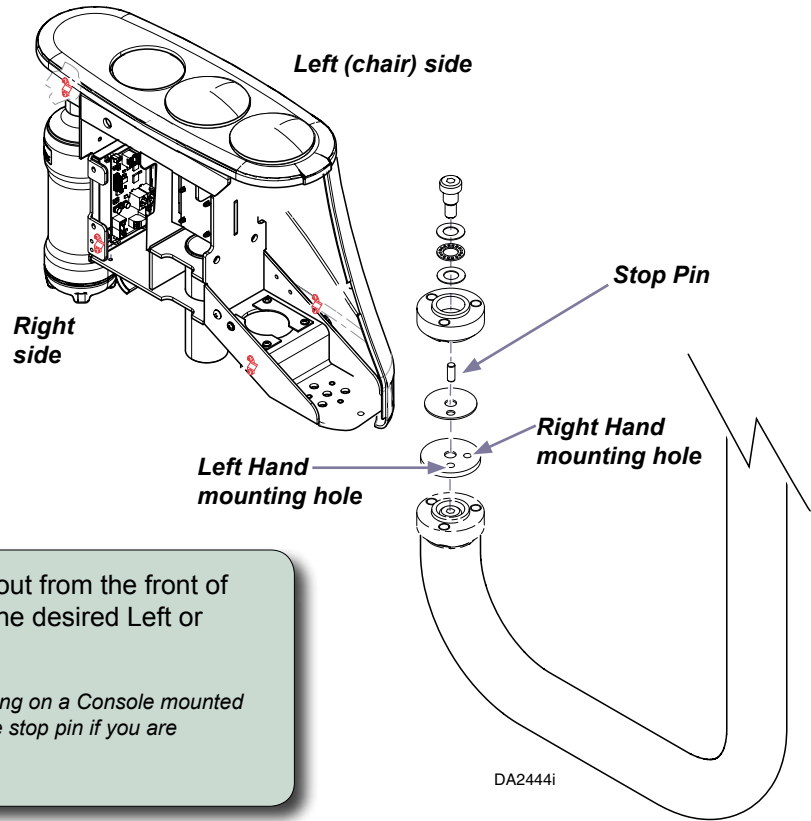
# Procenter Assistant's Unit, Console Mounted on an Elevance Chair Installation Guide

**WARNING**  
 Always disconnect power before removing covers. Failure to do so may result in personal injury.

**Step 1:** Remove the inside and outside console covers.



**Step 2:** Remove console faceplate (two screws with washers) for easier access to mounting holes.



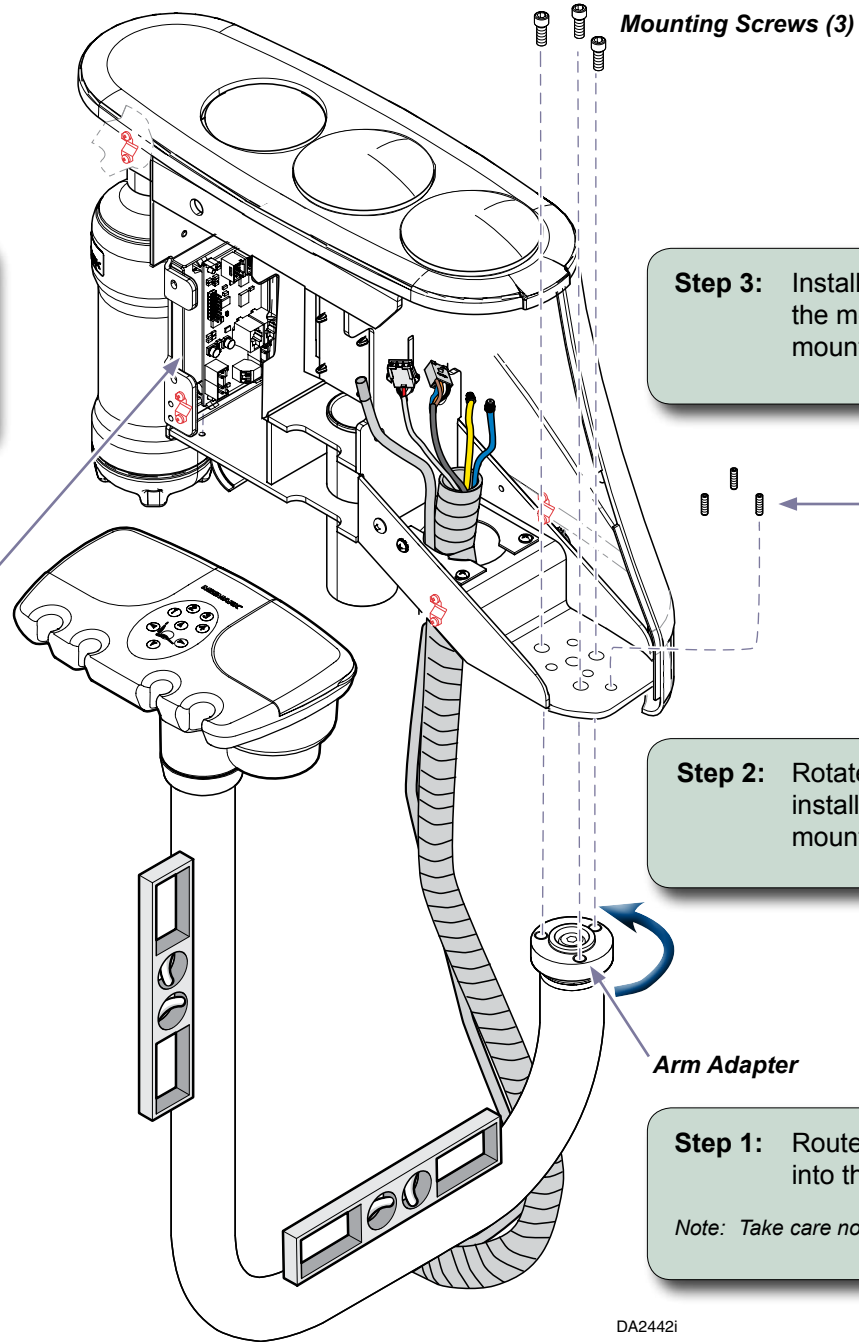
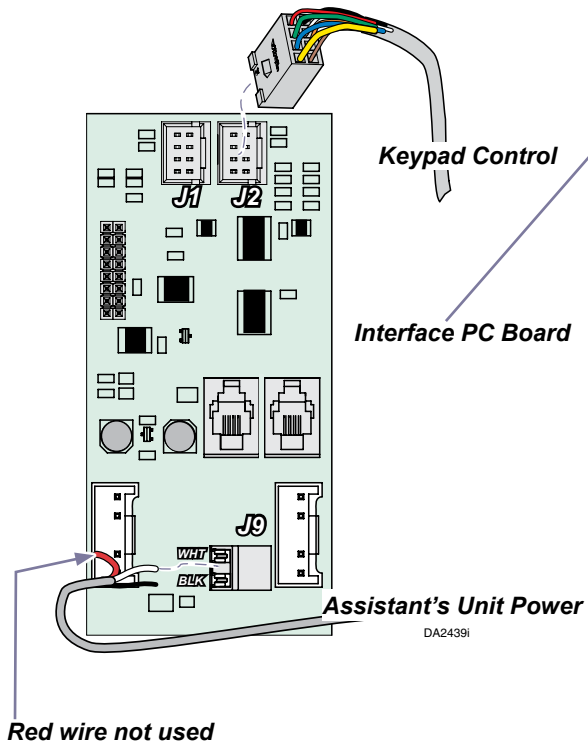
**Step 3:** Holding the mounting arm straight out from the front of the console, install the stop pin in the desired Left or Right side mounting hole.

*Note: The stop pin is factory set for a LEFT side mounting on a Console mounted on (patient's) left side of the chair. Only move the stop pin if you are installing a RIGHT hand unit.*

## Installing the Mount Arm Assembly

**Step 4:** Plug the Assistant's Unit Power into the Interface PC Board, J6 or J10 socket.

Plug the Assistant's Unit keypad control into the J1 or J2 socket.



**Step 3:** Install 3 leveling set screws and level the mount arm assembly. Tighten the 3 mounting screws when arm is level.

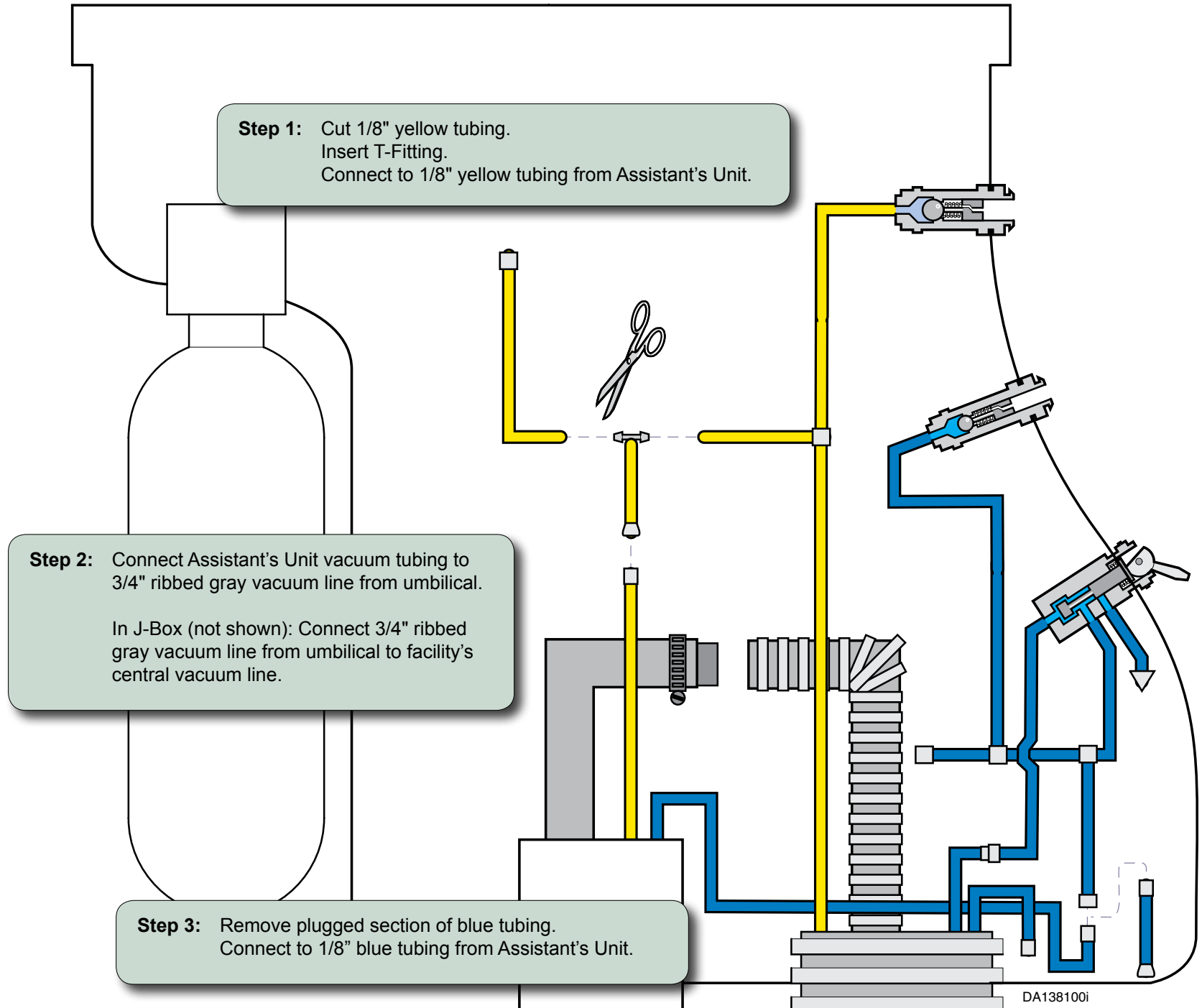
**Step 2:** Rotate Arm Adapter clockwise and install Mount Arm Assembly using 3 mounting screws, loosely tightened.

**Step 1:** Route the umbilical and vacuum line into the Console.

*Note: Take care not to kink the umbilical or vacuum lines.*

DA2442i

## Connecting Tubing



## Assemble and install covers on Console

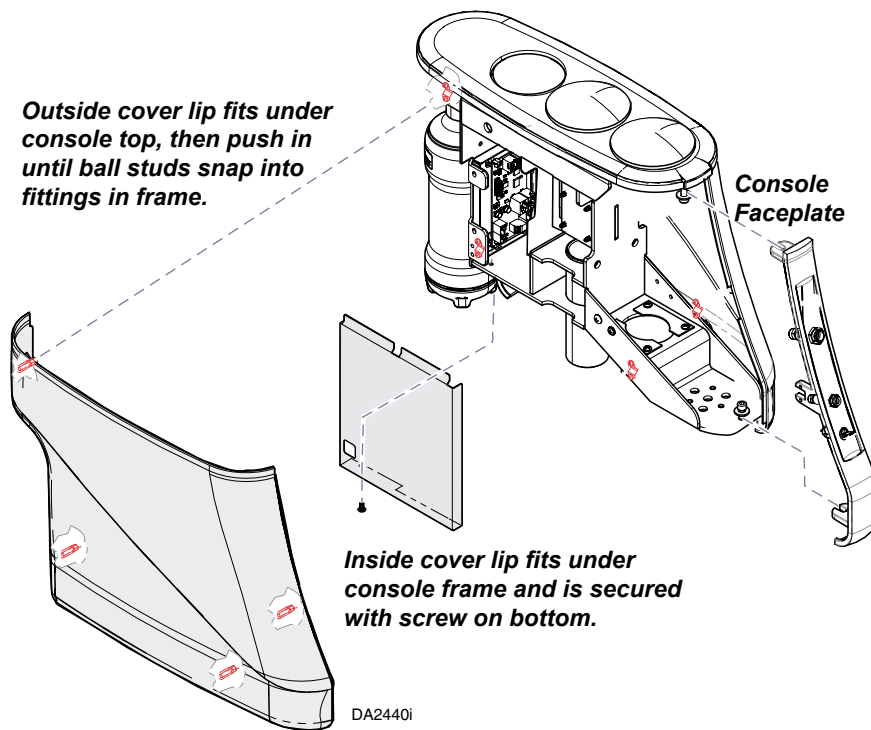
### Install Covers on Console...

Put Console faceplate on Console (2 screws).

Put inner cover on Console to cover all electrical connections.

Put outer cover on Console.

*Note: Be careful not to pinch or kink tubing or wires when installing covers.*



## Installation Checklist

Test	Description of good installation criteria	✓
1	Mount Arm and Assistant's Unit are level.	
2	Mount Arm and Assistant's Unit rotate and move easily.	
3	Air and Water tools work on the Assistant's Unit - no wires or tubing are pinched by covers or mountings.	
4	Wipe Console and Assistant's Unit with a soft dry cloth to remove any dirt or smudges.	



Because we care.