

Procenter Cuspidor, Console Mounted on an Elevance Chair Installation Guide

Note
Cuspidor is wrapped and sealed in a box to protect the glass. Carefully inspect parts before installing.

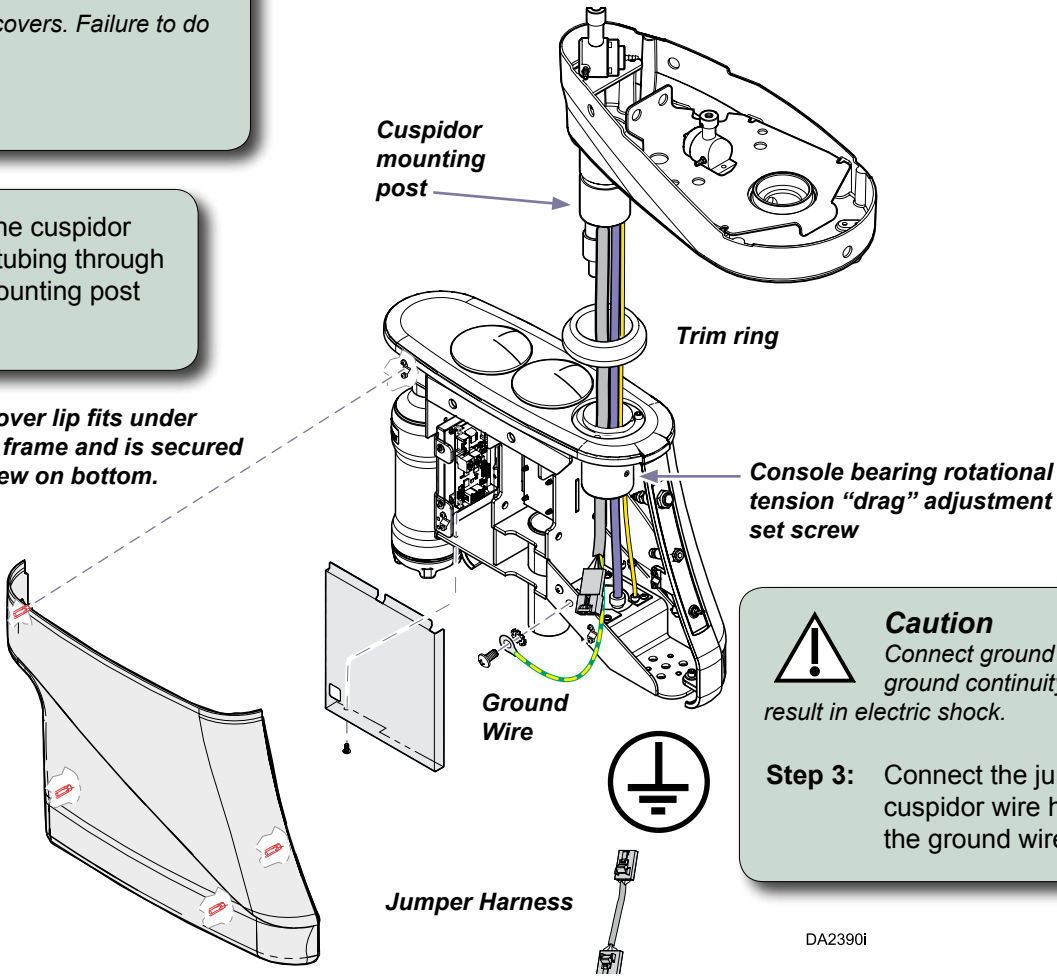
WARNING
Always disconnect power before removing covers. Failure to do so may result in personal injury.

Step 1: Remove the console covers.

Step 2: Slide trim ring onto the cuspidor mounting post, feed tubing through opening and slide mounting post into console bearing.

Inside cover lip fits under console frame and is secured with screw on bottom.

Outside cover lip fits under console top, then push in until ball studs snap into fittings in frame.



Caution
Connect ground wire to ensure system ground continuity. Failure to do so may result in electric shock.

Step 3: Connect the jumper harness to the cuspidor wire harness and attach the ground wire to the console frame.

DA2390i

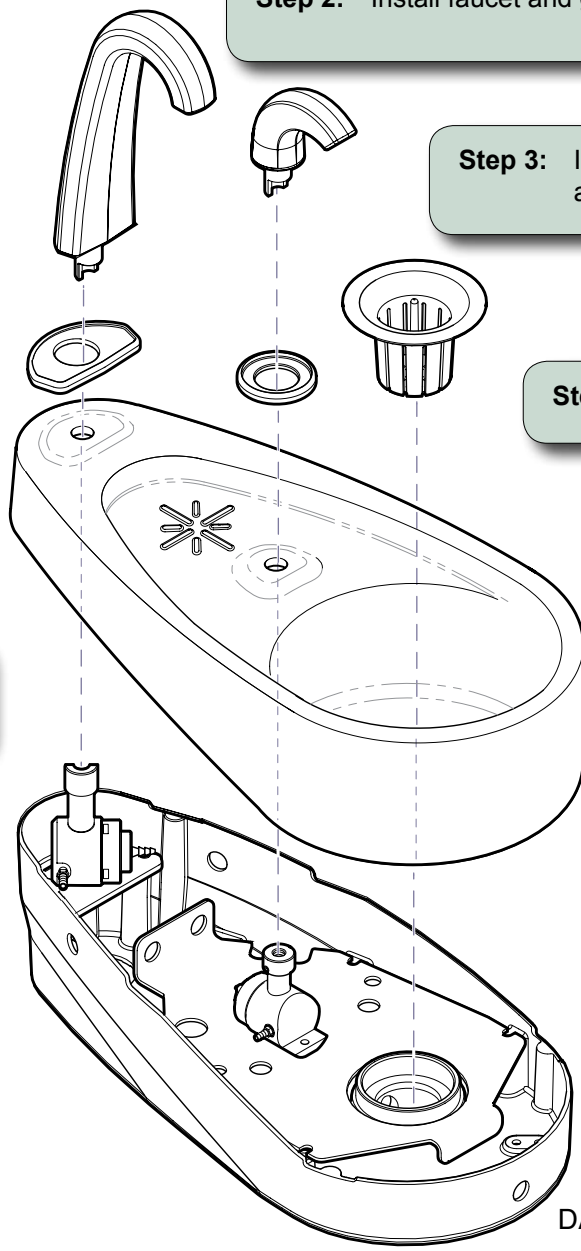
Install the Cuspidor

Step 1: Position the Cuspidor over the base and gently press downward.

Step 2: Install faucet and gasket.

Step 3: Install bowl flush spout and gasket.

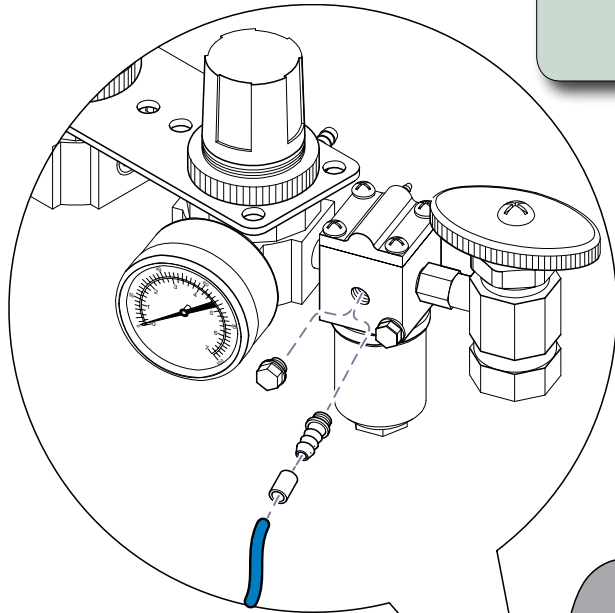
Step 4: Install gold drain trap.



DA137300i

Connect the Cuspidor tubing in the J-Box

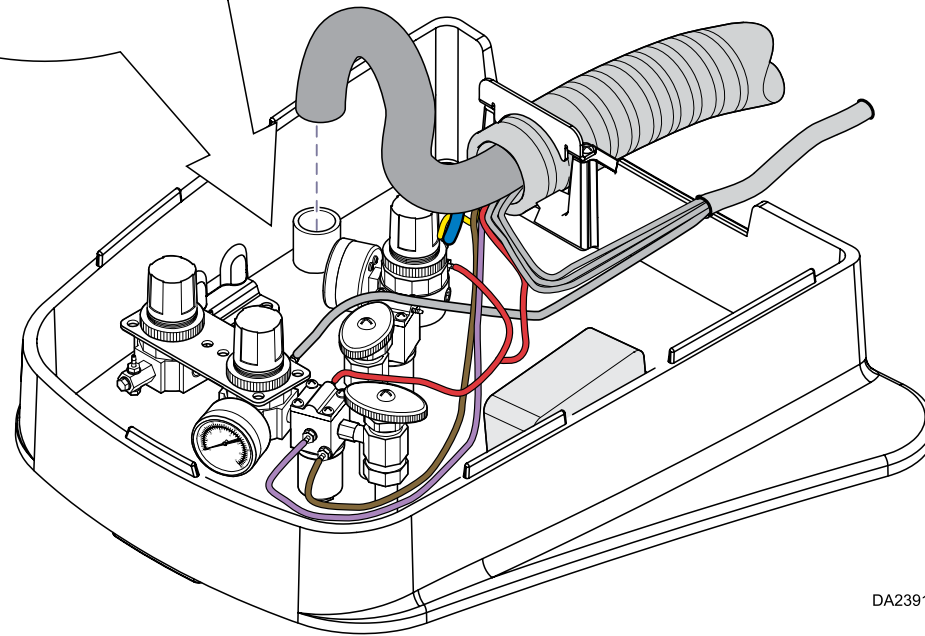
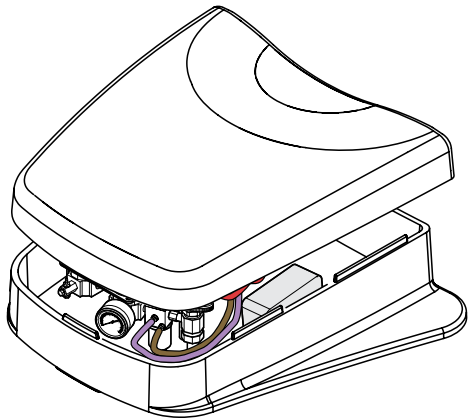
Step 2: Remove plug from the water shut off valve and install a 1/4" barb fitting there. Connect 1/4" blue tubing from umbilical.



Step 3: Connect 5/8" smooth tubing from umbilical to facility drain.

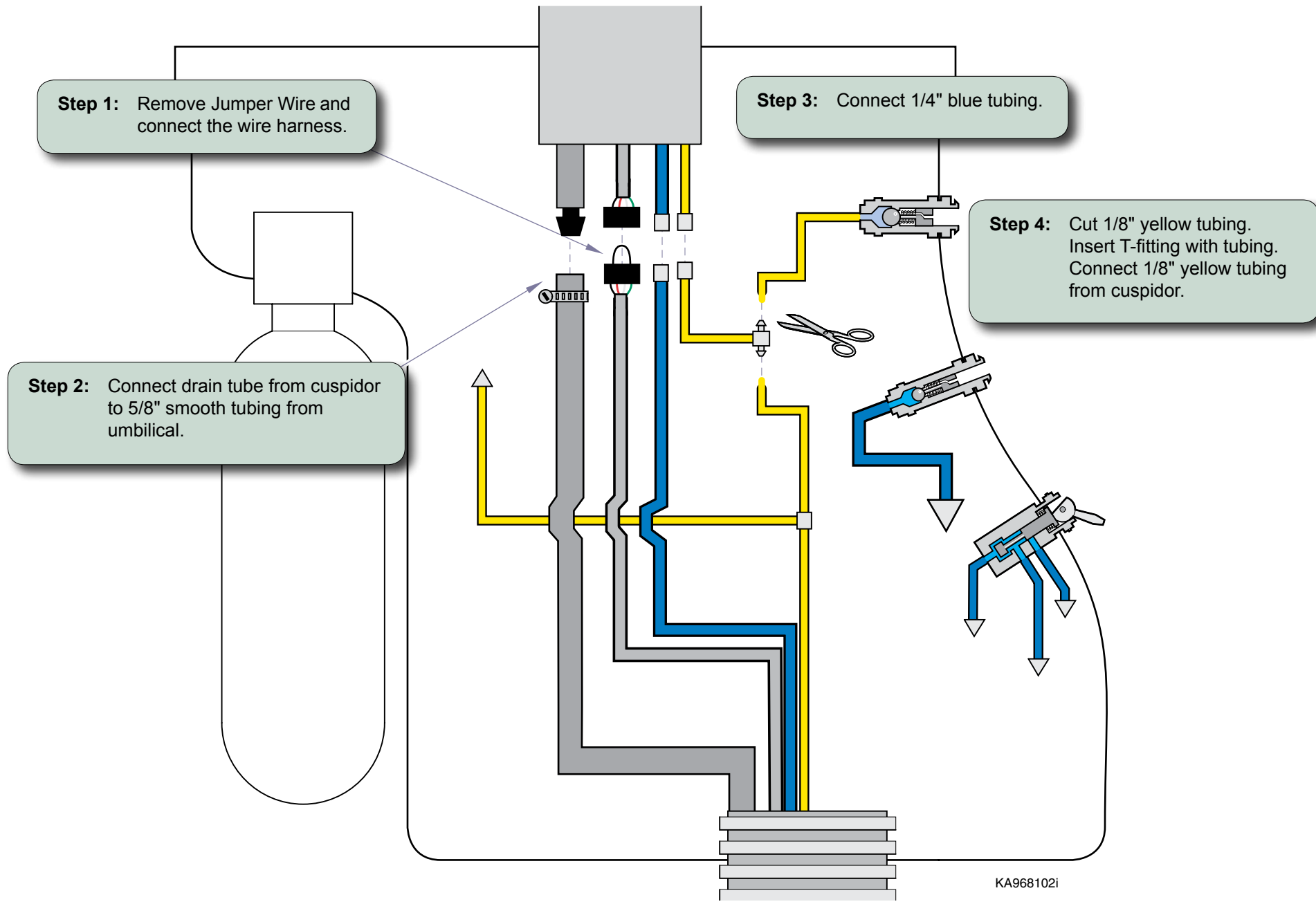
Note: The 5/8" RIBBED tubing is for an optional Assistant's Unit.

Step 1: Remove the J-box lid.

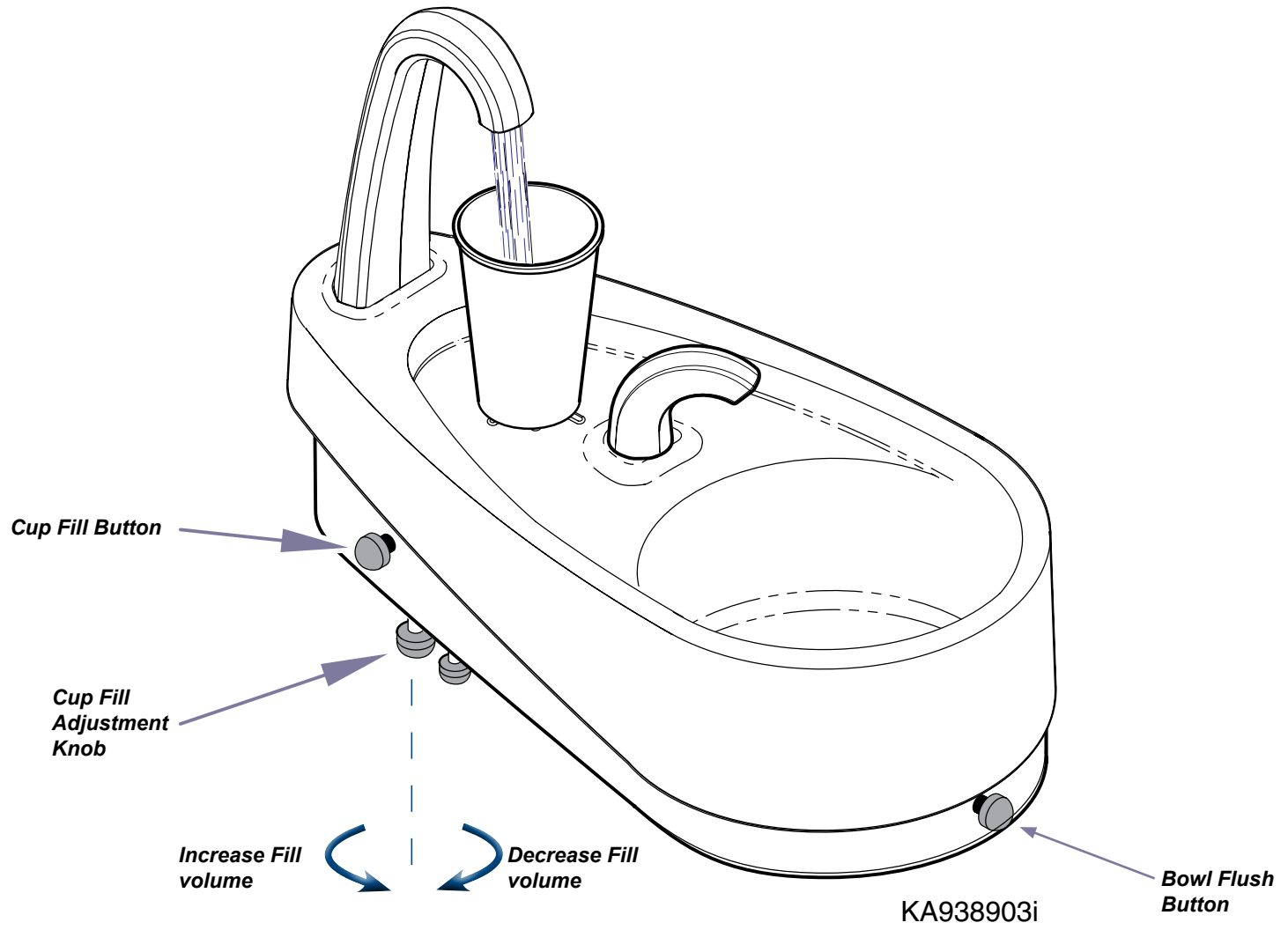


DA2391i

Cuspidor Tubing Layout



Cuspidor Control Buttons



Installation Checklist

Test	Verify the following:	✓
1	Pressing Cup Fill button activates the Cup Fill function.	
2	Pressing and holding the Cup Fill button runs water thru the spout, until button is released.	
3	Turning the Cup Fill Adjustment Knob allows you to modify the amount of water the Cup Fill function delivers.	
4	There are no leaks in the fill or drain connections or tubing.	

