



Procenter Delivery System Cabinet Installation

Applies to Models:
153839-004

Special Tools:
none

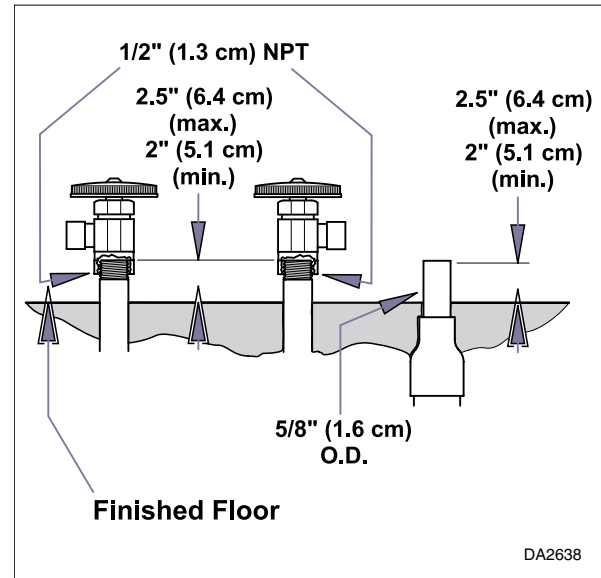
Language of origin: English

Equipment Alert
Must provide Air, Water and Electrical supply for Delivery System.
Dental System must be installed per local plumbing and electrical codes.
If using a Illuminated Handpiece, 115V~, 0.6 amp is required.

Note: Electrical only needed if until has optional Illuminated Handpiece.

Cabinet / Utilities Requirements

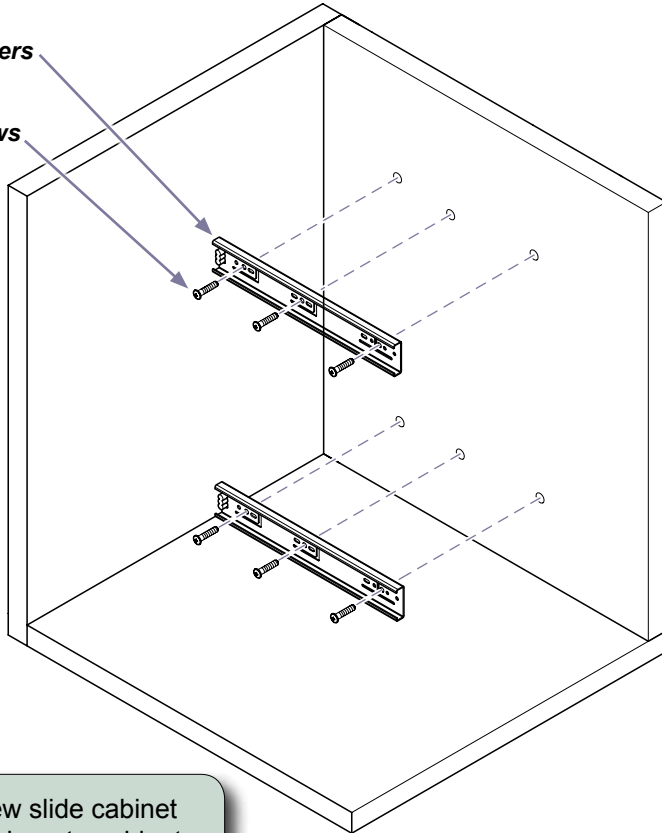
- Minimum cabinet interior dimension required are 10" wide x 17" deep x 25" high.
- Required: Cabinet floor opening to access utility connections and supplied regulators.
- A 1" diameter hole is required in cabinet toekick area to route the delivery system foot control into utilities area.
- Depending upon the delivery system options selected, utilities area must include connections for air, water, electrical supply and vacuum. All utilities must be installed per local plumbing and electrical codes by a licenced contractor. If using Illuminated Handpiece option, a medical-grade receptacle and circuit rated at 115V~, 60 Hz, 0.6 amp is required.



Step 1: Drill six 3/32 pilot hole locations for cabinet members with template provided with delivery system.

Cabinet Members

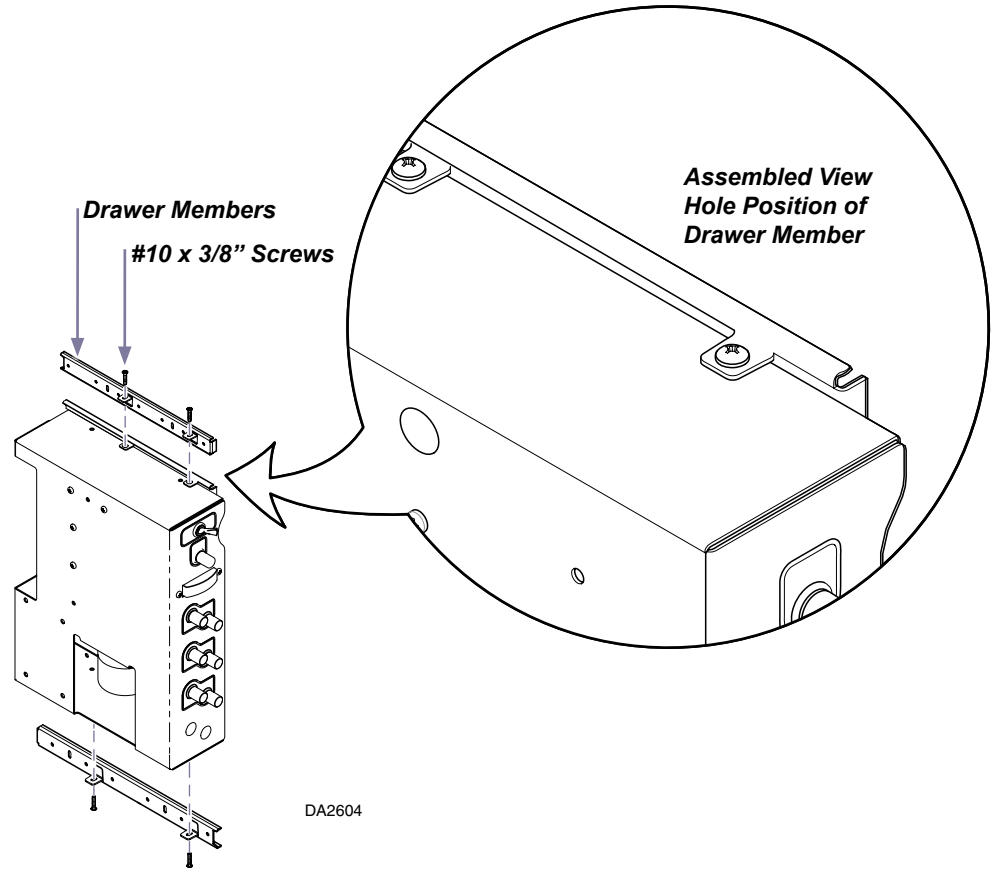
#8 x 3/4" Screws



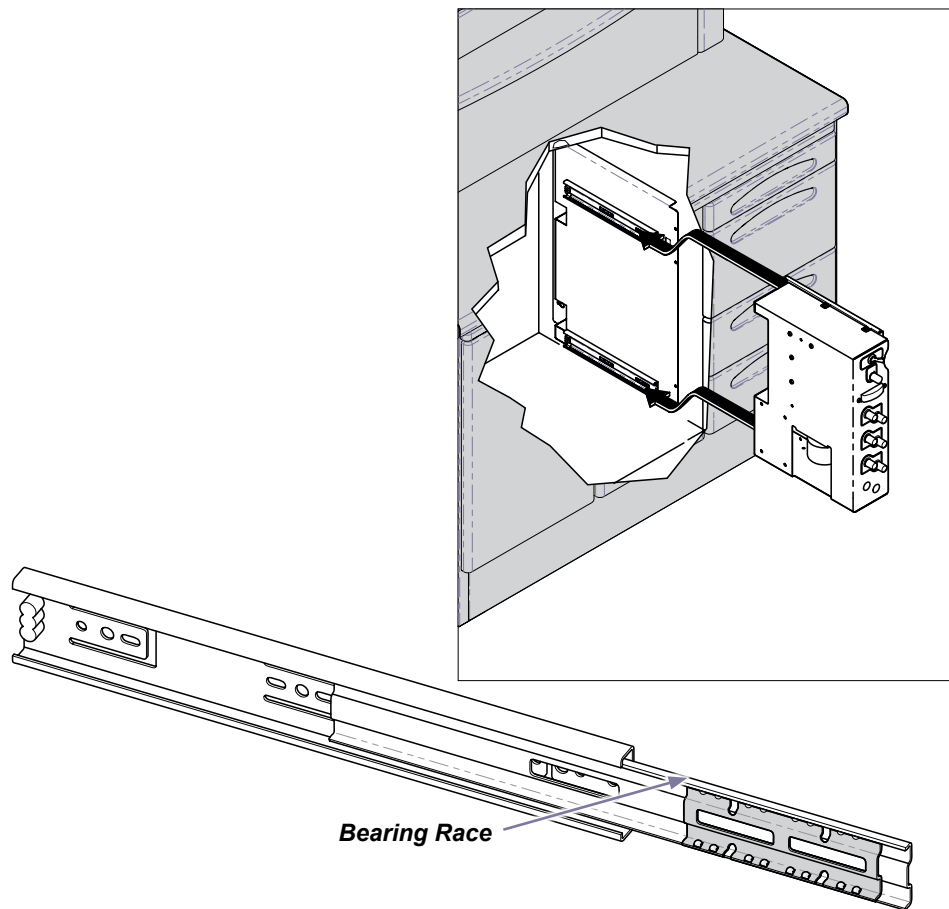
Step 2: Screw slide cabinet members to cabinet.

Drawer Members

#10 x 3/8" Screws



Step 3: Screw slide drawer members to control tray assembly.



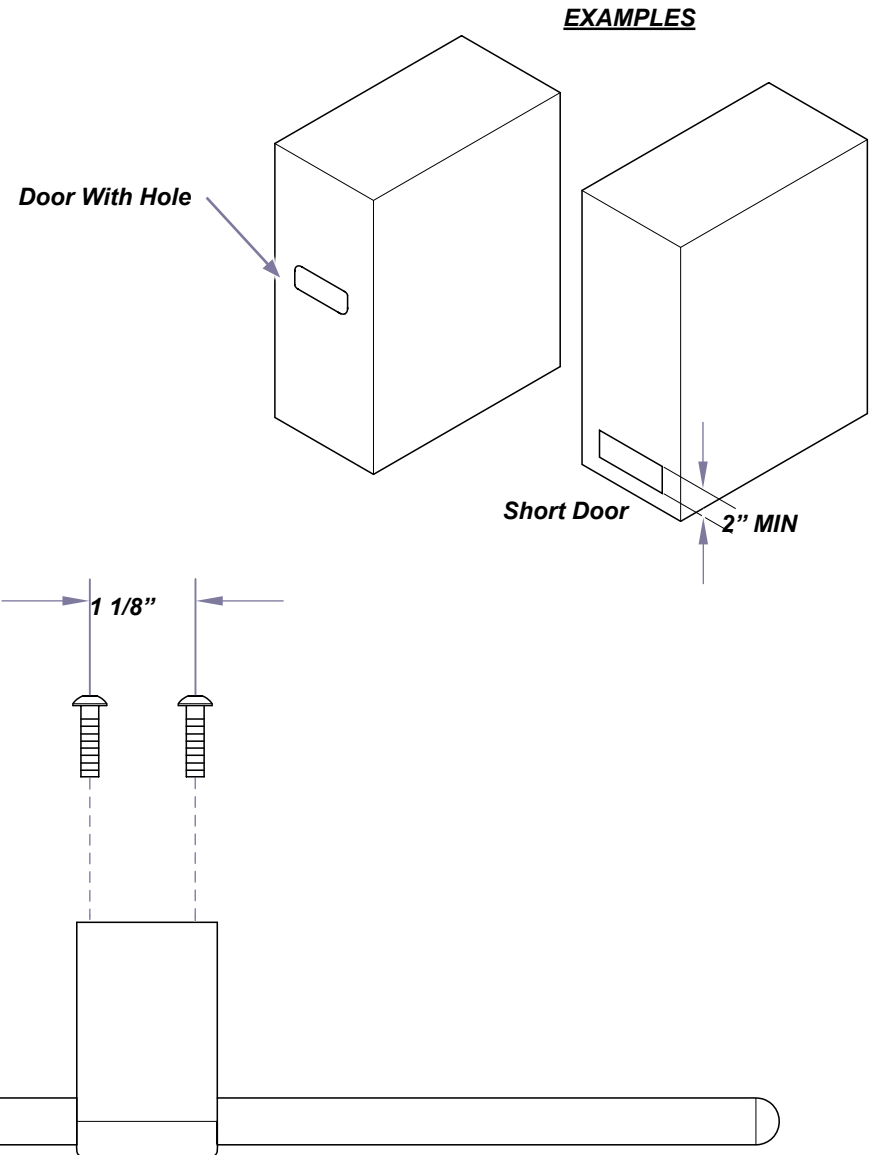
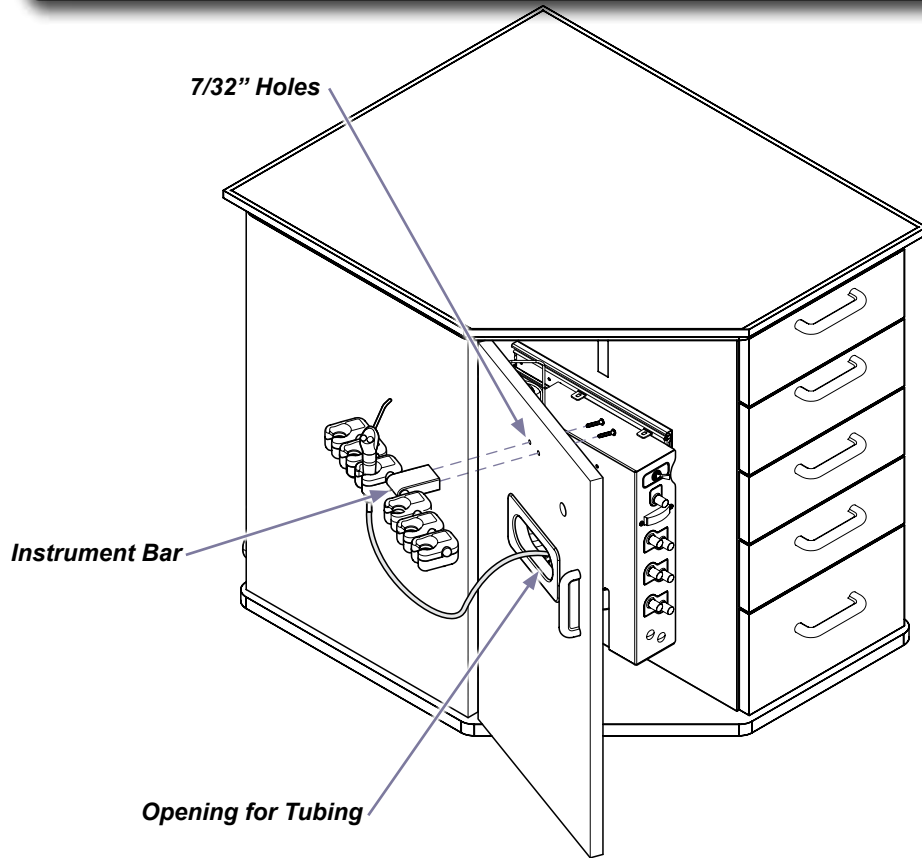
Step 5: Align top and bottom slides on control tray with slides on cabinet. Move carefully into position.

Step 4: Position bearing race at end of each slide that is attached to cabinet.

DA2605

Step 6: Mount Holder bar for instruments.

- A) Mark mounting locations on cabinet. Must be located in front of control tray panel.
Installer must add hole in cabinet door or provide opening at the bottom of the door for instrument tubing to go inside cabinet.
- B) Drill two 7/32" holes at 1 1/8" spread.
- C) Mount bar using two #10 screws provided.

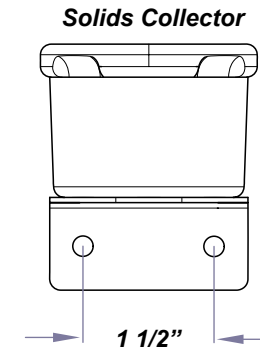
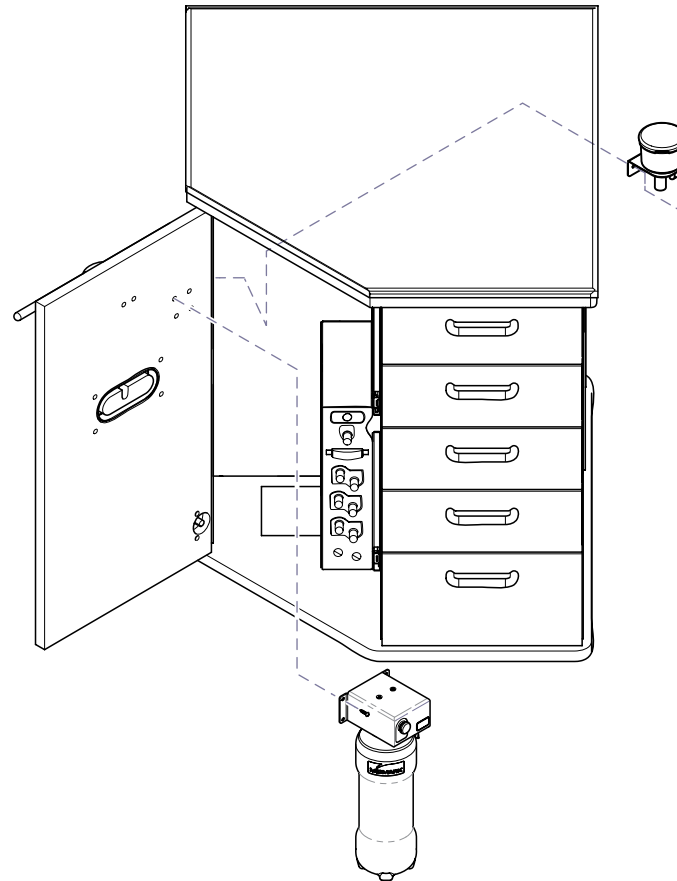
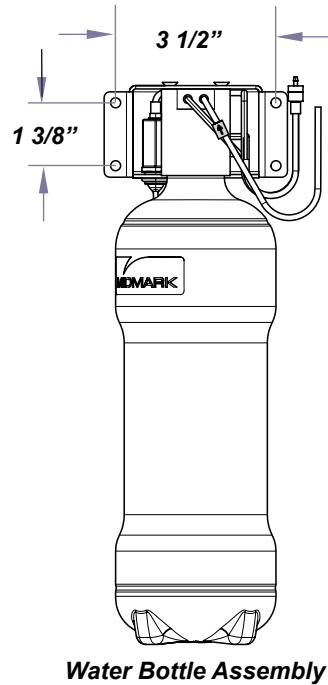


DA2606

Step 7: Mount Water Bottle Assembly. (If Supplied)

- A) Mark mounting locations in cabinet. Must be located across from control tray panel or inside door.
- B) Drill four 3/32" pilot holes. Refer to dimensions in picture.
- C) Mount water bottle assembly using four #8 x 3/4" screws provided.

Note: May use bracket to mark pilot hole spread.



DA2607

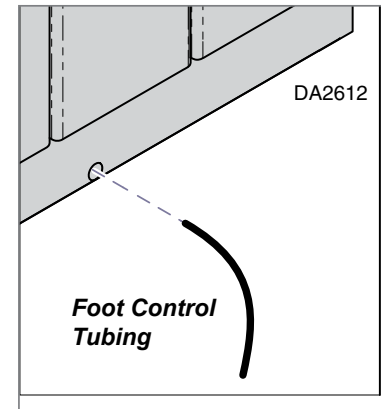
Step 8: Mount Solids Collector. (If Supplied)

- A) Mark mounting locations in cabinet. Must be located across from control tray panel.
- B) Drill two 3/32" pilot holes. Refer to dimensions in picture.
- C) Mount solids collector using two #8 x 3/4" screws provided.

Note: May use bracket to mark pilot hole spread.

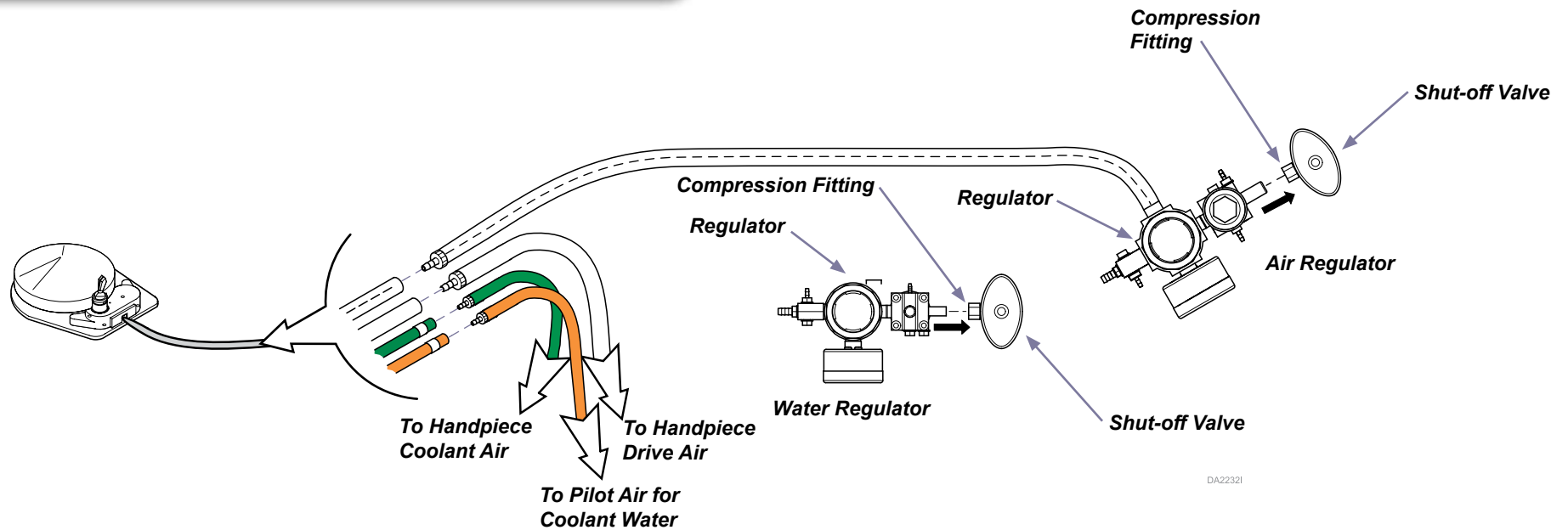
Step 9: Install Foot Control and Make Tubing Connections.

- A) Route tubing through 1" hole in cabinet toe kick.
- B) Make air and water connections according to tubing diagrams on the following pages.



Step 10: Install Air and Water Regulators.

Refer to diagrams in this manual for other air and water connections.



153839 (-001 thru -004) Water Bottle Assembly

