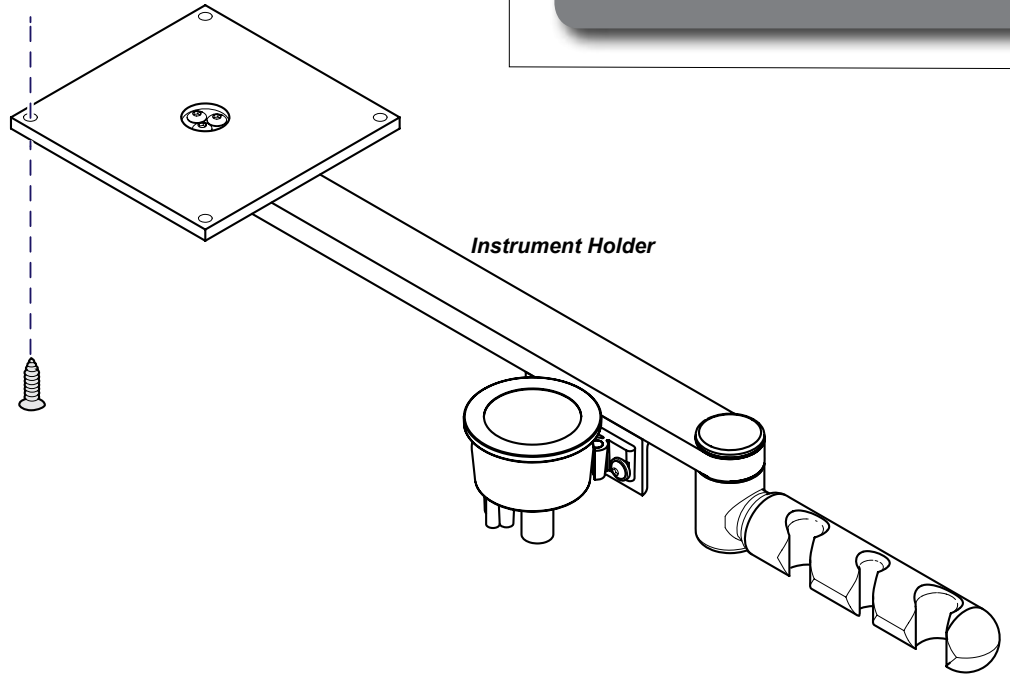
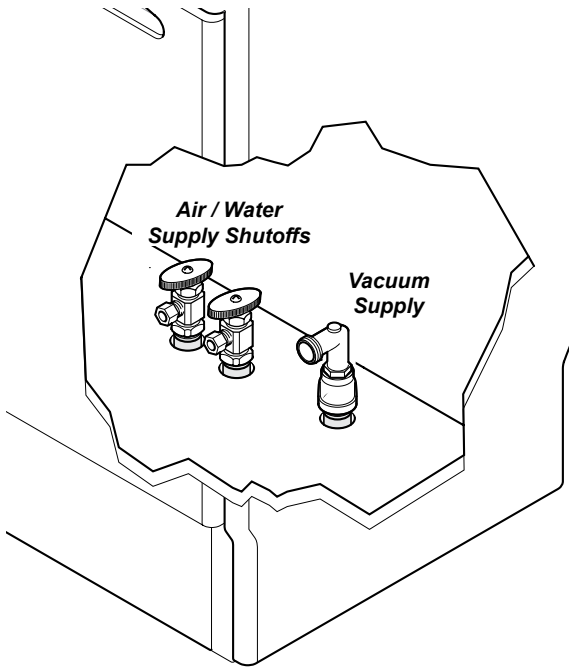




Vacuum Instrument Holder: Cabinet Mounted [153328]

Accessory Kit:
153280..... Vacuum Instrument Holder
Special Tools: none
Language of origin: English

Step 1: Shut off Air / Water Supply.
A) Shut off Air at Air Supply Shutoff.
B) Shut off Water at Water Supply Shutoff.



Step 2: Install Instrument Holder Assembly.
A) Mount the instrument holder to a sturdy cabinet using four screws (not supplied) appropriate for the mounting surface.
B) Rotate the holder arm checking clearance and freedom of movement.

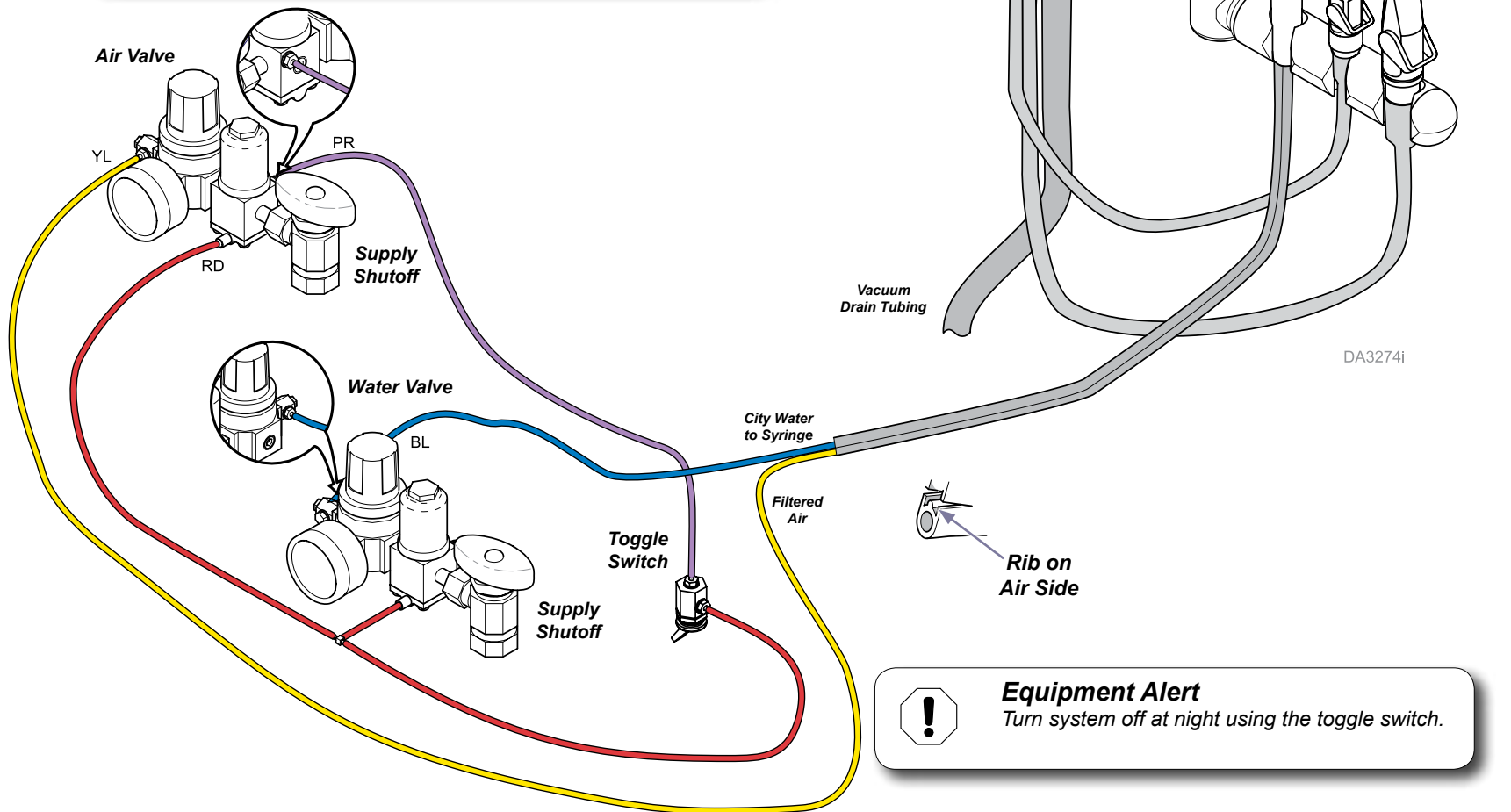
DA3264i

Step 3: Connect Instruments.

- A) Connect toggle switch to air and water valves.
- B) Connect syringe to water and air supplies as shown.
- C) Connect HVE and saliva ejector tubing to vacuum cup
- D) Connect vacuum (drain tubing) from supply to vacuum cup.

Step 4: Turn on and test.

- A) Open Water and Air supplies at the shutoffs.
- B) Test operation of instruments and verify that there are no leaks at the switch connections.



Equipment Alert

Turn system off at night using the toggle switch.