



Harness Jumper Kit [002-1618-00]

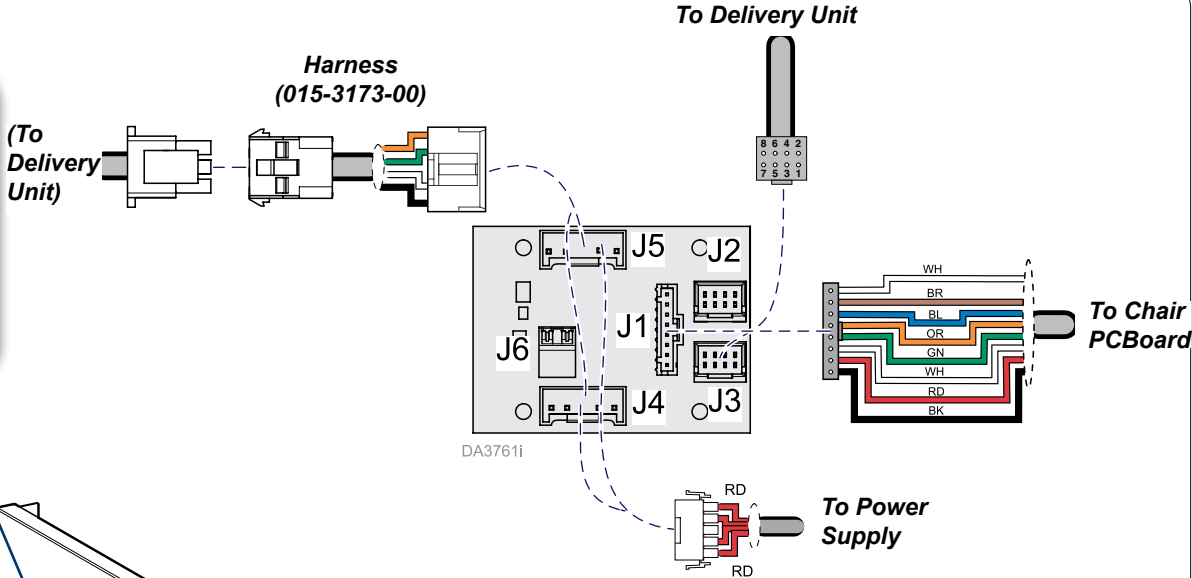
- Components:**
 Harness 4
 PCBoard 1
- Special Tools:**
 Wire Strippers
 Small Screwdriver

Note
 Applies to Procenter Delivery Systems (delivery unit, assistant's unit, and cuspidor) installed on Ultra-series chairs. Pages 1 - 3 only for Ultra-series chair with S/N after V1314209 and Procenter Units with S/N before V1314361. Pages 4 - 6 only for Ultra-series chair with S/N before V1314209 and Procenter Units with S/N after V1314361.

Delivery Unit - LR / Console

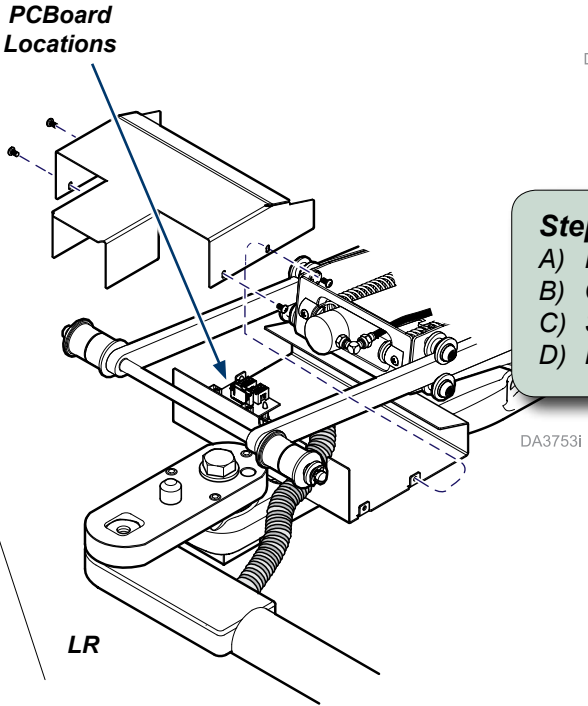
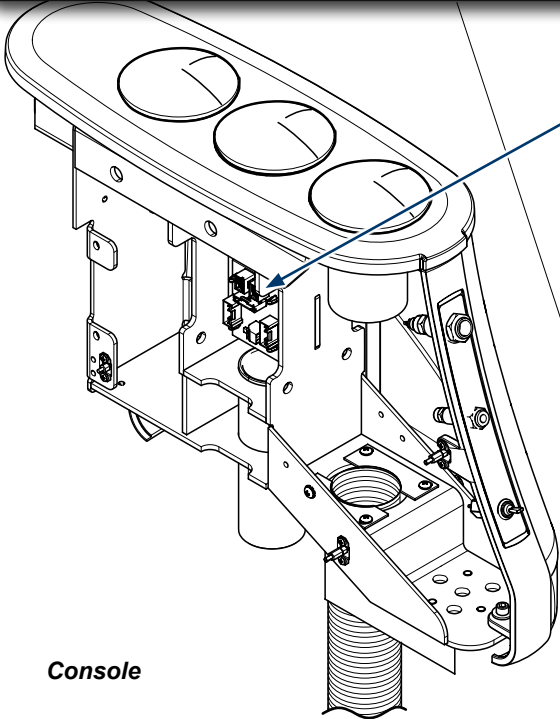
WARNING
 Always disconnect the power source before removing any covers. Failure to do so may result in personal injury.

Step 1: Remove PC Board.
 A) Disconnect power source.
 B) Remove cover(s) (and screws for LR mounted).
 C) Disconnect wire connections and remove PC Board.



Step 2: Wire Connections.
 A) Install new PC Board.
 B) Connect wiring as shown. Connect harness 015-3173-00.
 C) Secure any loose wires.
 D) Install covers.

Step 3: Finalize installation.
 A) Connect power source.
 B) Verify operation.



TP200 Rev. A

Assistant's Unit - LR / Console



WARNING

Always disconnect the power source before removing any covers. Failure to do so may result in personal injury.

Step 1: Remove PC Board.

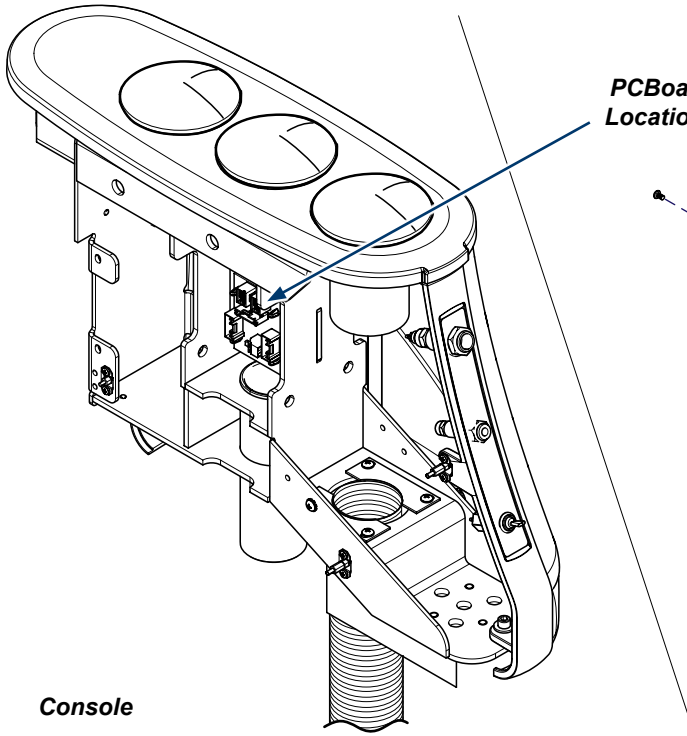
- A) Disconnect power source.
- B) Remove cover(s) (and screws for LR mounted).
- C) Disconnect wire connections and remove PC Board.

Step 2: Install PC Board.

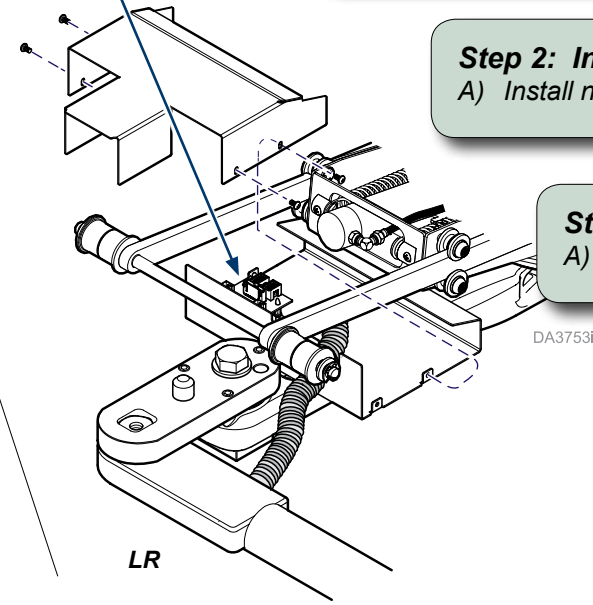
- A) Install new PC Board.

Step 3: Install Assistant's Unit.

- A) Follow installation instructions included with the Assistant's unit.



PCBoard Locations



Console

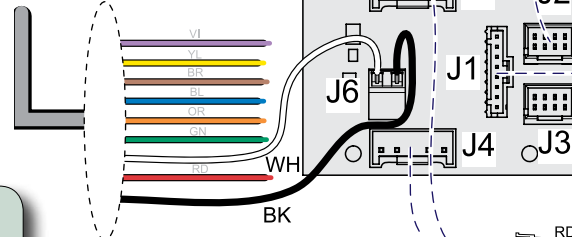
LR

Note: For LR, route cables through chair to PC Board.

Step 4: Wire Connections.

- A) Connect wiring to PC Board as shown.
- B) Secure any loose wires.
- C) Install covers.

To Assistant's Unit

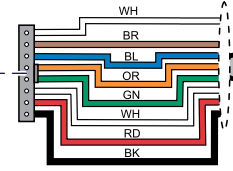


DA3754i

To Assistant's Unit



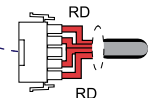
To Chair PCBoard



Step 5: Finalize installation.

- A) Connect power source.
- B) Verify operation.

To Power Supply



For Cuspidor (Rear) Only

Note

For console cuspidor, follow installation instructions included with the cuspidor.

Step 1: Remove covers.

A) Remove any covers to access current harness connection.

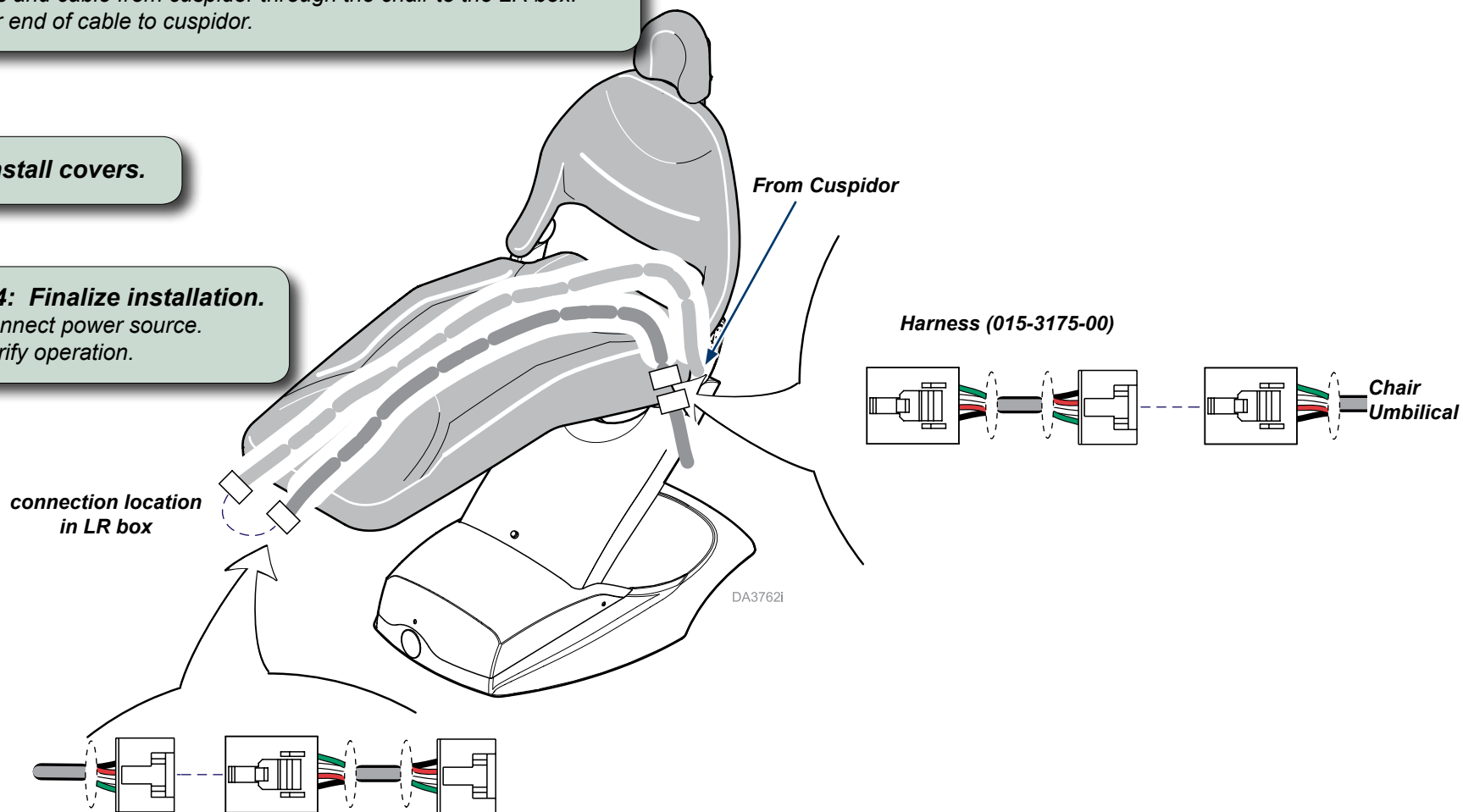
Step 2: Install harness.

A) Connect harness 015-3175-00 at the back of the chair to the chair umbilical.
B) Route harness and cable from cuspidor through the chair to the LR box.
C) Connect other end of cable to cuspidor.

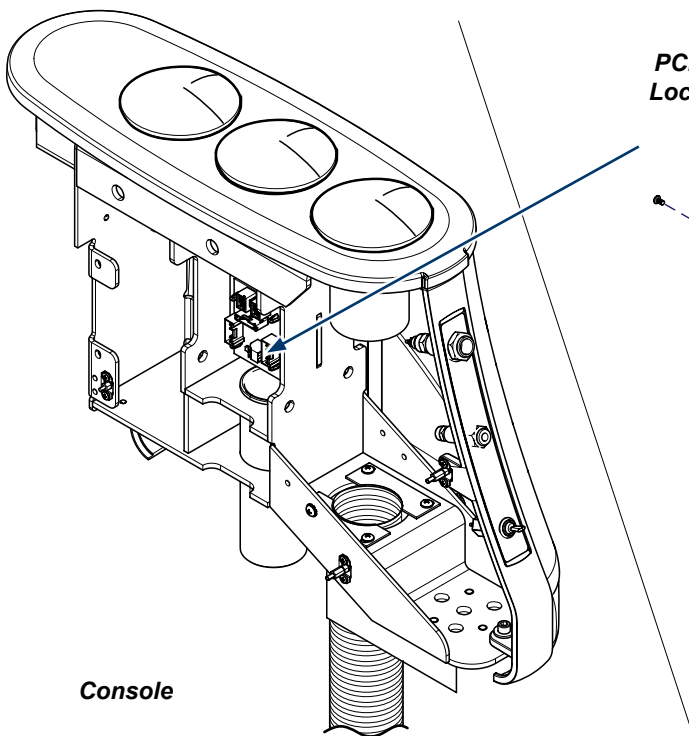
Step 3: Install covers.

Step 4: Finalize installation.

A) Connect power source.
B) Verify operation.



Delivery Unit - LR / Console



PCBoard Locations



WARNING

Always disconnect the power source before removing any covers. Failure to do so may result in personal injury.

Step 1: Remove PC Board.

- A) Disconnect power source.
- B) Remove cover(s) (and screws for LR mounted).
- C) Disconnect wire connections and remove PC Board.

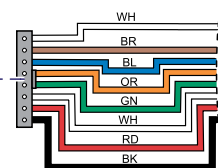
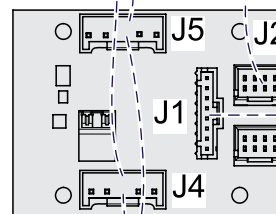
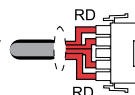
Console

LR

DA3753i

To Delivery Unit

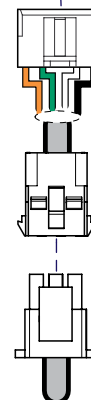
To Delivery Unit



To Chair
PCBoard

DA3756i

Harness
(015-3173-00)



To Power
Supply

To Chair Umbilical

Step 2: Wire Connections.

- A) Install new PC Board.
- B) Connect wiring as shown. Connect harness 015-3173-00.
- C) Secure any loose wires.
- D) Install covers.

Step 3: Finalize installation.

- A) Connect power source.
- B) Verify operation.

Assistant's Unit - LR / console

Step 1 - 3: Remove/Install PC Board and Install Assistant's Unit.

A) Complete Steps 1 - 3 from previous "Assistant's Unit - LR / Console" page.

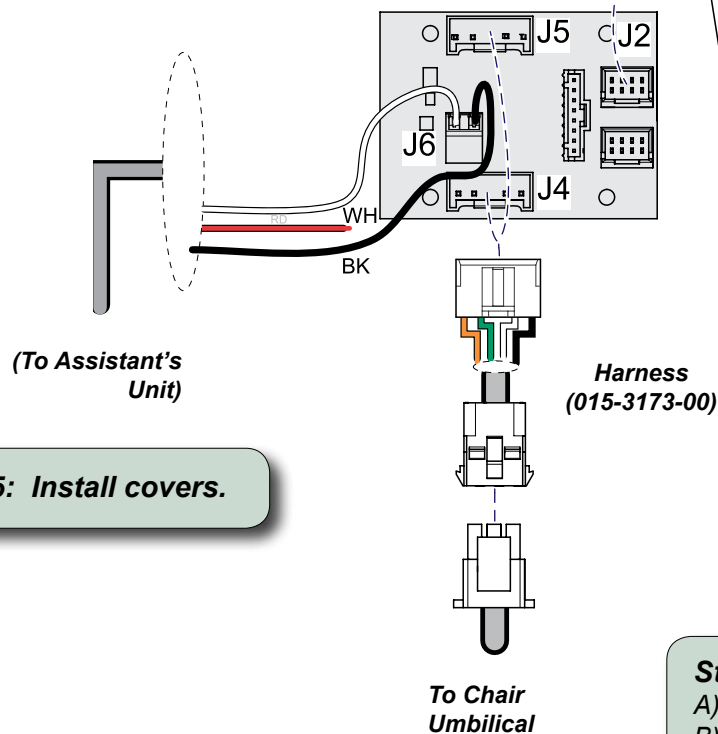
Step 4b: Install harnesses.

- Connect harness 015-3174-00 to assistant's umbilical.
- Connect harness 015-2568-00 to assistant's umbilical.
- Route both cables through chair to LR hub or console area.
- Connect wiring as shown.
- Connect harness 015-3173-00 to chair umbilical and attach to PCB as shown.

Step 4a: Install harnesses.

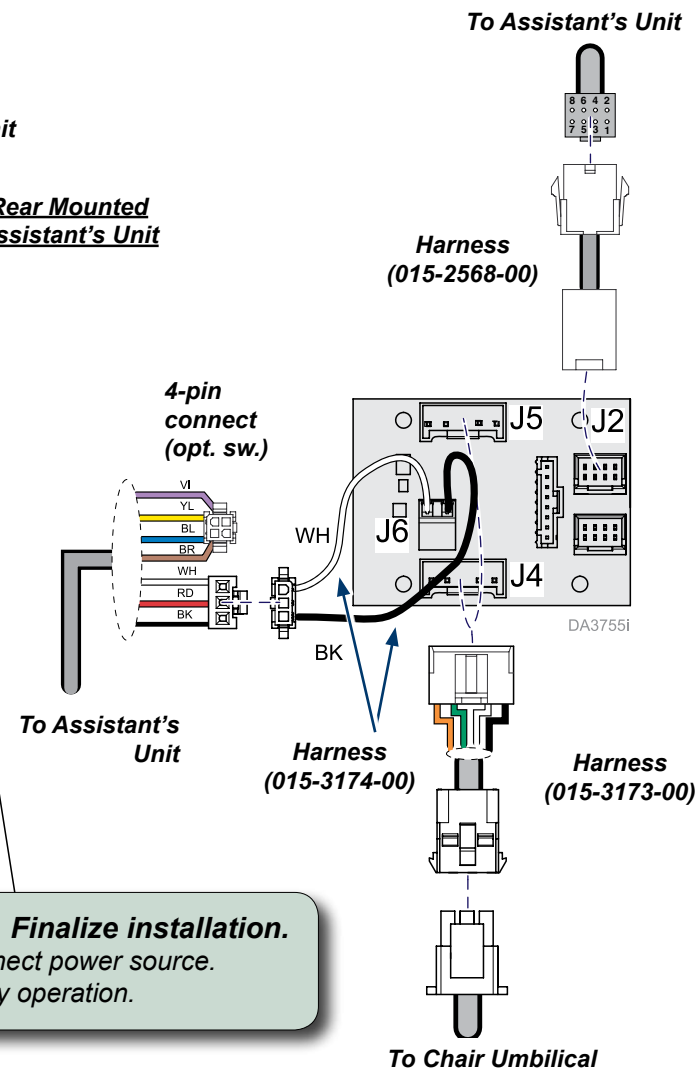
- Connect black and white wires to J6 on PC Board as shown.
- Connect harness 015-3173-00 to chair umbilical and attach to PCB as shown.

Console Mounted Assistant's Unit



Step 5: Install covers.

Rear Mounted Assistant's Unit



Step 6: Finalize installation.

- Connect power source.
- Verify operation.

For Cuspidor (Rear) Only

Note

For console cuspidor, follow installation instructions included with the cuspidor.

Step 1: Remove covers.

A) Remove any covers to access current harness connection.

Step 2: Install harness.

- A) Connect harness at the back of the chair to the cuspidor umbilical.
- B) Route harness from cuspidor through the chair to the LR box.
- C) Connect other end of cable to chair.

Step 3: Install covers.

Step 4: Finalize installation.

- A) Connect power source.
- B) Verify operation.

