




MX2 Dual Digital Electric Handpieces [153900-007] for Procenter Delivery Units

Contents:
Bien Air Package..... 1

Special Tools:
none

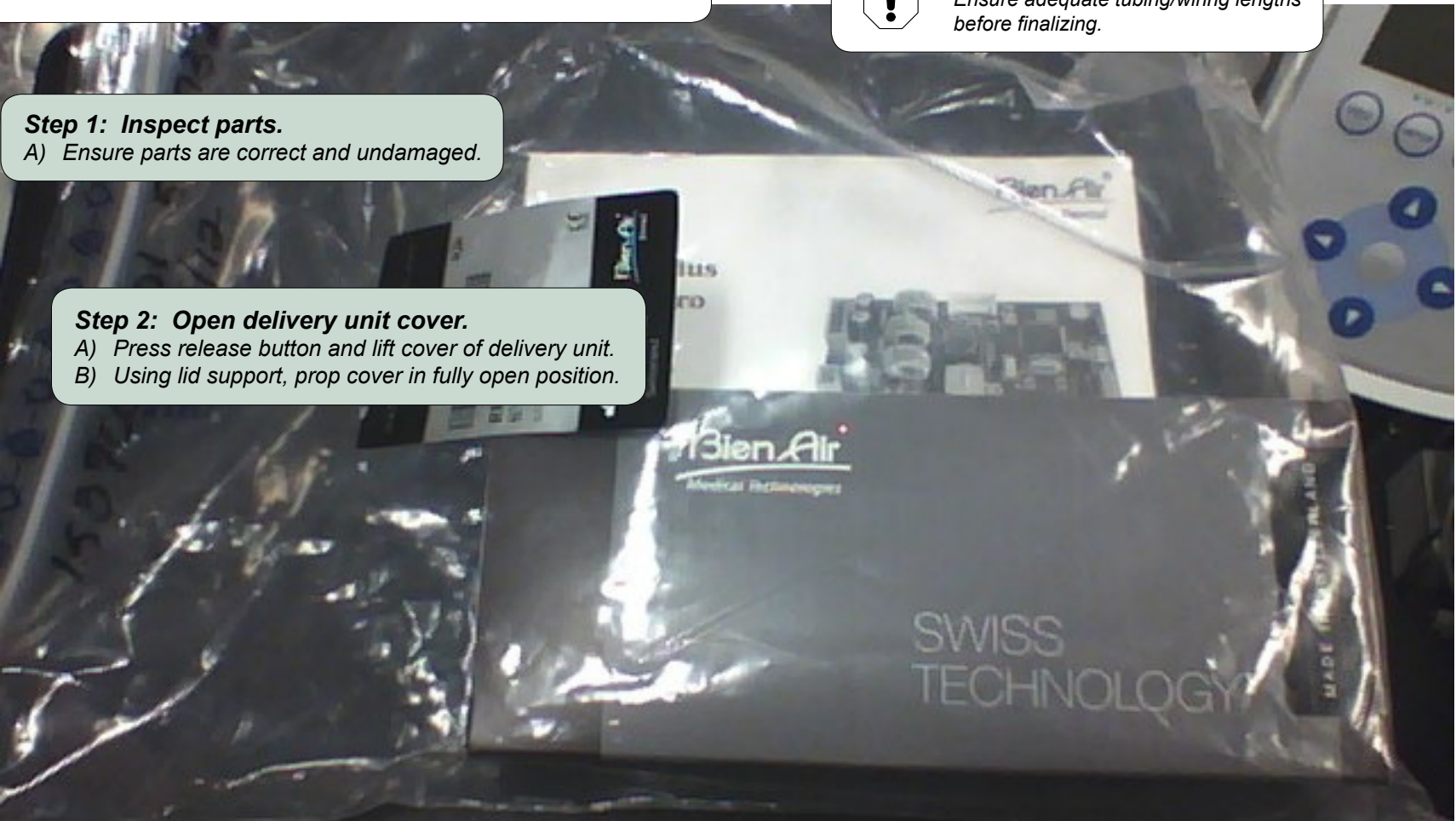
Note
Confirm the desired position to install the MX2 dual digital electric handpiece and pre-assemble all possible components before beginning installation.

 **WARNING**
Disconnect power, shut off air and water before performing this procedure.

 **Equipment Alert**
Ensure adequate tubing/wiring lengths before finalizing.

Step 1: Inspect parts.
A) Ensure parts are correct and undamaged.

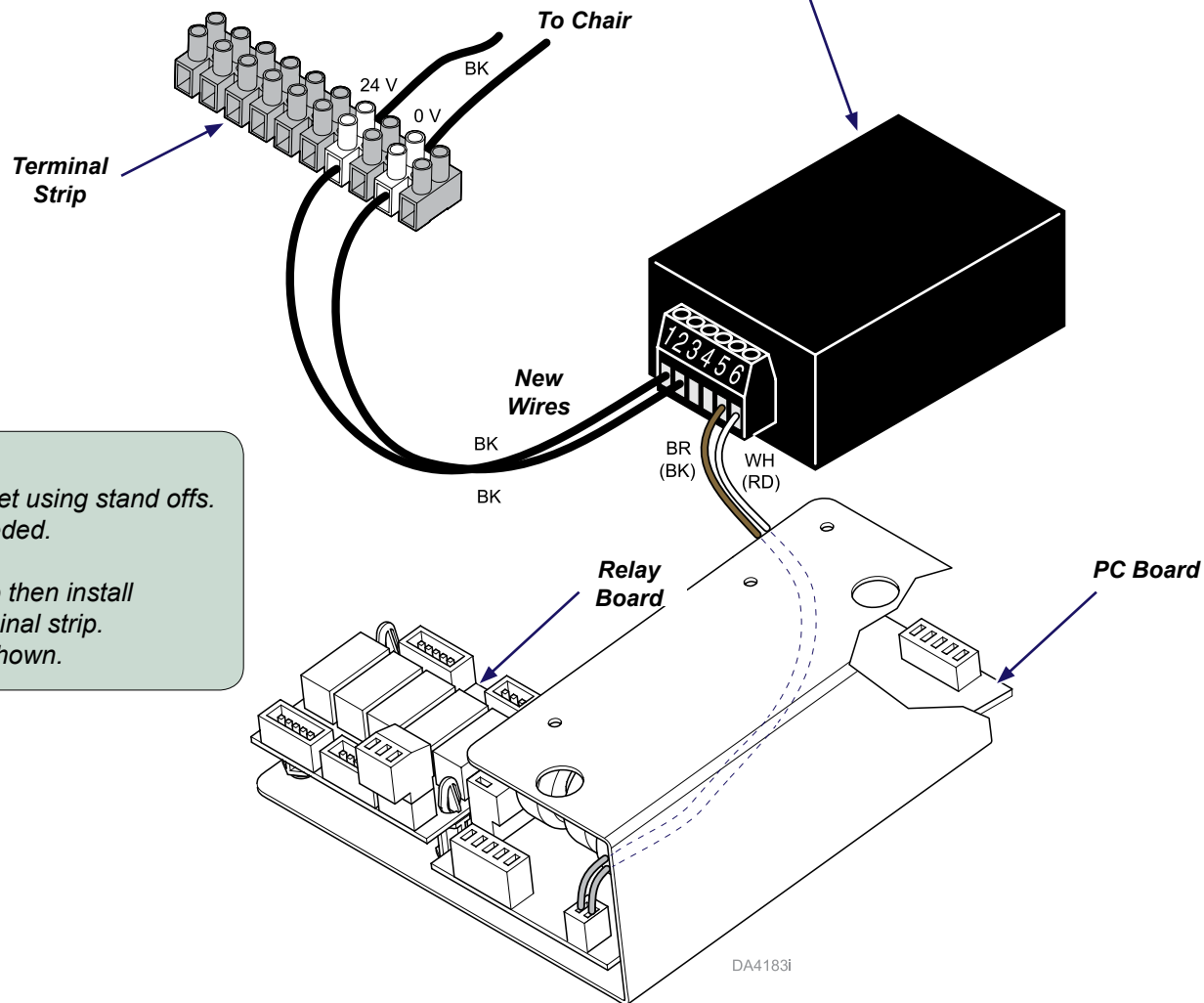
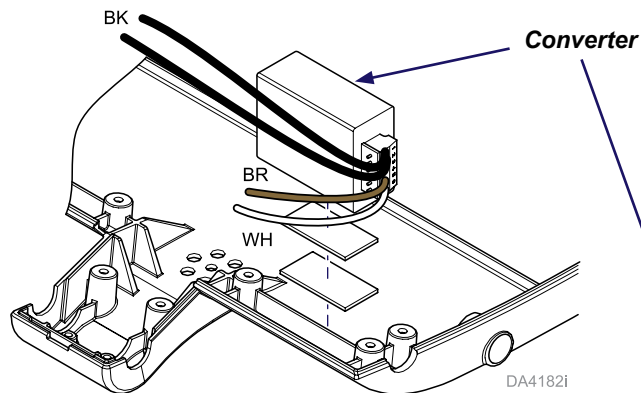
Step 2: Open delivery unit cover.
A) Press release button and lift cover of delivery unit.
B) Using lid support, prop cover in fully open position.



DA4197

Step 3: Mount converter to unit housing.

- A) Apply velcro to unit housing and converter.
- B) Position converter and apply pressure to secure.
- C) Route converter wires through delivery unit.



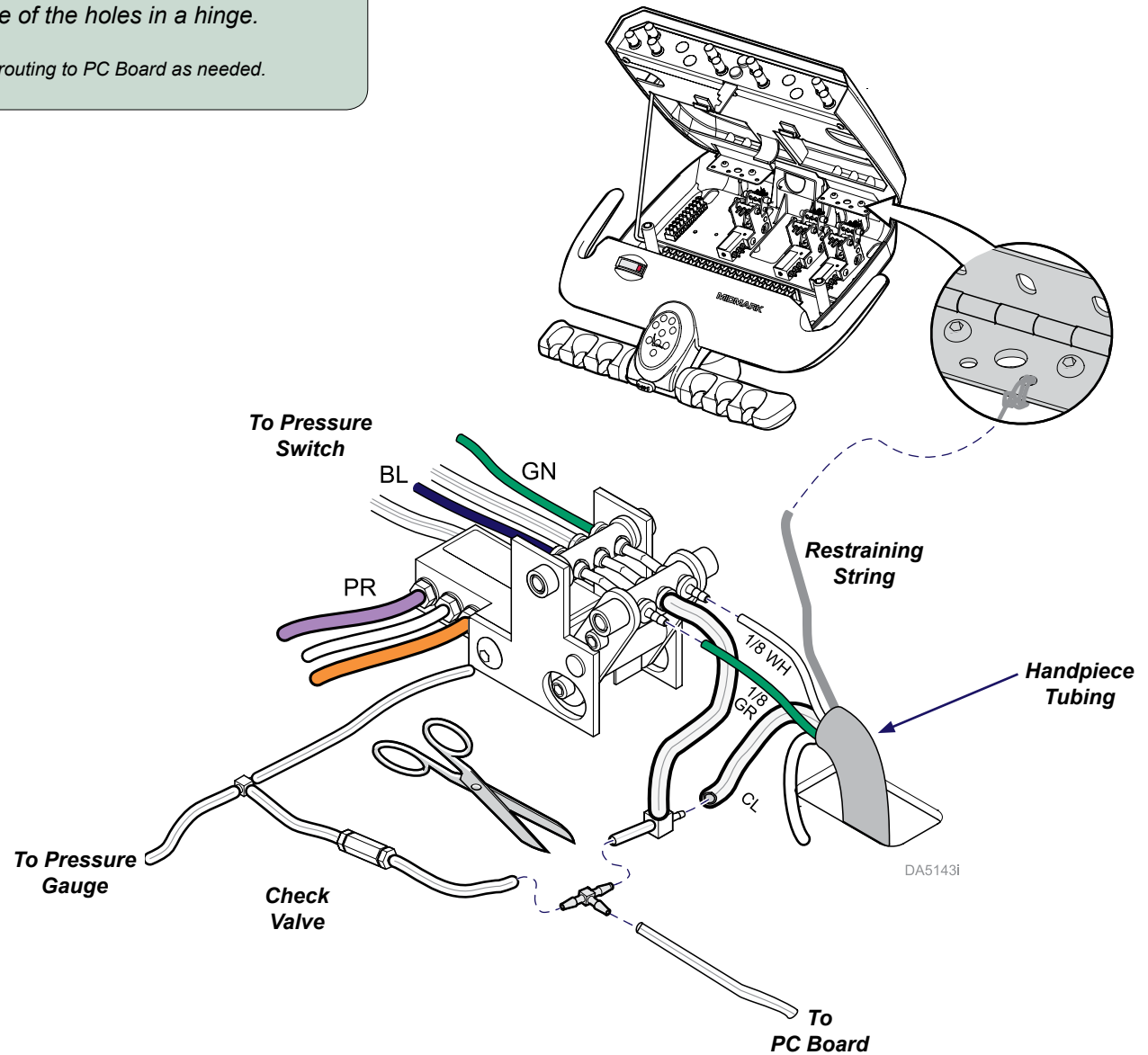
Step 4: Connect converter wiring.

- A) Place PC Board and relay board in bracket using stand offs.
- B) Add extensions to converter wires as needed.
- C) Secure wiring in connectors as needed.
- D) Remove existing wires from terminal strip then install both existing wires and new wires in terminal strip.
- E) Connect all connectors to PC Board as shown.

Step 5: Connect handpiece tubing to each kink valve.

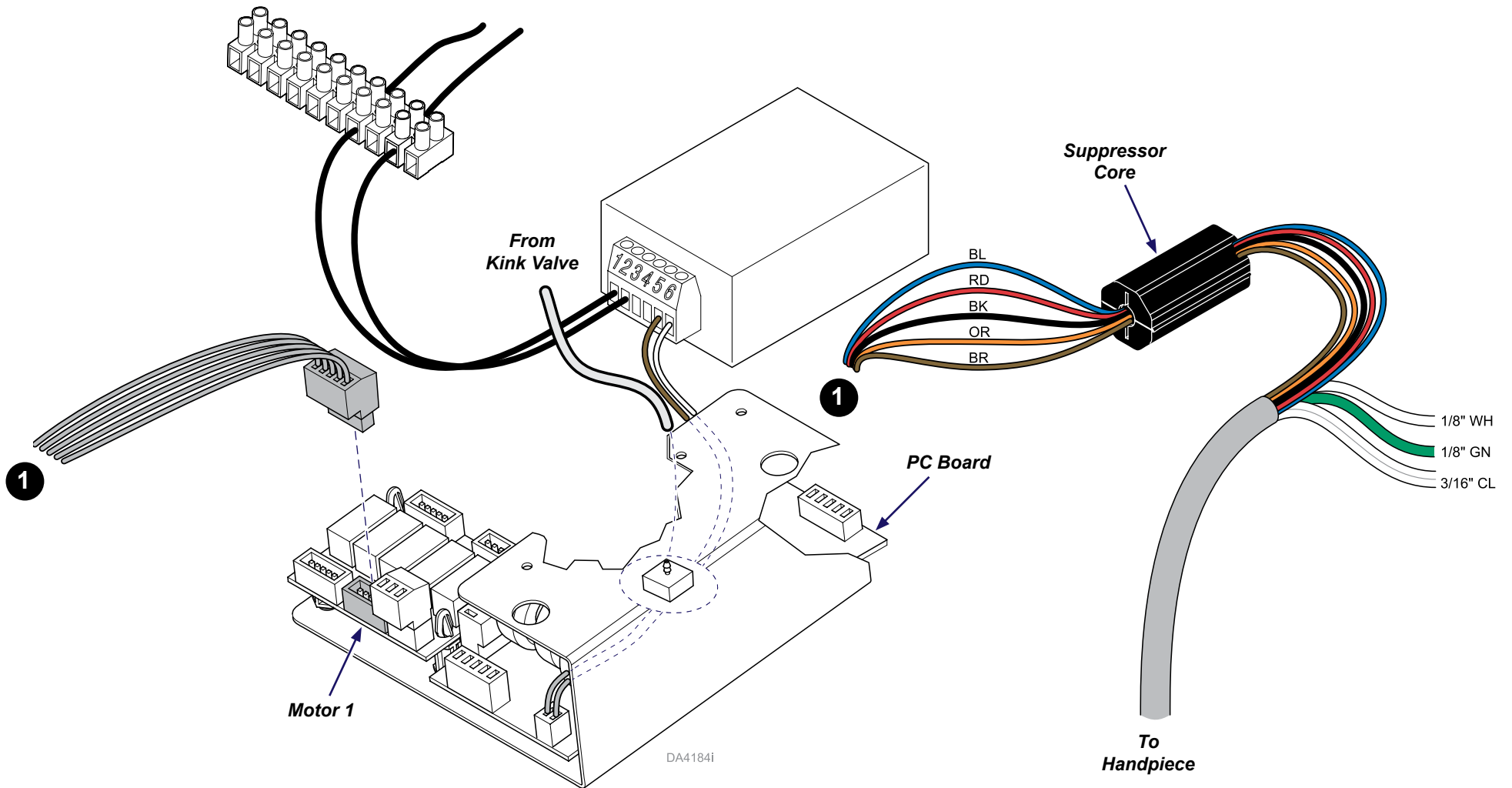
- A) Connect 1/8" green & 1/8" blue tubing to kink valve as shown.
- B) Connect clear tubing to T-fitting.
- C) Connect tubing from PC board to T-fitting.
- D) Tie off restraining string to one of the holes in a hinge.

Note: Splice second T-fitting on tubing routing to PC Board as needed.



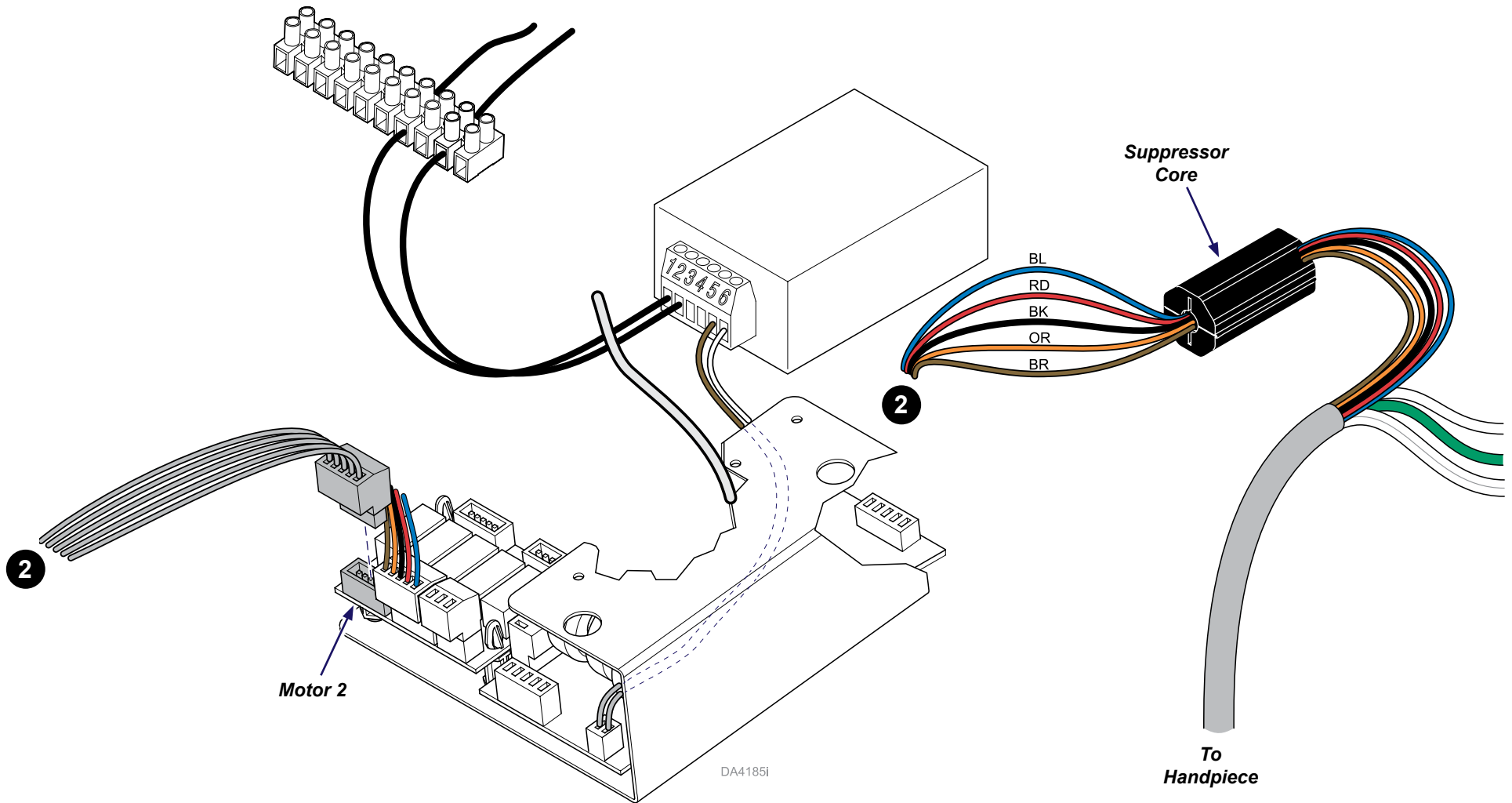
Step 6: Connect handpiece wiring to motor 1 port.

- A) Route wiring as needed.
- B) Add snap-in suppressor core to wire group.
- C) Secure wiring in connectors.
- D) Connect tubing from kink valve(s) to PC Board as shown.
- E) Connect handpiece wiring to relay board as shown.



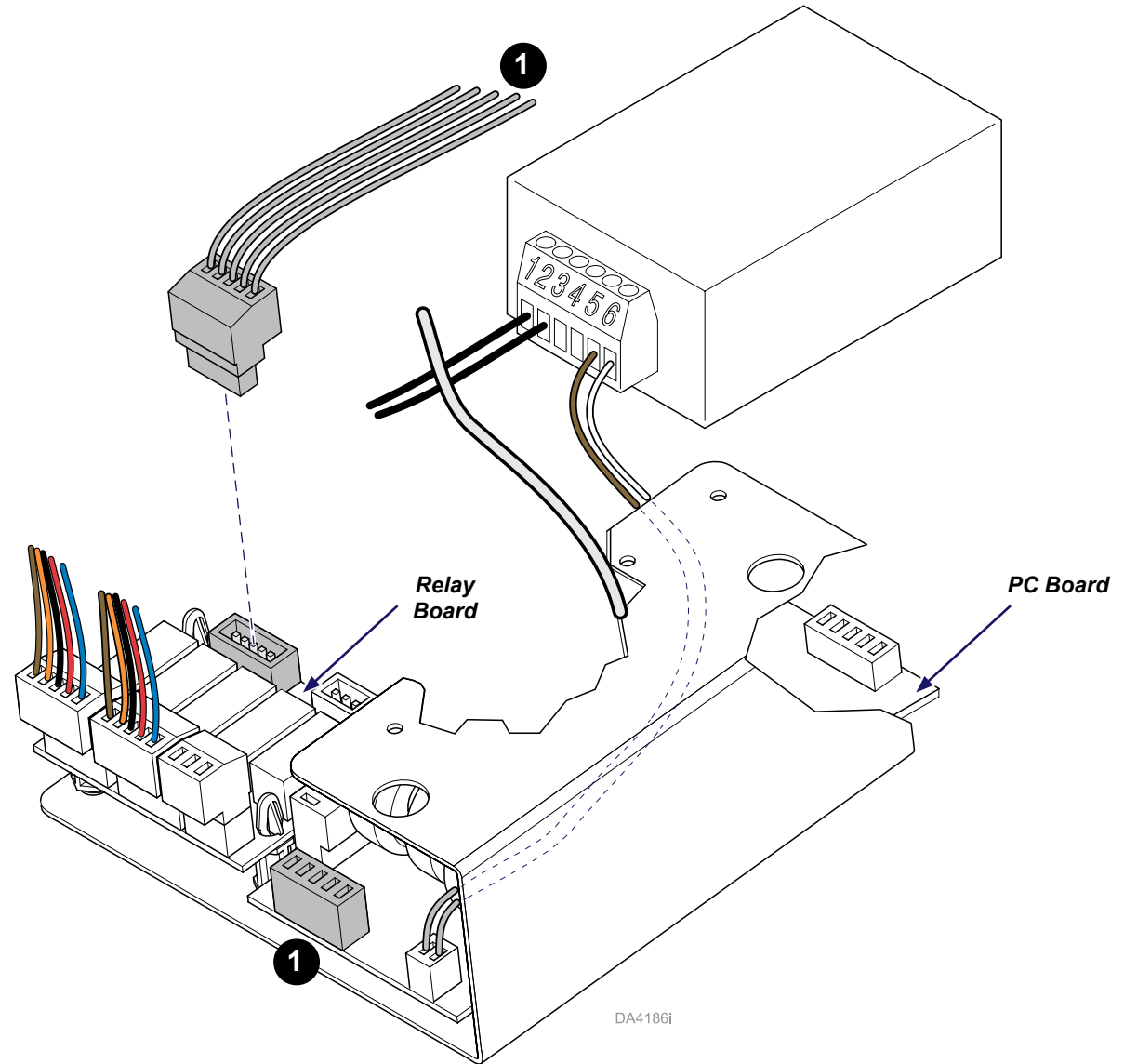
Step 7: Connect handpiece wiring to motor 2 port.

- A) Route wiring as needed.
- B) Add snap-in suppressor core to wire group.
- C) Secure wiring in connectors.
- D) Connect handpiece wiring to relay board as shown.



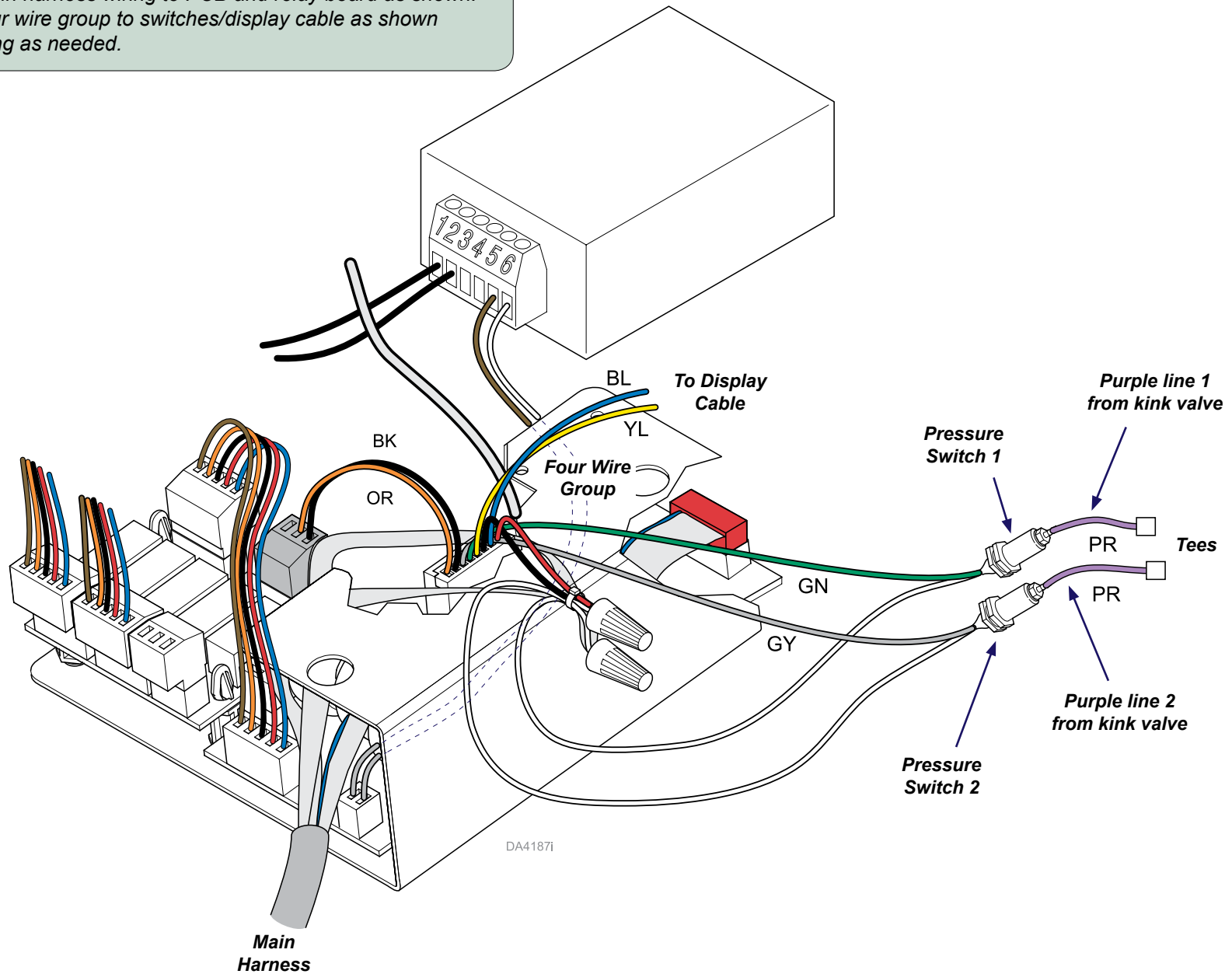
Step 8: Connect harness.

- A) Route wiring as needed.
- B) Secure wiring in connectors.
- C) Connect harness wiring from PCB to relay board as shown.



Step 9: Connect main harness (PCB/relay board end).

- A) Route wiring as needed.
- B) Secure wiring in connectors.
- C) Connect main harness wiring to PCB and relay board as shown.
- D) Connect four wire group to switches/display cable as shown while labeling as needed.



Step 10: Install brackets.

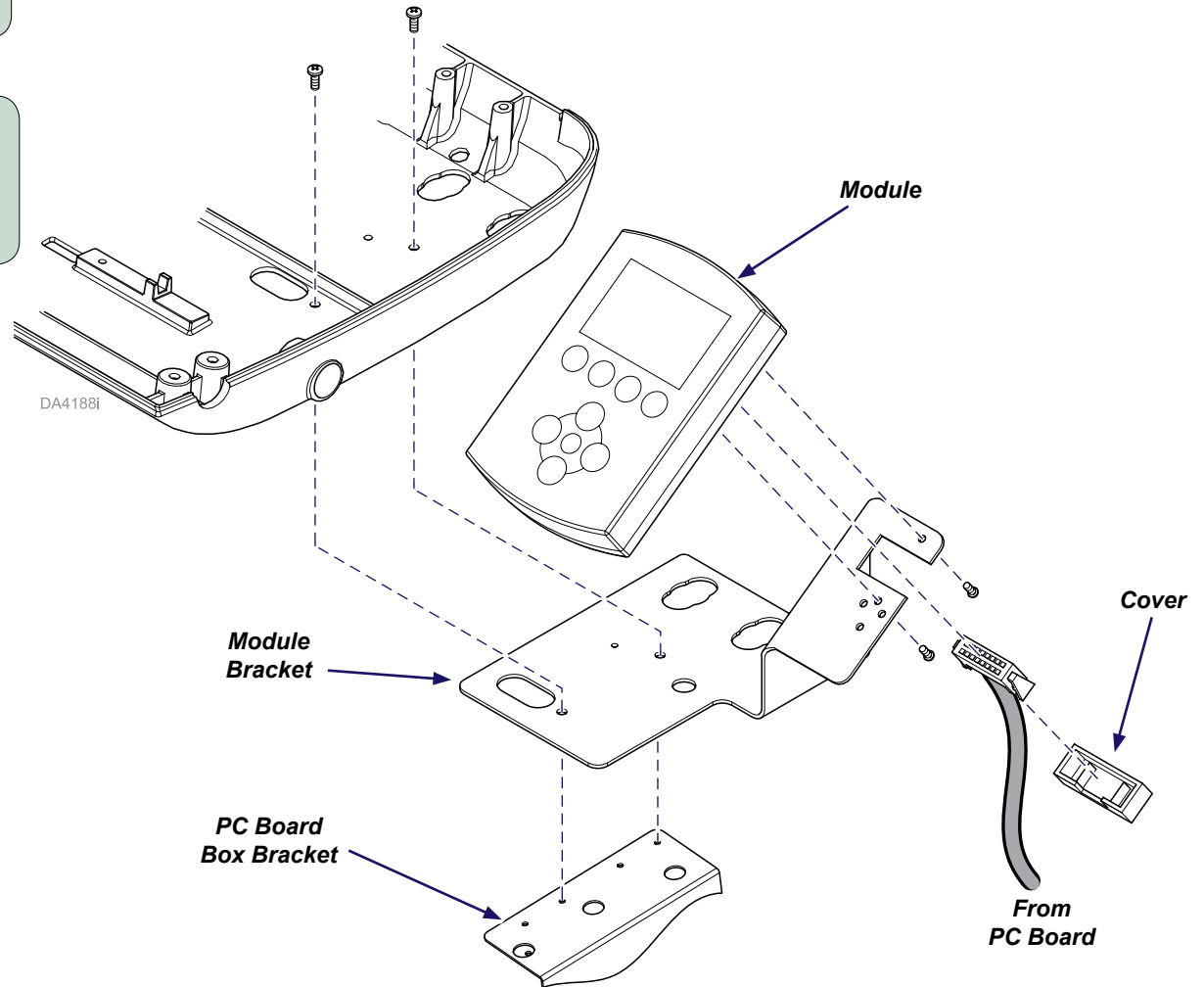
- A) Place PC Board Box bracket and module bracket as shown.
- B) Install bracket using two screws through holes in unit housing.

Step 11: Mount PC Board in Box.

- A) Snap cover halves together to secure box.
- B) Position PC Board wire harnesses over box top and place the PC Board Box into the bracket.
- C) Use cable ties to group wires together.

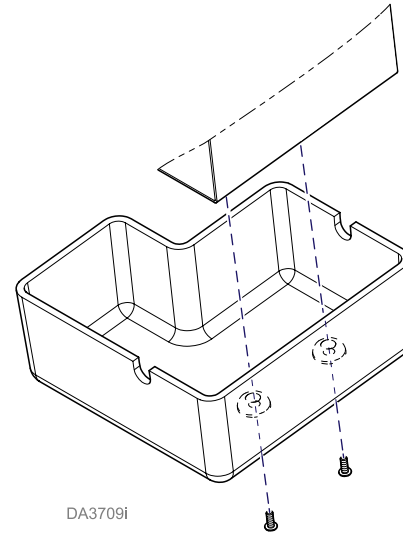
Step 12: Install unit to bracket.

- A) Connect harness to module back.
- B) Install cover over harness connection.
- C) Install module to bracket using two screws.



Step 13: Install PC board box cover.




- A) Install cover over the PC Board mounting bracket.
- B) Secure cover with two screws.



Step 14: Connect power and verify operation.

- A) Connect chair to power supply.
- B) Follow these numbered general instructions to reset module while viewing the screen (refer to the Bien Air manual as needed).
 1. Press the left, right and ESC buttons simultaneously during power up until screen menu appears.
 2. Select "Setup" then press the "OK" button.
 3. Press the down arrow button three times and the left arrow button two times to select "2 motors."
 4. After entering the proper inputs, confirm by selecting "Save".
- C) Test handpiece operation.

Color Abbreviation Chart

	Item	Color (English)	Farbe (Deutsch)	Couleur (Français - Europe)	Color (español europeo)	Colore (italiano)	Color (others)
	BK	Black	Schwarz	Noir	Negro	Nero	
	BL	Blue	Blau	Bleu	Azul	Blu	
	BR	Brown	Braun	Marron	Marrón	Marrone	
	CL	Clear	Durchsichtig	Incolore	Transparente	Trasparente	
	GN	Green	Grün	Vert	Verde	Verde	
	GY	Grey	Grau	Gris	Gris	Grigio	
	OR	Orange	Orange	Orange	Naranja	Arancione	
	PR	Purple	Purpur	Pourpre	Morado	Porpora	
	CL/PR	Clear Purple	Durchsichtig Purpur	Incolore Pourpre	Transparente Morado	Trasparente Porpora	
	RD	Red	Rot	Rouge	Rojo	Rosso	
	WH	White	Weiß	Blanc	Blanco	Bianco	
	YL	Yellow	Gelb	Jaune	Amarillo	Giallo	
	PK	Pink	Pink	Rose	Rosa	Rosa	
	TN	Tan	Hellbraun	Fauve	Marrón claro	Tanè (marrone scuro)	
	BK/WH	Black/White	Schwarz / Weiß	Noir / Blanc	Negro / Blanco	Bianco / Nero	
	BL/WH	Blue/White	Blau / Weiß	Bleu / Blanc	Azul / Blanco	Blu / Bianco	
	BR/WH	Brown/White	Braun / Weiß	Marron / Blanc	Marrón / Blanco	Marrone / Bianco	
	CL/BK	Clear / Black	Durchsichtig / Schwarz	Incolore / Noir	Transparente / Negro	Trasparente / Nero	
	GN/WH	Green / White	Grün / Weiß	Vert / Blanc	Verde / Blanco	Verde / Bianco	
	GN/YL	Green / Yellow	Grün / Gelb	Vert / Jaune	Verde / Amarillo	Verde / Giallo	
	OR/WH	Orange / White	Orange / Weiß	Orange / Blanc	Naranja / Blanco	Arancione / Bianco	
	PR/WH	Purple / White	Purpur / Weiß	Pourpre / Blanc	Morado / Blanco	Porpora / Bianco	
	RD/WH	Red / White	Rot / Weiß	Rouge / Blanc	Rojo / Blanco	Rosso / Bianco	
	VI/WH	Violet / White	Violett / Weiß	Violet / Blanc	Violeta / Blanco	Viola / Bianco	
	YL/WH	Yellow / White	Gelb / Weiß	Jaune / Blanc	Amarillo / Blanco	Giallo / Bianco	
	YL/GN	Yellow / Green	Gelb / Grün	Jaune / Vert	Amarillo / Verde	Giallo / Verde	
	YL/BK	Yellow / Black	Gelb / Schwarz	Jaune / Noir	Amarillo / Negro	Giallo / Nero	



Because we care.