



Arm Assembly Kit [002-1894-00 (Left) & 002-1894-01 (Right)]

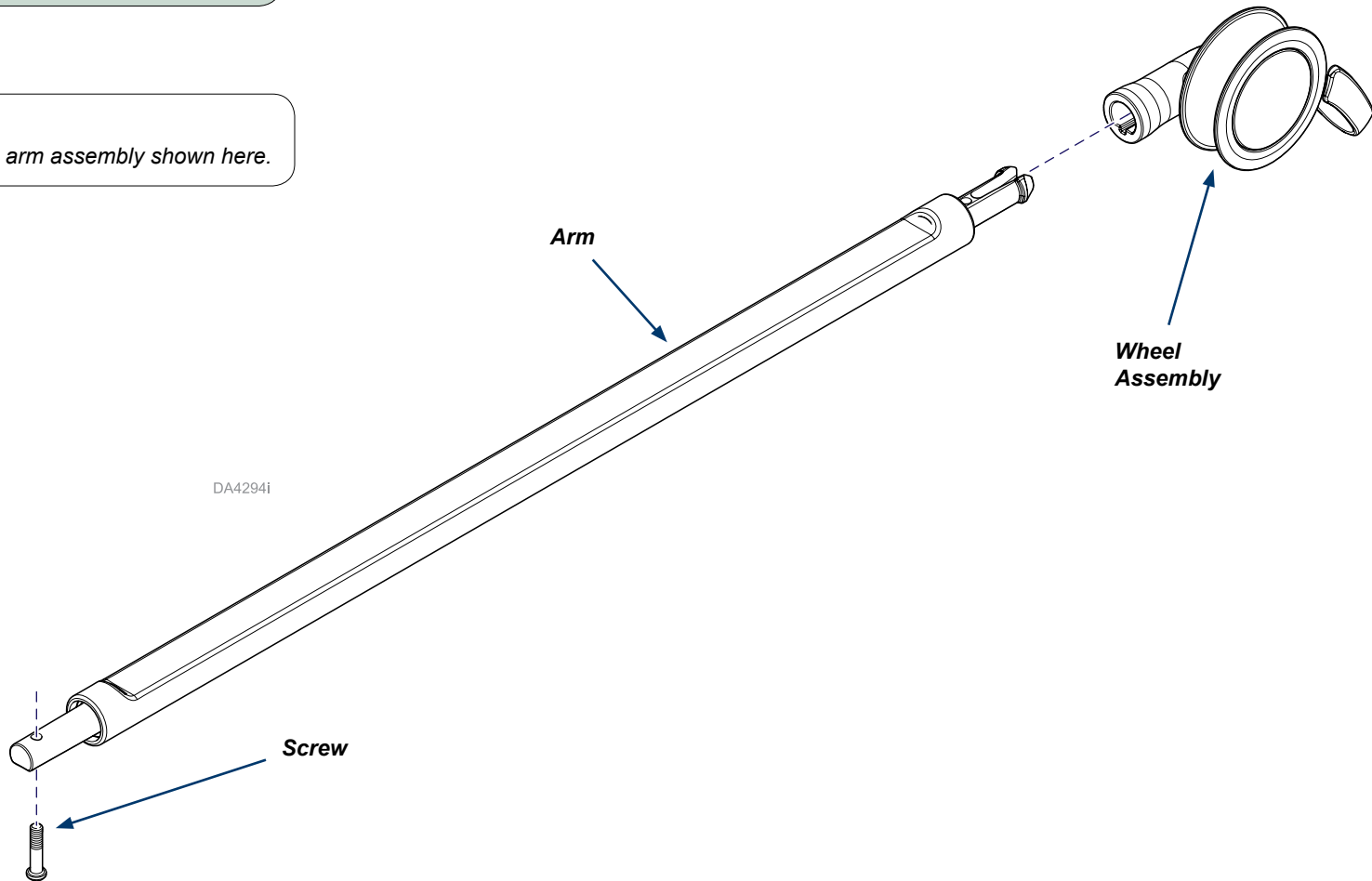
Components:

Arm	1
Wheel Assembly	1
Screw	1

Language of origin: English

Step 1: Inspect kit components.

Note
Right side arm assembly shown here.



TP200 Rev. A

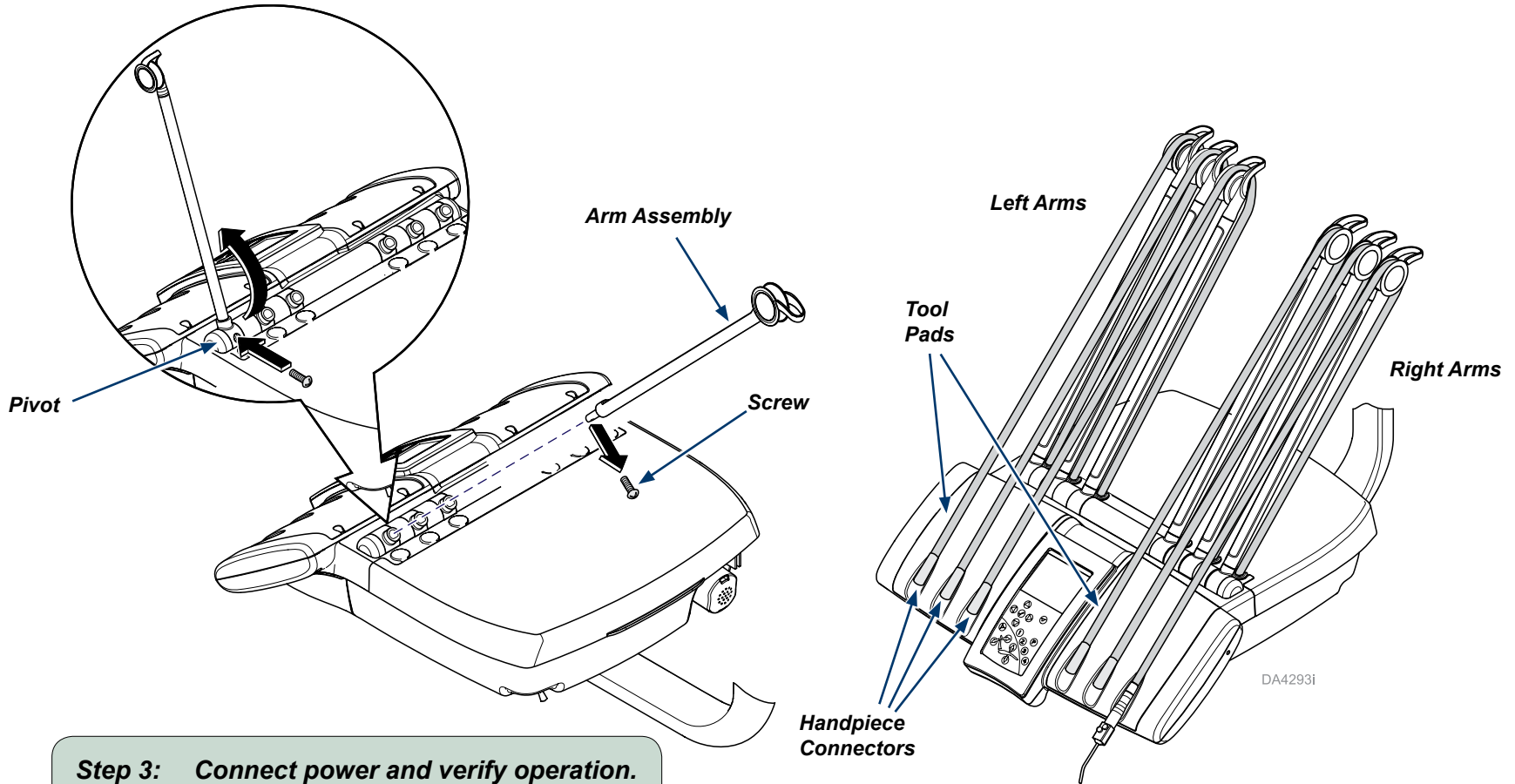


WARNING

Always disconnect chair from the power source before removing any covers. Failure to do so may result in personal injury.

Step 2: Install arm assemblies.

- A) Remove screw from arm assembly.
- B) Insert arm assembly into the pivot and rotate forward.
- C) Install the screw through pivot hole into arm assembly to secure.
- D) Install three left and three right arm assemblies.
- E) Route tubing through wheels and align handpiece connectors with tool pads as shown.



Step 3: Connect power and verify operation.

- A) Connect the power supply to facility power.
- B) Verify operation of the delivery.



Because we care.