



Cavitron G139 Scaler 360° Replacement Kit Installation Guide (for Procenter Delivery Units)

Applies to Models:
153959-005 ... Cavitron G139 Scaler 360°

Special Tools:
none

Note

Use this kit to REPLACE an existing Handpiece with the Cavitron G139 Scaler 360° on a Procenter Delivery Unit.

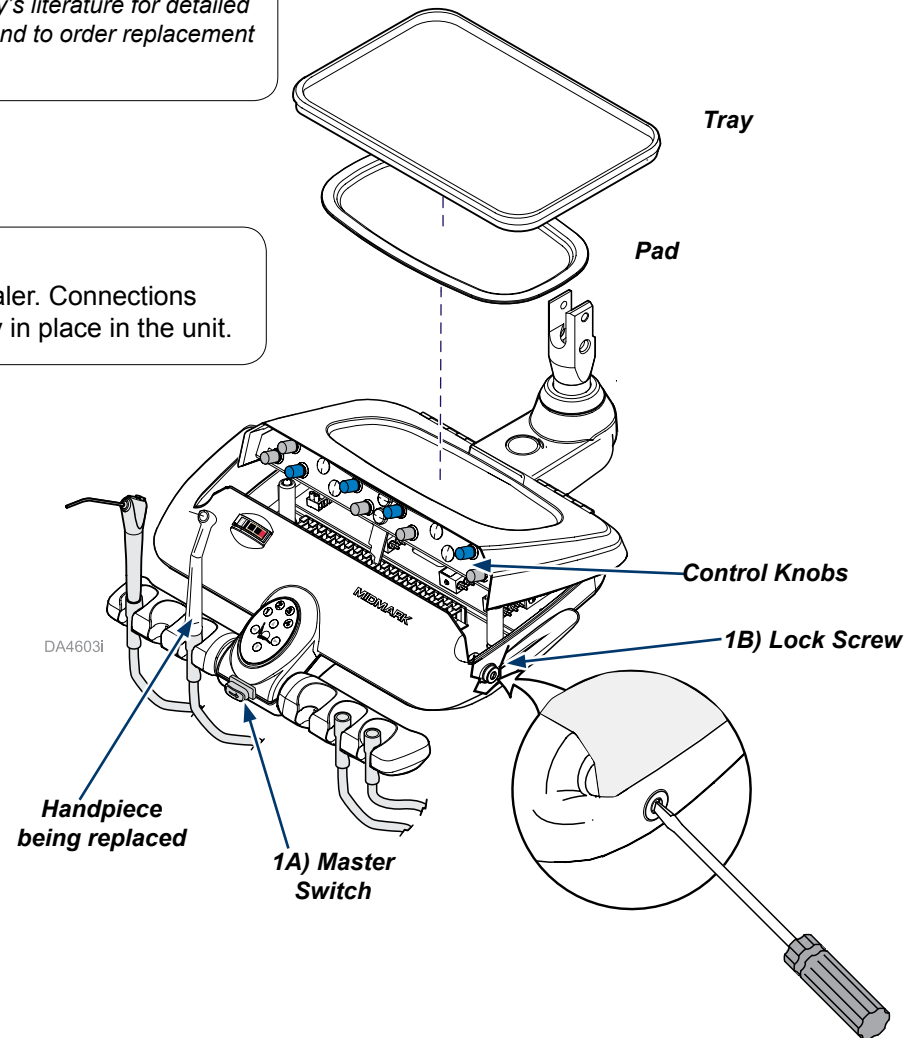


Equipment Alert

The Cavitron scaler accessory is manufactured by Dentsply. Refer to Dentsply's literature for detailed information on Operation, Maintenance, Service, Troubleshooting, Warranty and to order replacement parts. For additional information go to: www.dentsply.com.

Note

Determine which handpiece will be replaced by the Cavitron Scaler. Connections will be made to the existing control knobs and kink valve already in place in the unit.



WARNING

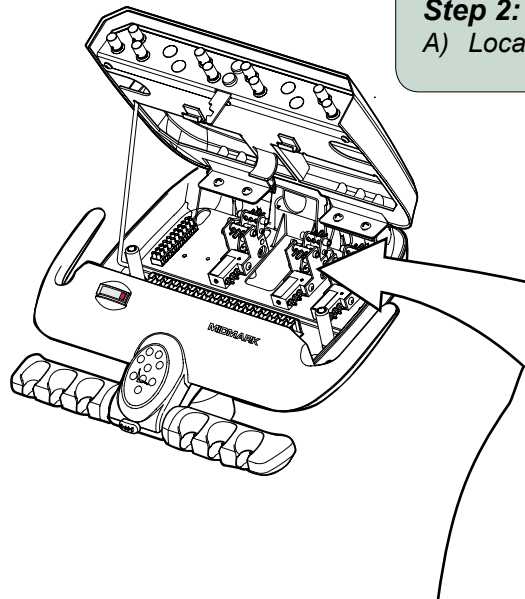
Always disconnect power from electrical mains before removing any covers. Failure to do so may result in personal injury.

Step 1: Remove tray and pad to access the control knobs.

- A) Turn the Master Switch OFF and remove handpieces from the holders. (Let handpieces hang freely below the unit).
- B) Use a screwdriver to rotate the lock screw to access the pop-up control knob panel in the lid assembly.

Step 2: Raise the lid on the unit fully to access the Kink Valves and tubing.

A) Locate the kink valve for the handpiece you are replacing.



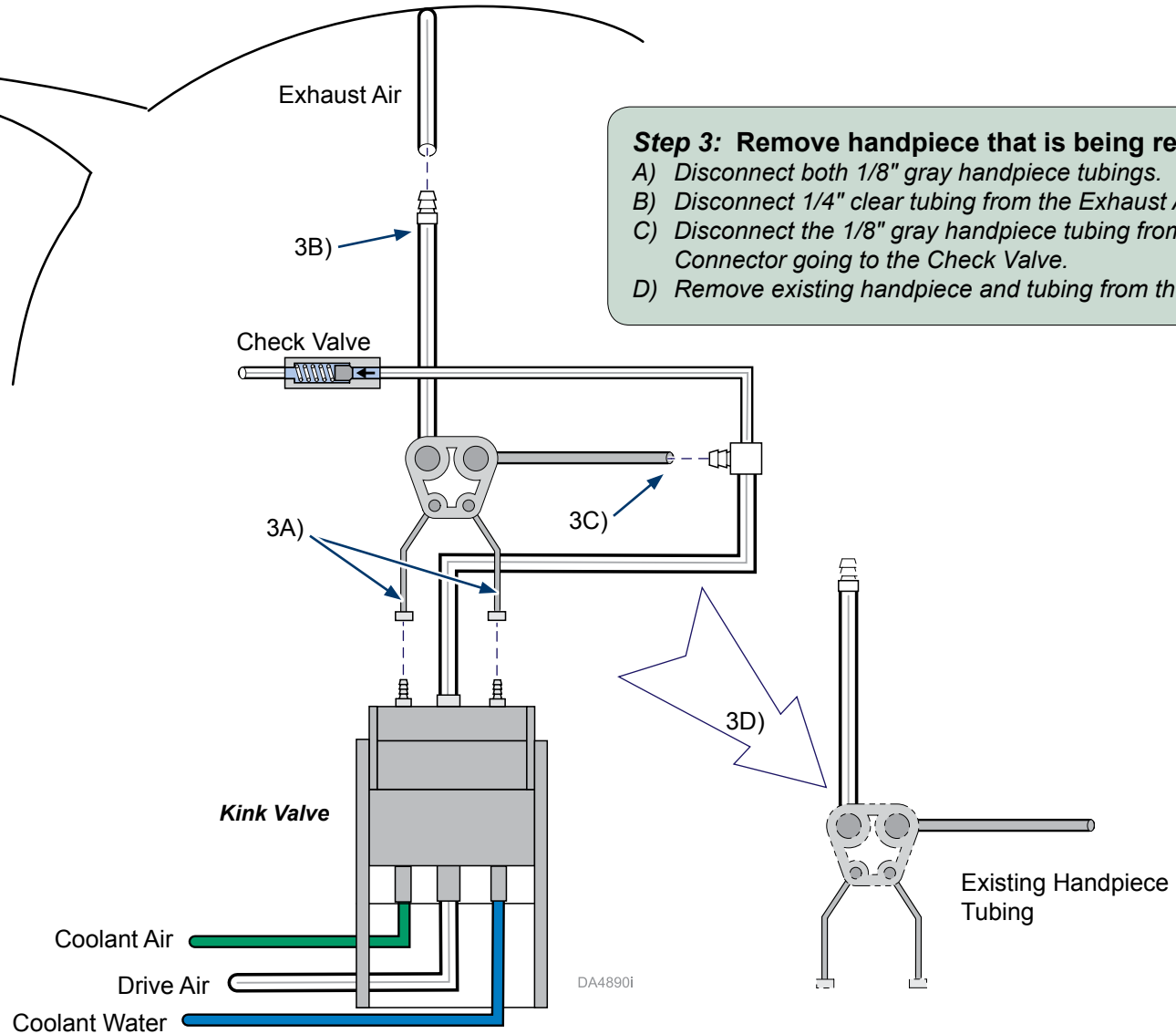
Step 3: Remove handpiece that is being replaced.

A) Disconnect both 1/8" gray handpiece tubings.

B) Disconnect 1/4" clear tubing from the Exhaust Air.

C) Disconnect the 1/8" gray handpiece tubing from the Connector going to the Check Valve.

D) Remove existing handpiece and tubing from the unit.





Equipment Alert

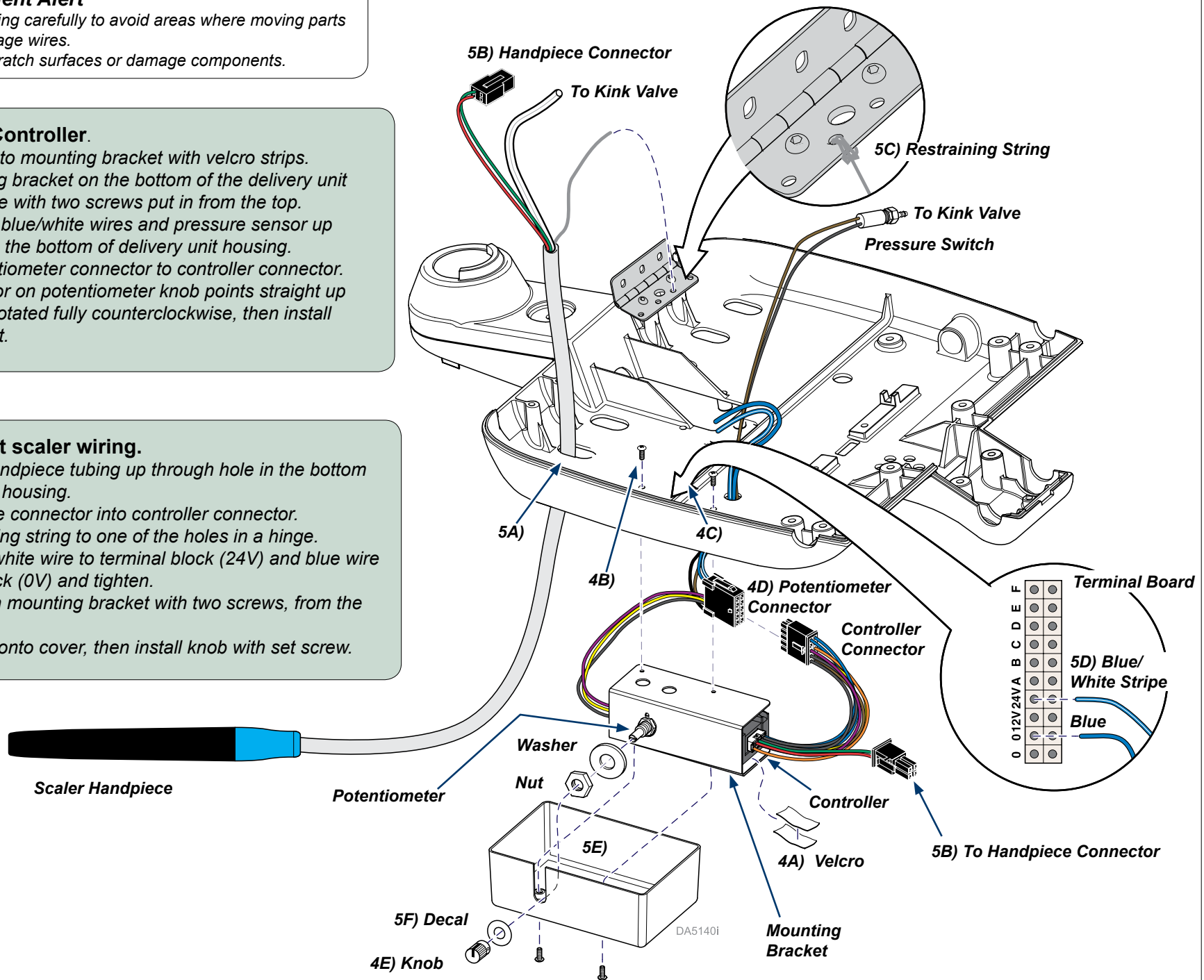
Route wiring carefully to avoid areas where moving parts may damage wires.
Do not scratch surfaces or damage components.

Step 4: Install Controller.

- A) Affix controller to mounting bracket with velcro strips.
- B) Install mounting bracket on the bottom of the delivery unit housing, secure with two screws put in from the top.
- C) Feed blue and blue/white wires and pressure sensor up through hole in the bottom of delivery unit housing.
- D) Connect potentiometer connector to controller connector.
- E) Assure indicator on potentiometer knob points straight up when knob is rotated fully counterclockwise, then install washer and nut.

Step 5: Connect scaler wiring.

- A) Feed scaler handpiece tubing up through hole in the bottom of delivery unit housing.
- B) Plug handpiece connector into controller connector.
- C) Tie off restraining string to one of the holes in a hinge.
- D) Connect blue/white wire to terminal block (24V) and blue wire to terminal block (0V) and tighten.
- E) Install cover on mounting bracket with two screws, from the bottom.
- F) Position decal onto cover, then install knob with set screw.





Equipment Alert

Trim tubing to length required to make the connections. Excess tubing can kink or be pinched resulting in poor or no operation.

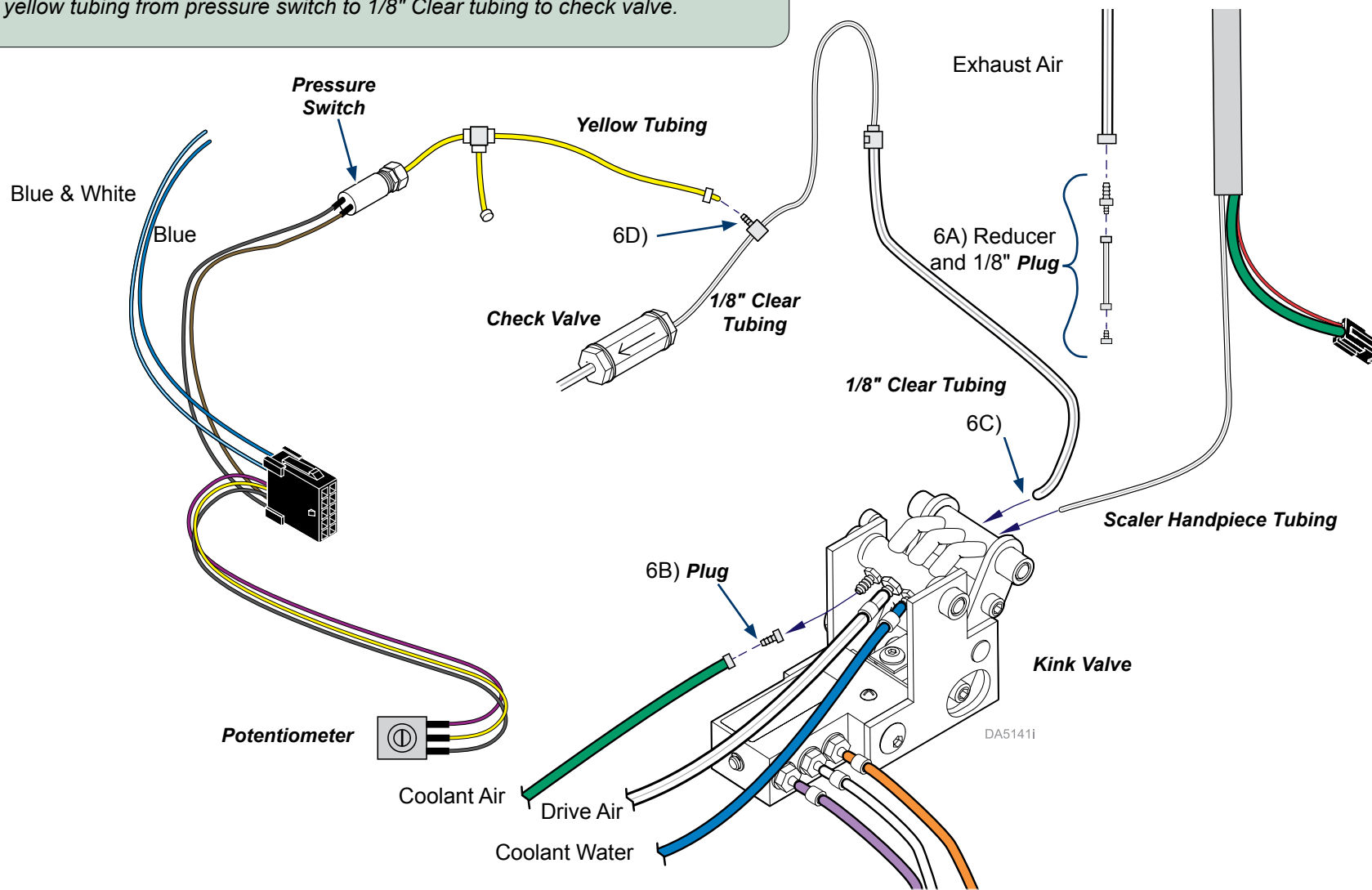


Equipment Alert

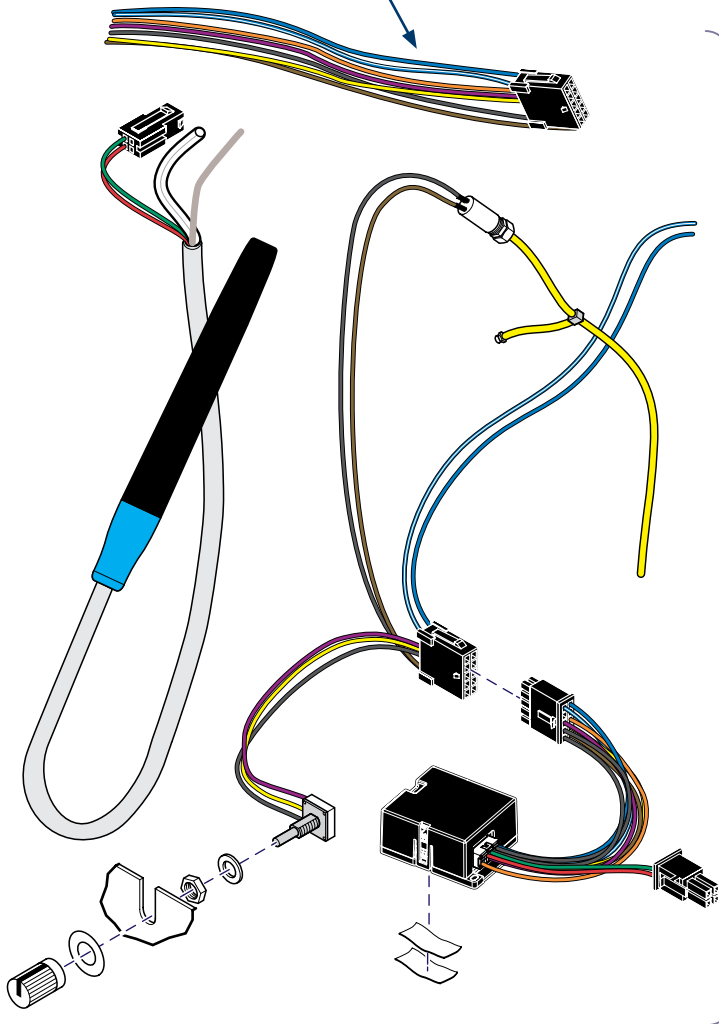
Always use uni-clamps when connecting 1/8" tubing to metal barb fittings. Uni-Clamps are not necessary on plastic barb fittings.

Step 6: Connect scaler tubing to kink valve:

- A) Use a 1/4 to 1/8" Reducer, a short length of hose and a 1/8" plug to plug the exhaust air.
- B) Disconnect Coolant Air (green) tubing from the kink valve and plug it. Use a uni-clamp and 1/8" plug.
- C) Connect 1/8" clear tubing from scaler handpiece to kink valve, opposite the Coolant Water (blue) tubing. Use a uni-clamp to secure.
- D) Connect yellow tubing from pressure switch to 1/8" Clear tubing to check valve.

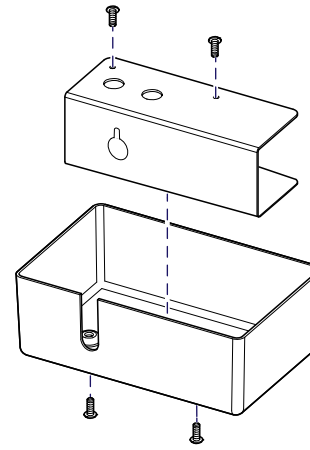


Extra Harness
(not used in this
installation)



1 153959-005

DA4601i



2 029-7085-00

Cavitron Scaler 360° Kit		
Item	Description	Qty.
1	Cavitron G139 Scaler 360° Kit (Includes Item 2)	1
2	• Scaler Mounting Bracket Kit	AR
AR = As Required		