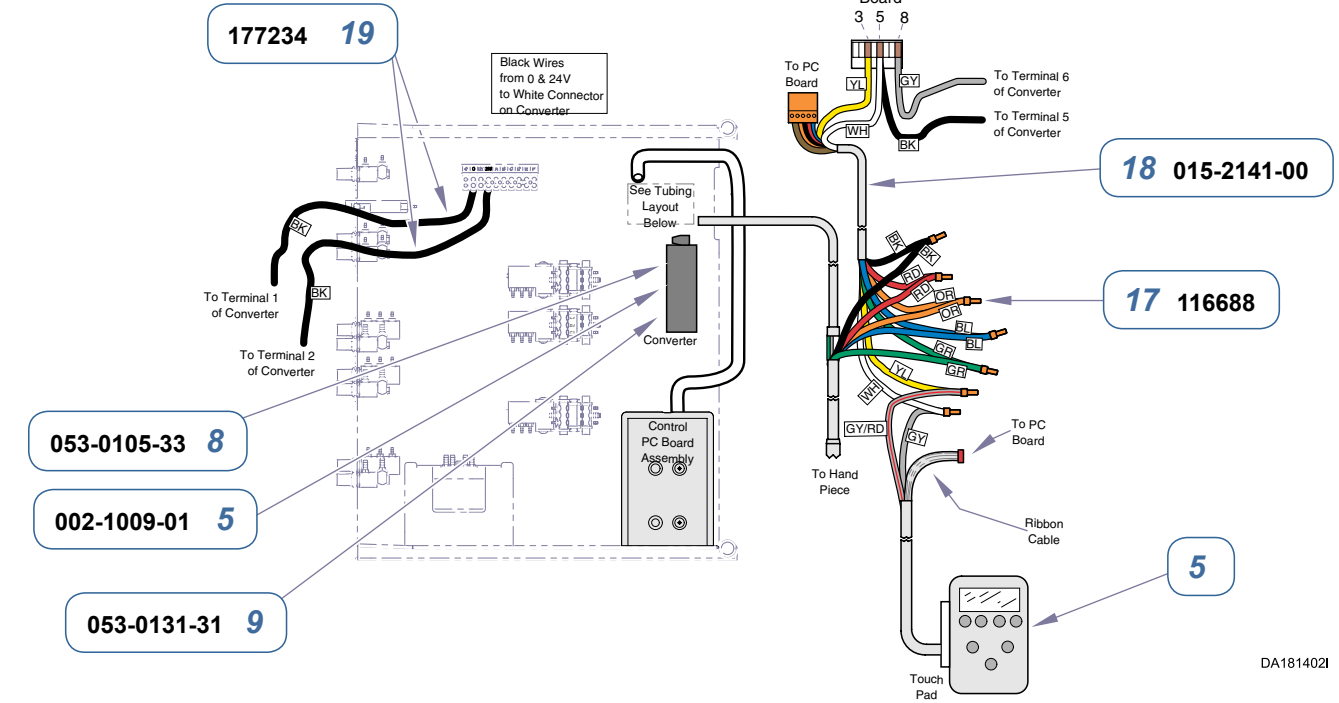
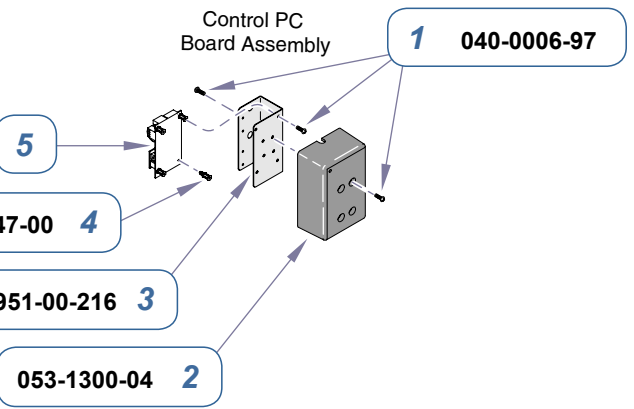
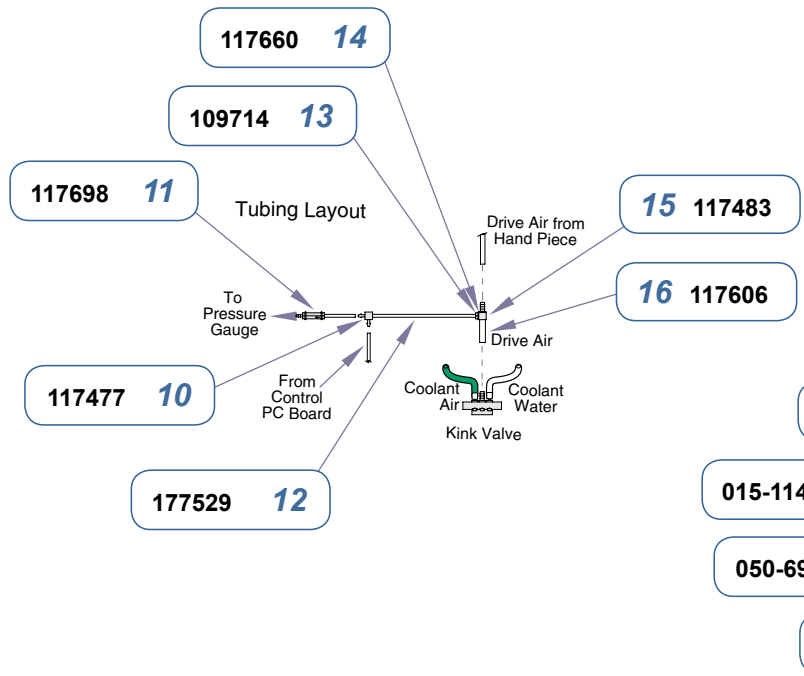
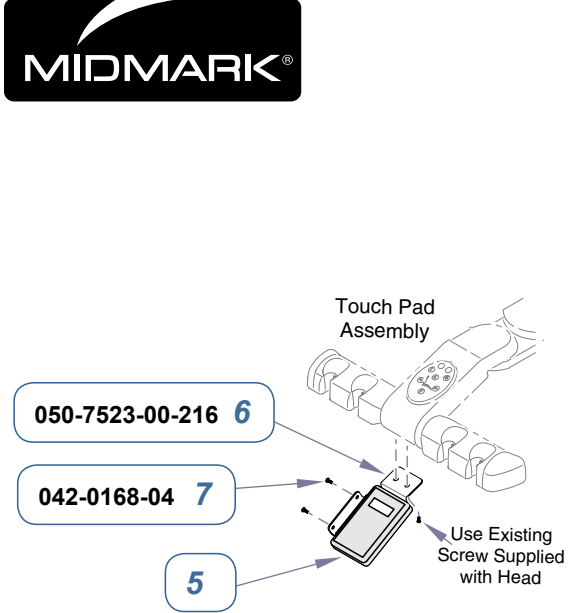


**153767-002 Digital Electric Handpiece System [12:00] (includes items 1 thru 20)**

Item	Description	Qty.
1	• Screw (#6-32 x 3/8")	8
2	• Digital Handpiece Cover	1
3	• Electric Handpiece Bracket	1
4	• Standoff	3
5	• Bien Air Digital Electric Handpiece Kit	1
6	• Electric Handpiece Mounting Bracket	1
7	• Screw (3.5 mm x 10mm)	2
8	• Velcro (loop)	1
9	• Velcro (hook)	1
10	• Fitting, Barbed Union (1/8")	1
11	• Check Valve	1
12	• Tubing, Clear (1/8" OD)	AR
13	• Fitting, Barbed (1/8")	1
14	• Gasket	1
15	• Fitting, Barbed Nipple (1/4")	1
16	• Tubing, Clear (3/16")	AR
17	• Extension, Ribbon Cable	1
18	• Connector, Wire	6
19	• Extension, Harness	1
20	• Wire, Black (22 AWG 300V)	4 ft.

DA1814001

**Serial Numbers / Dates:** V352593 thru V419602



**153767-002 Digital Electric Handpiece System [12:00] (includes items 1 thru 19)**

Item	Description	Qty.
1	• Screw (#6-32 x 3/8")	8
2	• Digital Handpiece Cover	1
3	• Electric Handpiece Bracket	1
4	• Standoff	3
5	• Bien Air Digital Electric Handpiece Kit	1
6	• Electric Handpiece Mounting Bracket	1
7	• Screw (3.5 mm x 10mm)	2
8	• Velcro (loop)	1
9	• Velcro (hook)	1
10	• Fitting, Barbed Union (1/8")	1
11	• Check Valve	1
12	• Tubing, Clear (1/8" OD)	AR
13	• Fitting, Barbed (1/8")	1
14	• Gasket	1
15	• Fitting, Barbed Nipple (1/4")	1
16	• Tubing, Clear (3/16")	AR
17	• Connector, Wire	6
18	• Extension, Harness	1
19	• Wire, Black (22 AWG 300V)	4 ft.

**Serial Numbers / Dates:** V419603 thru Present