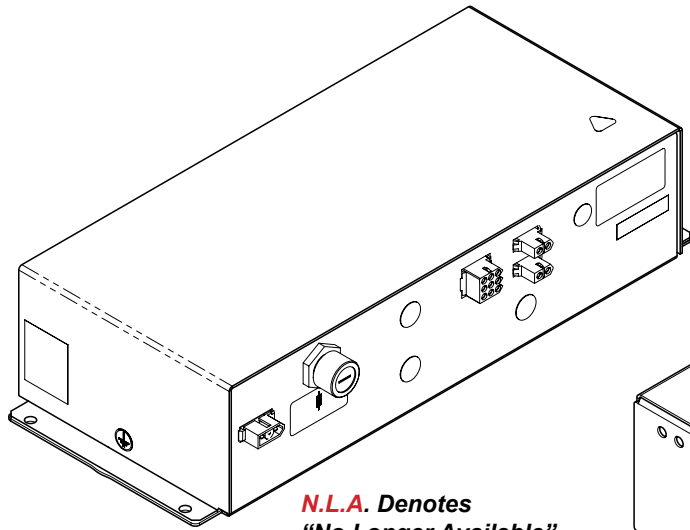
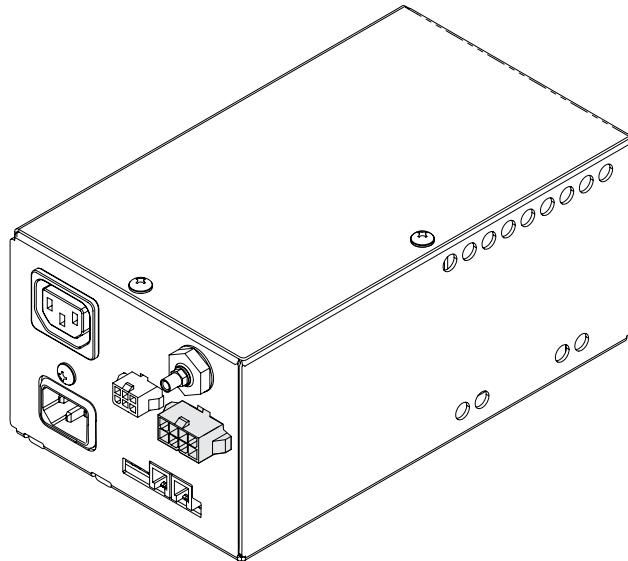
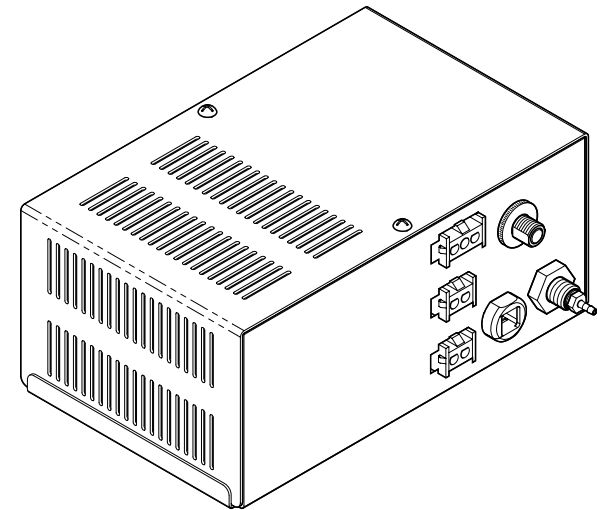
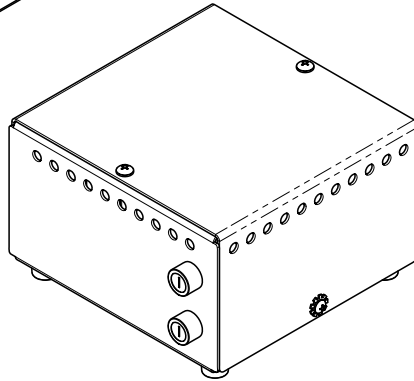


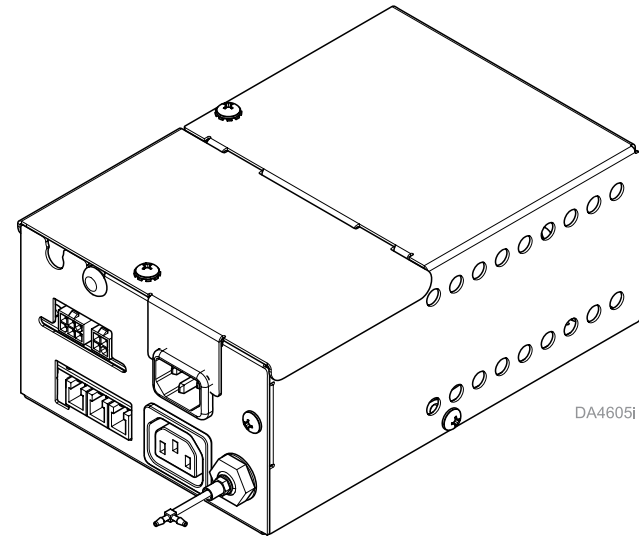
# Identification Chart: Power Supply Units



**N.L.A.** Denotes  
"No Longer Available"



**N.L.A.**



DA4605i

[Model: 153941-001/-003 \(115 VAC\)](#)  
[Model: 153941-002/-004 \(230 VAC\)](#)