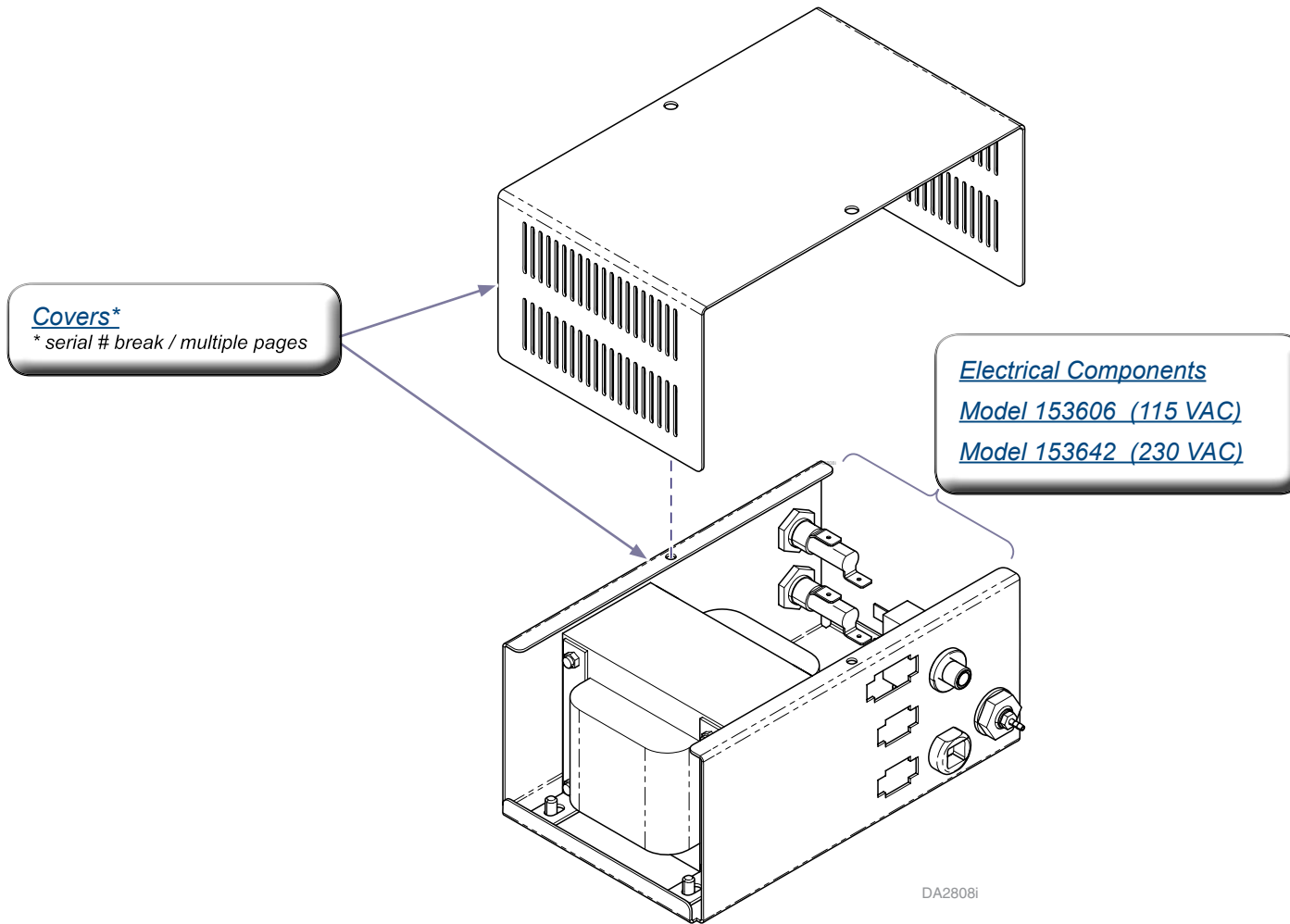
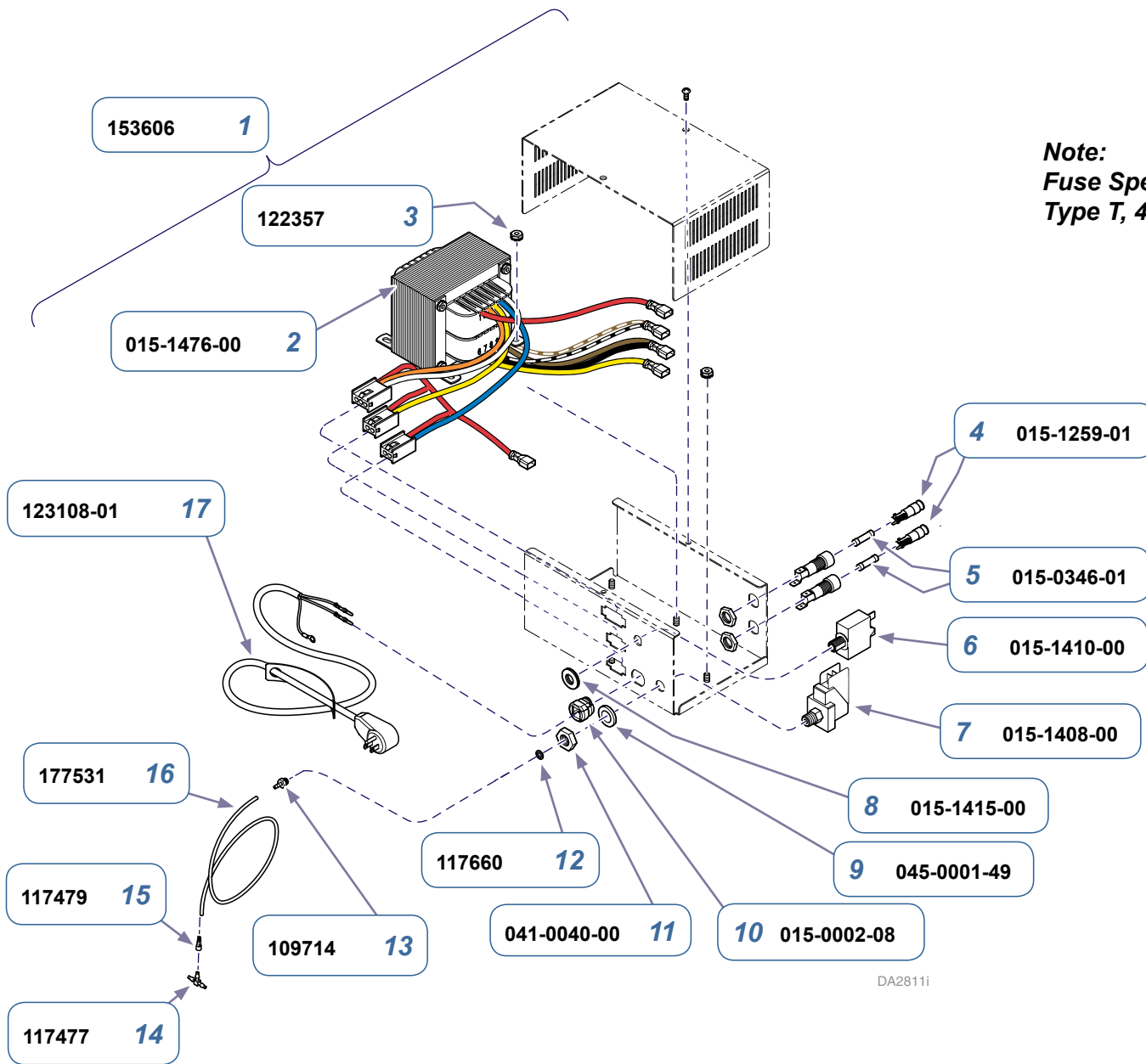


Pictorial Index: Universal Power Supply Models 153606 and 153642

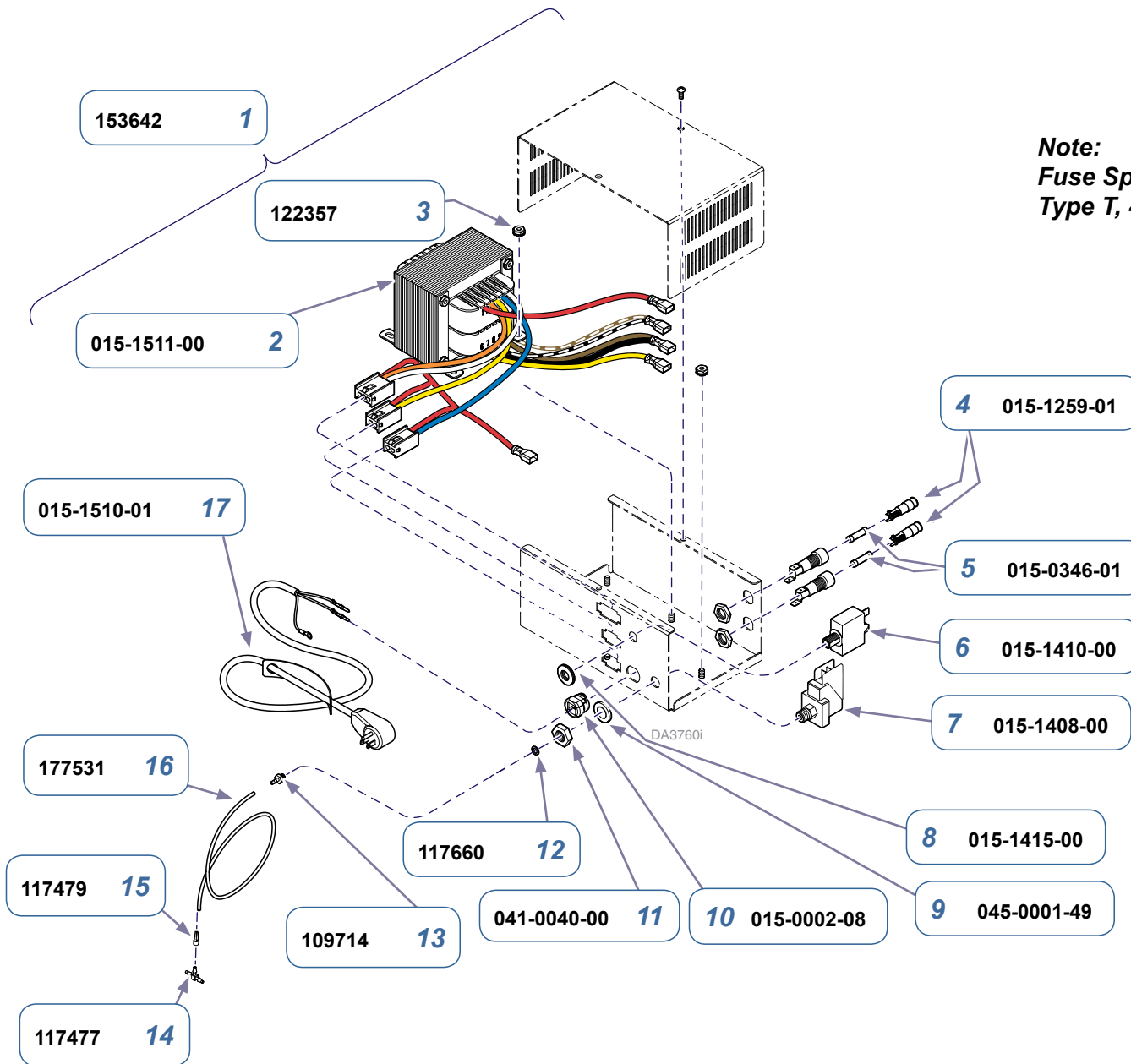




Note:
Fuse Specifications: 115 / 230 VAC Models,
Type T, 4 amp, 250 VAC, 5 x 20 mm, Time Lag

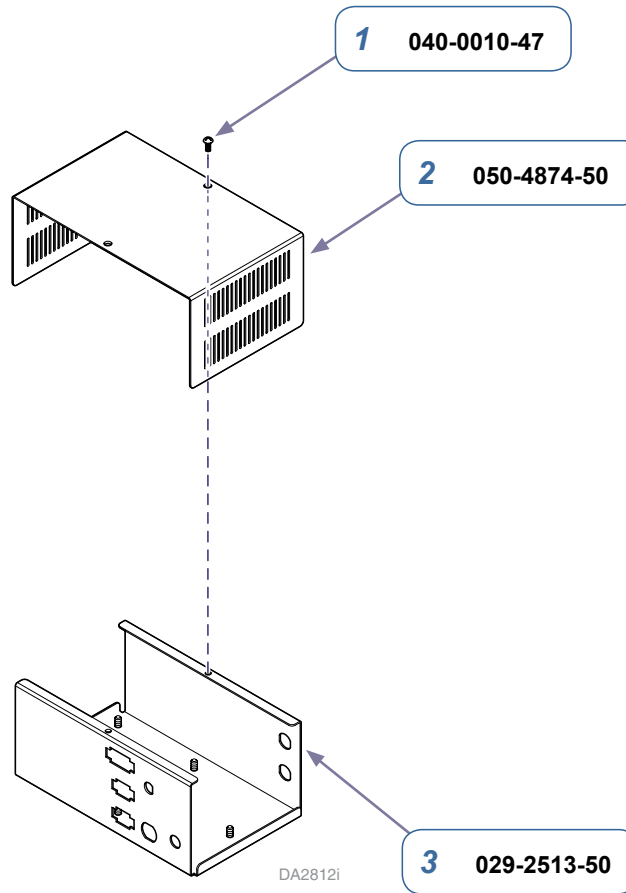
115 VAC Electrical Components		
Item	Description	Qty.
1	Power Supply Assembly (includes items 2 - 17) 115 VAC	1
2	• Transformer Assembly:	1
3	• Nut (#10-32)	1
4	• Fuse Holder	1
5	• Fuse (4A Type T), (See Specs in Note)	2
6	• Circuit Breaker	1
7	• Pressure Switch	1
8	• Press to Reset Nut	1
9	• Washer (3/8")	1
10	• Bushing	1
11	• Locknut	1
12	• Gasket	1
13	• Barb Fitting	1
14	• Barb Tee Fitting	1
15	• Uni-Clamp	1
16	• Red Tubing (ft)	AR
17	• Power Cord Assembly	1

DA2811i



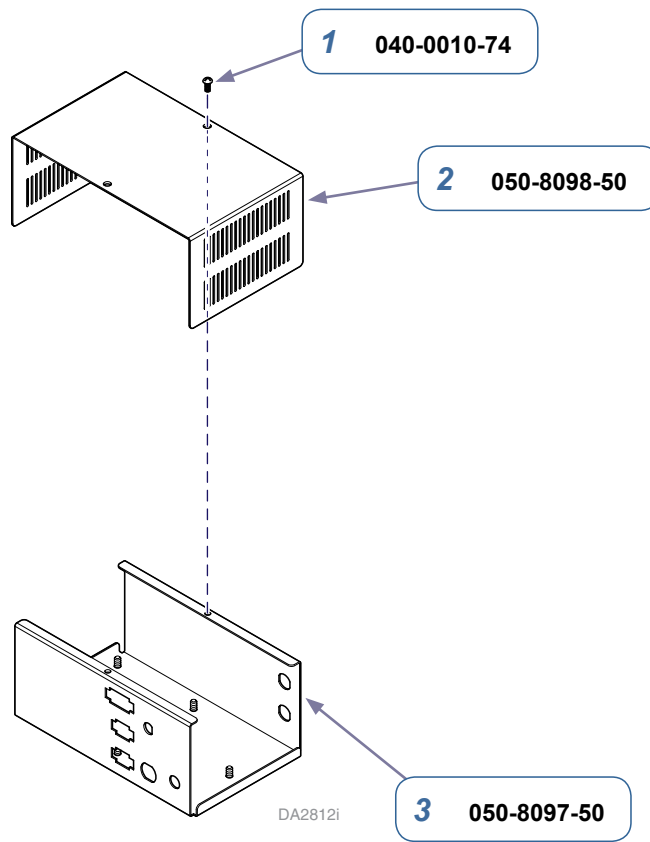
Note:
Fuse Specifications: 115 / 230 VAC Models,
Type T, 4 amp, 250 VAC, 5 x 20 mm, Time Lag

230 VAC Electrical Components		
Item	Description	Qty.
1	Power Supply Assembly (includes items 2 - 17) 230 VAC	1
2	• Transformer Assembly:	1
3	• Nut (#10-32)	1
4	• Fuse Holder	1
5	• Fuse (4A Type T), (See Specs in Note)	2
6	• Circuit Breaker	1
7	• Pressure Switch	1
8	• Press to Reset Nut	1
9	• Washer (3/8")	1
10	• Bushing	1
11	• Locknut	1
12	• Gasket	1
13	• Barb Fitting	1
14	• Barb Tee Fitting	1
15	• Uni-Clamp	1
16	• Red Tubing (ft)	AR
17	• Power Cord Assembly	1



Page Applies To Model Numbers:	Purchase Date:
153606 and 153642	Prior to 7/1/2010

Covers		
Item	Description	Qty.
1	• Screw (#10-24 x 3/8")	2
2	• Cover	1
3	• Power Supply Chassis	1



Page Applies To Model Numbers:	Purchase Date:
153606 and 153642	7/1/2010 to Present

Covers		
Item	Description	Qty.
1	• Screw (#10-32 x 3/8")	2
2	• Cover	1
3	• Power Supply Chassis	1