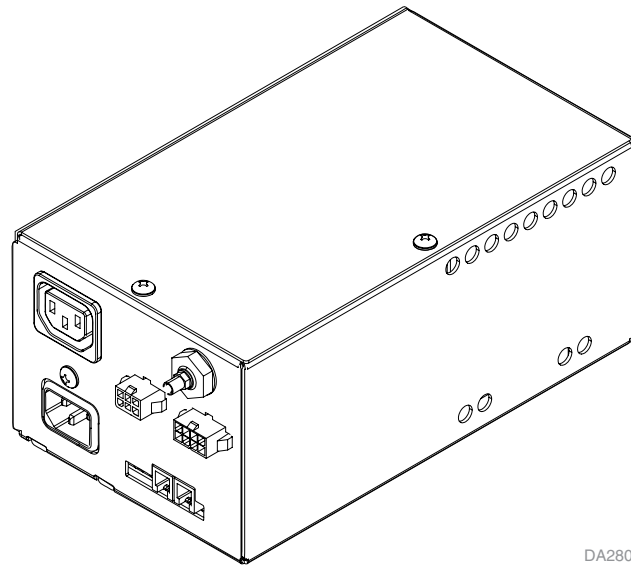


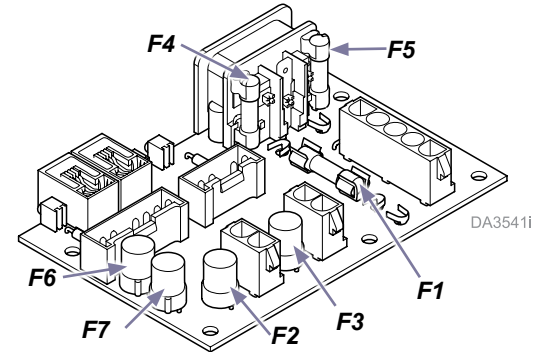
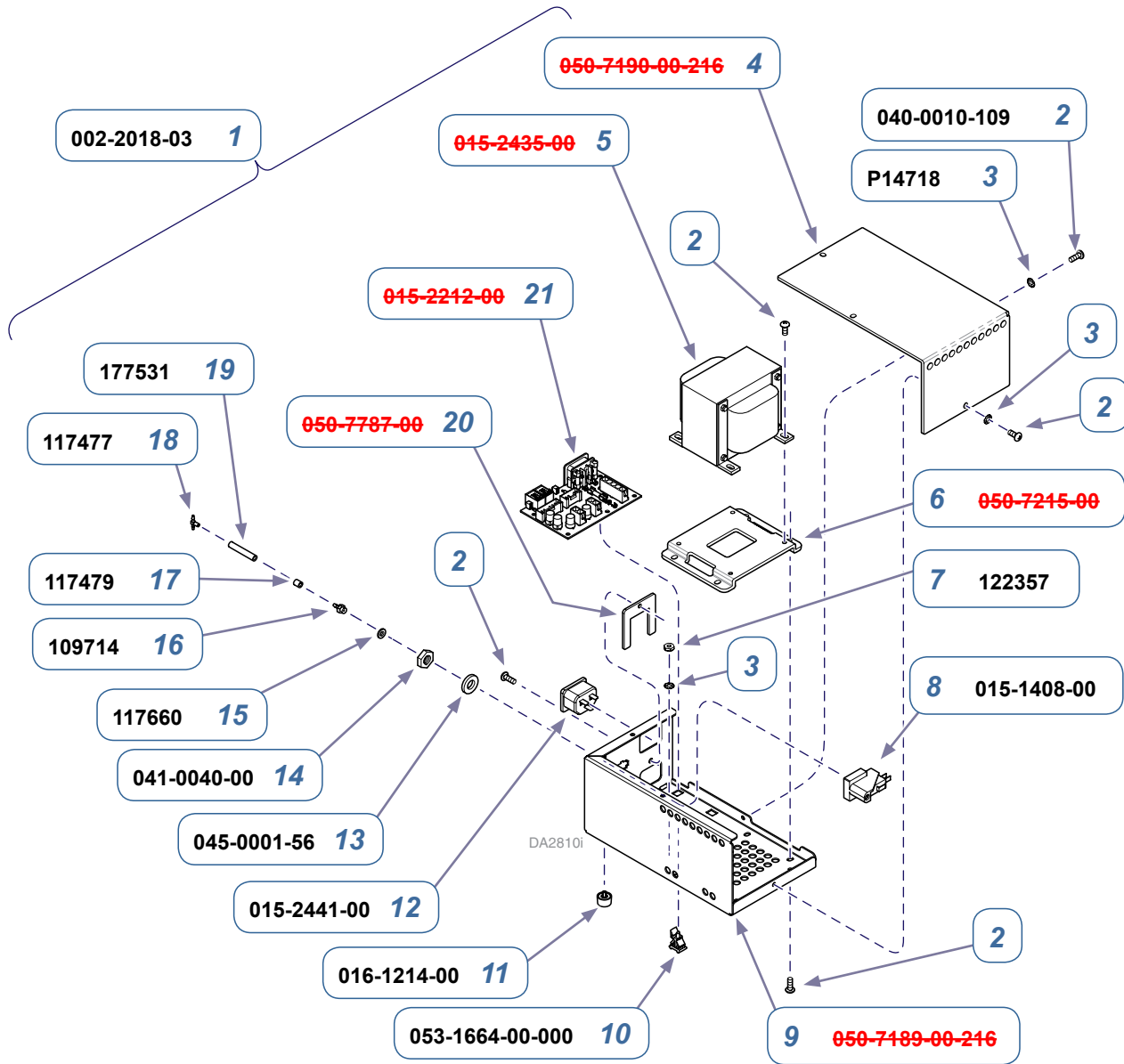
Pictorial Index: Power Supply Model 153808



Note
Model 153941 kit numbers replace Model 153808 assemblies, which are Not Sold Separately (NSS).

Power Supply
115 VAC
230 VAC

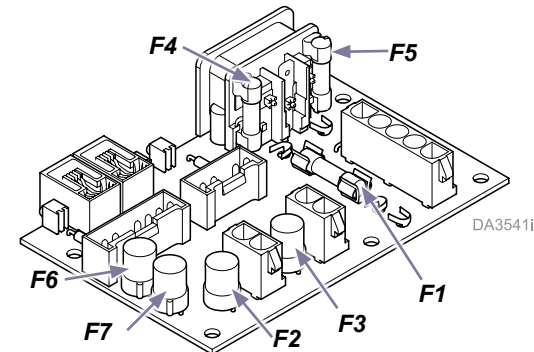
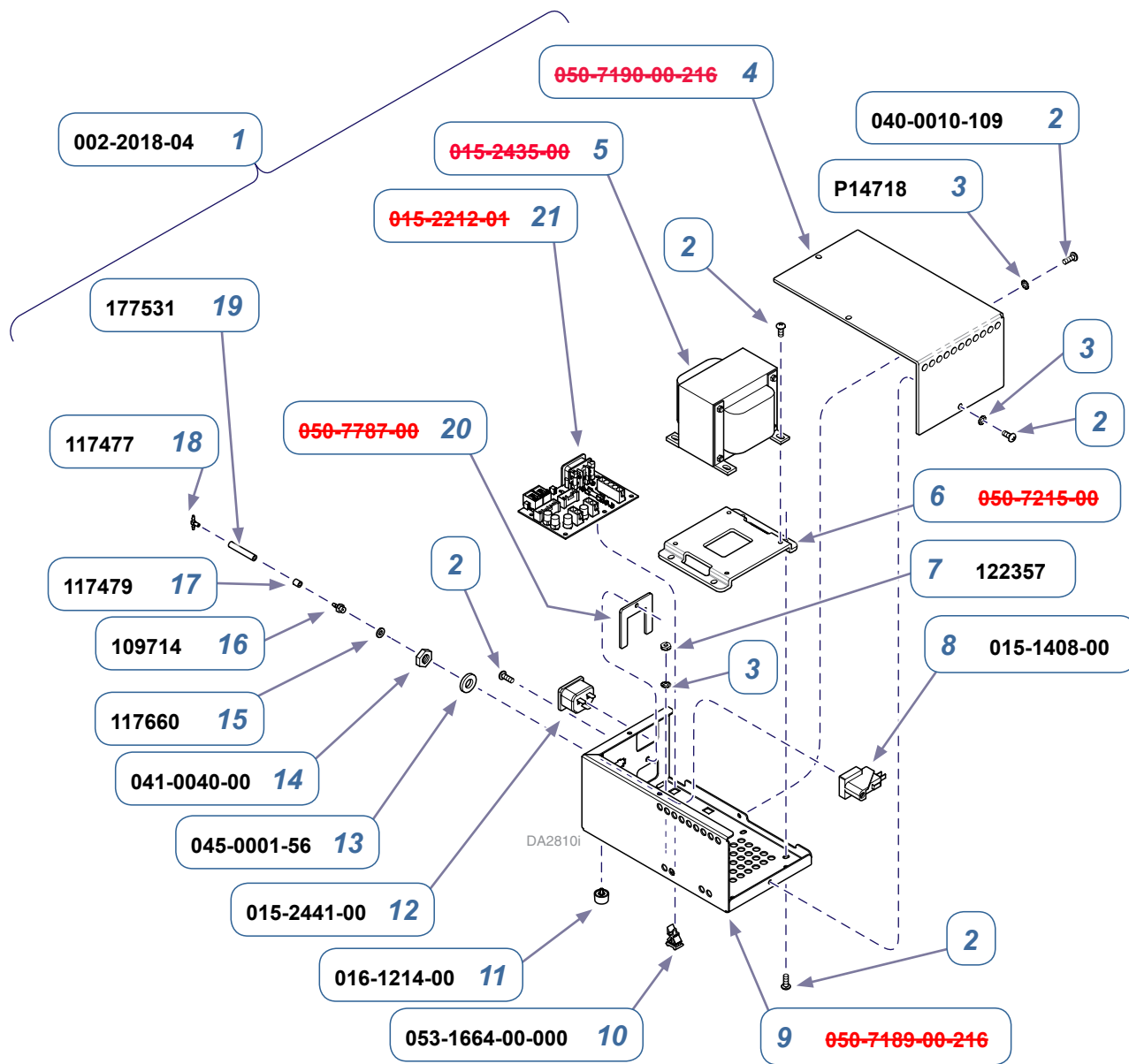
Page Applies To:	Model Numbers:
Power Supply	153808-001 (115 VAC)
	153808-002 (230 VAC)



Fuse	Specifications	Part Number
F1	T3.15AH, 250V~	015-0346-43
F2 & F3 F6 & F7 (Spares)	T6.3AL, 250V~	015-0346-41
F4 & F5	T10AH, 250V~	015-0346-42

Power Supply (115 VAC)		
Item	Description	Qty.
1	Power Supply Assembly	1
2	• Screw (#10-24 x 3/8")	13
3	• Lock Washer	5
4	• Cover	NSS
5	• Transformer	NSS
6	• Transformer Bracket	NSS
7	• Lock Nut (#10-32)	3
8	• Pressure Switch	1
9	• Power Supply Chassis	NSS
10	• Standoff	5
11	• Vinyl Foot	4
12	• Outlet	1
13	• Lock Washer	1
14	• Lock Nut	1
15	• Gasket	1
16	• Barb Fitting (#10-32 X 1/16")	1
17	• Uni-clamp Tee fitting (1/16" barb)	1
18	• Tee Fitting (1/16" barb)	1
19	• Tubing (1/8" red)	1
20	• Plug Keeper	NSS
21	• PC Board (115 VAC)	NSS
22	• 015-2360-00 Power Cord (not shown - 115 VAC)	1

NSS = Not Sold Separately



Fuse	Specifications	Part Number
F1	T1.6AL, 250V~	015-0346-49
F2 & F3 F6 & F7 (Spares)	T6.3AL, 250V~	015-0346-41
F4 & F5	T6.3AH, 250V~	015-0346-40

Power Supply (230 VAC)		
Item	Description	Qty.
1	Power Supply Assembly	1
2	• Screw (#10-24 x 3/8")	13
3	• Lock Washer	5
4	• Cover	NSS
5	• Transformer	NSS
6	• Transformer Bracket	NSS
7	• Lock Nut (#10-32)	3
8	• Pressure Switch	1
9	• Power Supply Chassis	NSS
10	• Standoff	5
11	• Vinyl Foot	4
12	• Outlet	1
13	• Lock Washer	1
14	• Lock Nut	1
15	• Gasket	1
16	• Barb Fitting (#10-32 X 1/16")	1
17	• Uni-clamp Tee Fitting (1/16" barb)	1
18	• Tee Fitting (1/16" barb)	1
19	• Tubing (1/8" red)	1
20	• Plug Keeper	NSS
21	• PC Board	NSS
22	• 015-2360-01 Power Cord (not shown - 230VAC)	1

NSS = Not Sold Separately