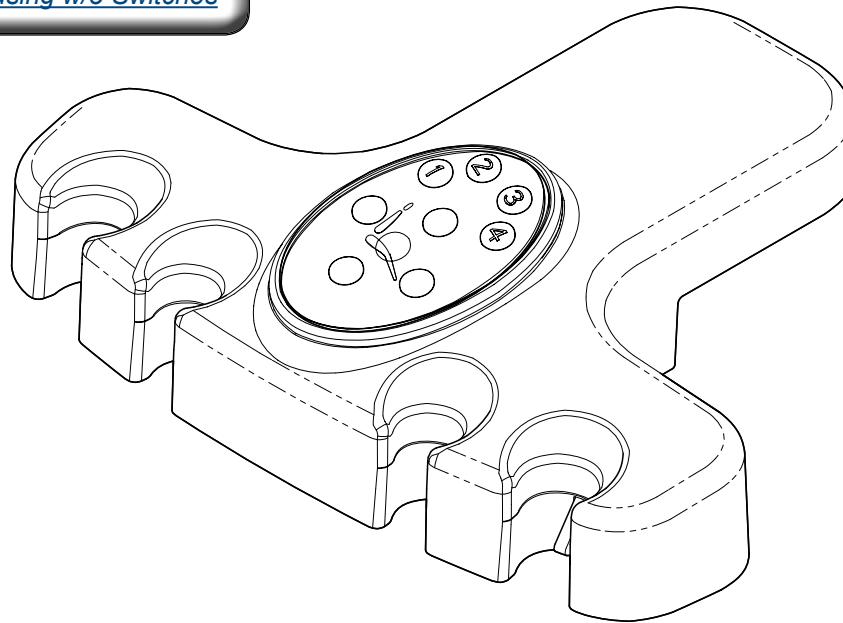


# Procenter Assistant's Unit (Compact)

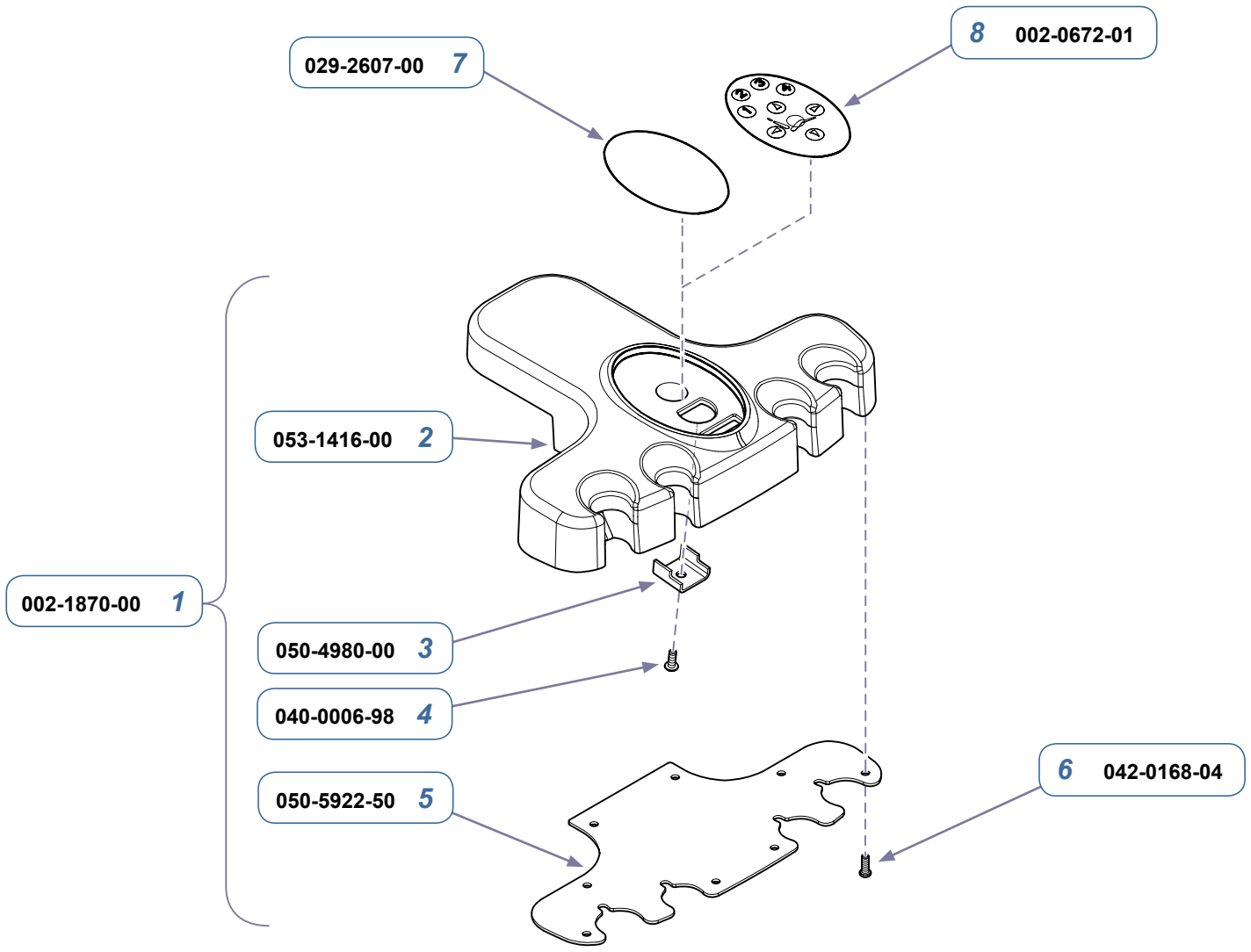
Common Components..... 004-0859-99  
Includes: Connectors, tubing, syringes, .....  
umbilicals, HVE / saliva ejectors

Compact Housing w/ Switches

Compact Housing w/o Switches

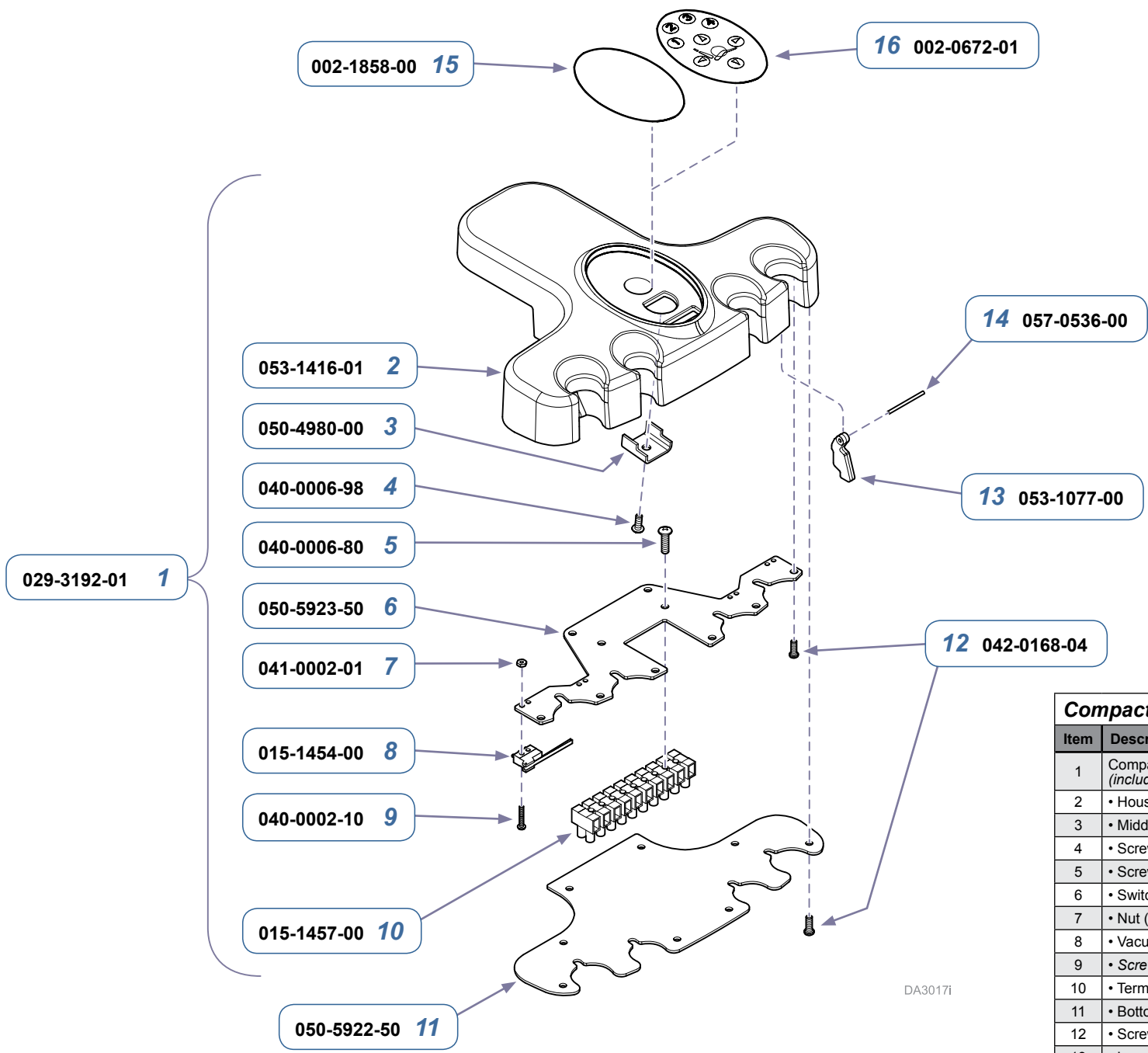


DA3012i



DA3016i

<b>Compact Housing w/o Switches</b>		
<b>Item</b>	<b>Description</b>	<b>Qty.</b>
1	Compact Housing Assembly w/o Switches <i>(includes items 2 thru 6)</i>	1
2	• Housing	1
3	• Middle Bracket	1
4	• Screw	1
5	• Bottom Cover	1
6	• Screw	8
7	Cover <i>(includes bezel)</i>	AR
8	Touch Pad Kit <i>(includes bezel)</i>	AR



<b>Compact Housing w/ Switches</b>		
Item	Description	Qty.
1	Compact Housing Assembly w/ Switches <i>(includes items 2 thru 14)</i>	1
2	• Housing	1
3	• Middle Bracket	1
4	• Screw	1
5	• Screw	2
6	• Switch Bracket	1
7	• Nut (early units only)	6
8	• Vacuum Switch	3
9	• Screw (#2-56 x 3/8")	6
10	• Terminal Strip	1
11	• Bottom Cover	1
12	• Screw	16
13	• Lever	3
14	• Pivot Pin	3
15	Cover <i>(includes bezel)</i>	AR
16	Touch Pad Kit <i>(includes bezel)</i>	AR

DA3017i