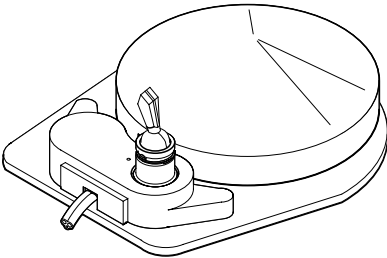
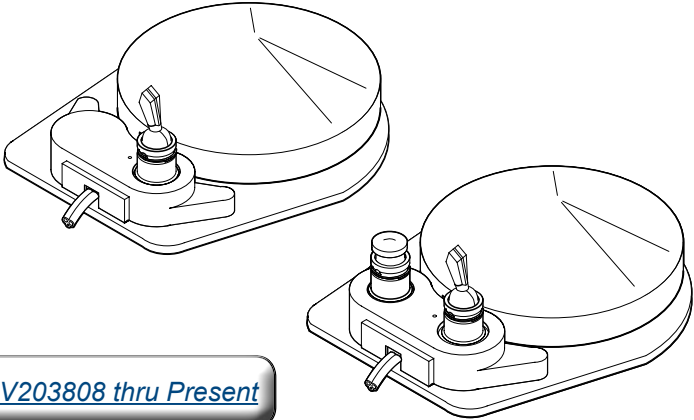


# Delivery System Foot Control

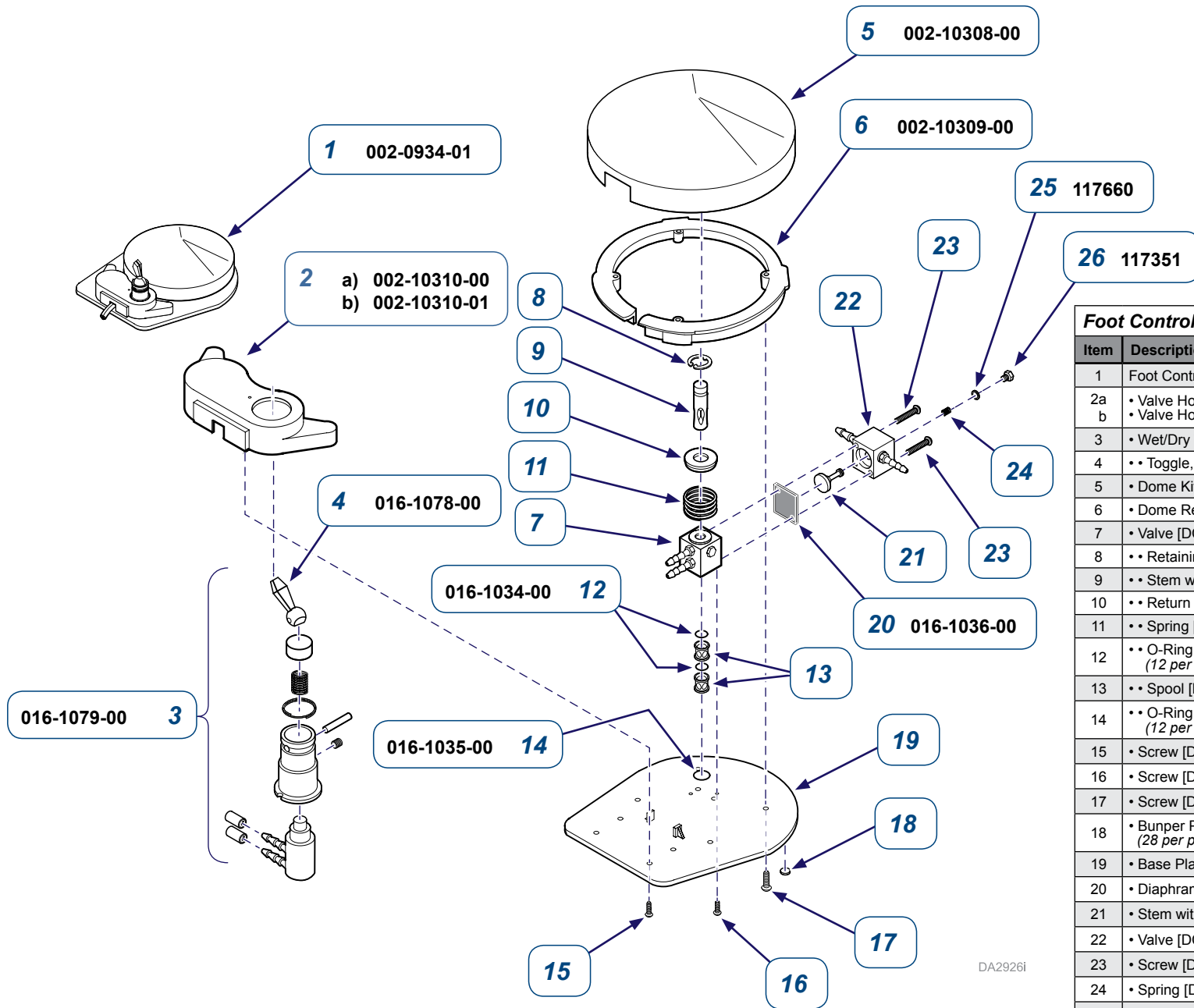


*Foot Control: Prior to Serial Number: V203808*



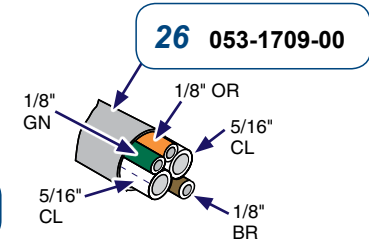
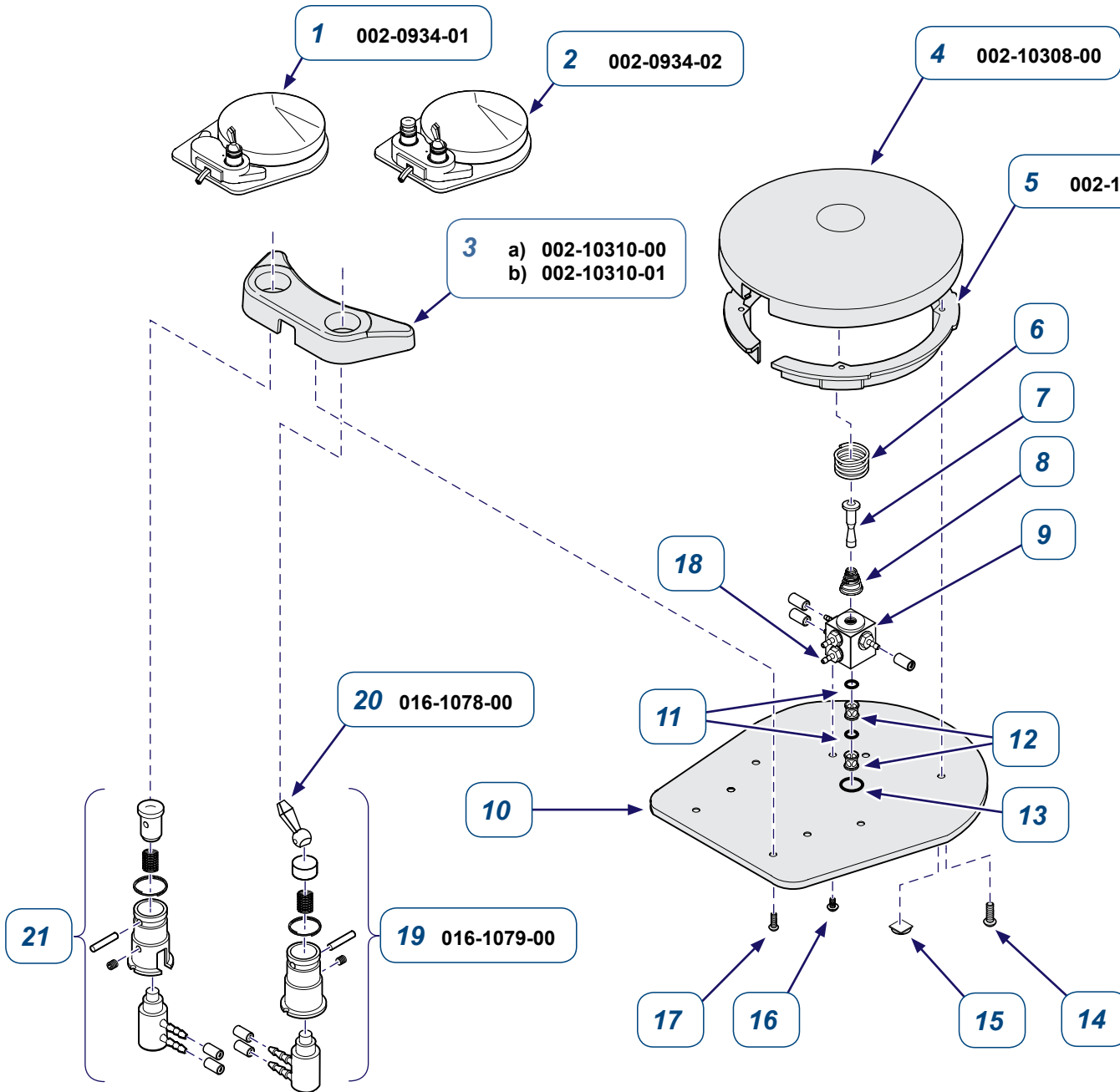
*Foot Controls: After Serial Number: V203808 thru Present*

DA3153i



Foot Control		
Item	Description	Qty.
1	Foot Control Assembly (includes items 2 - 27)	1
2a	• Valve Housing Kit 3-Port	1
2b	• Valve Housing Kit with Chip Air	
3	• Wet/Dry Toggle Assy. [DP# 1231MK]	1
4	•• Toggle, Wet/Dry [DP# V-1550MK]	1
5	• Dome Kit	1
6	• Dome Retaining Ring Kit	1
7	• Valve [DCI# ] (includes items 8 thru 14)	1
8	•• Retaining Ring [DCI# 9602]	1
9	•• Stem w/Retaining Ring [DCI# 6096]	1
10	•• Return Ring [DCI# 6033]	1
11	•• Spring [DCI# 6042]	1
12	•• O-Ring Kit [DCI# 2205] (12 per pack, unit uses 2)	1
13	•• Spool [DCI# 6022]	1
14	•• O-Ring Kit [DCI# 2210] (12 per pack, unit uses 1)	1
15	• Screw [DCI# 9750]	4
16	• Screw [DCI# 9741]	2
17	• Screw [DCI# 9746]	4
18	• Bumper Pad Kit [DCI# 8070] (28 per pack, unit uses 10)	1
19	• Base Plate [DCI# ]	1
20	• Diaphragm [DCI# 9012] (10 per pack)	1
21	• Stem with O-Rings [DCI# 6098]	1
22	• Valve [DCI# ]	1
23	• Screw [DCI# ]	2
24	• Spring [DCI# 9029]	1
25	• Gasket	1
26	• Brass Plug	1
27	• Pebble Grey Tubing S059-00138 [DCI# 19661] (not shown)	AR

Page Applies To:	Model Numbers	Serial Numbers
Procenter Delivery System	all	Prior to V203808



Specify Length When Ordering

**Note**  
DP# is the manufacturer part number.

Foot Control		
Item	Description	Qty.
1	Foot Control w/Water On/Off Toggle (4 Port) (includes items 3 - 24 + Item 26)	1
2	Foot Control w/Water On/Off Toggle and Chip Air Pushbutton (includes items 3 - 24 + Item 26)	1
3	• Valve Housing Kit (3 port) • Valve Housing kit (with chip air)	1
4	• Dome [DP# R-F1200-2]	1
5	• Retainer Ring, Dome [DP# R-F1200-4MK]	1
6	• Spring, Dome [DP# R-F1200-3B]	1
7	• Valve Stem [DP# R-F1200-3C]	1
8	• Spring, Conical [DP# R-F12100-3A]	1
9	• Valve [DP]	1
10	• Base Plate	1
11	• O-Ring [DP# O-2008.1]	2
12	• Cartridge, Valve Stem [DP# R-F1200-3D]	2
13	• O-Ring [DP# O-2012.1]	1
14	• Screw (#6 X 1/2") [DP# RF1024]	4
15	• Foot, Rubber [DP# R-F1200-5]	5
16	• Screw (#4-40 X 5/16") [DP# R-F1025]	2
17	• Screw (#4 X 1/2") [DP# R-F1081]	4
18	• Barbed Fitting (3/16") [DP# P-1898]	2
19	• Wet/Dry Toggle Assy. [DP# 1231MK]	1
20	• Toggle [DP# V-1550MK]	1
21	• Chip Air Button Assy. [DP# F-1232MK]	1
22	• Uni-clamp 117479 (not shown - 1/8" O.D.)	6
23	• Fitting, Barb 117481 (not shown - 1/16" x 1/16")	3
24	• Fitting, Barb 014-0542-01 (not shown - 3/16" x 3/16")	2
25	Kit, Foot Control Connections 002-1001-00 (not shown) (includes items 23, 24 & 26)	1
26	• Foot Control Tubing (included with all kits shown here, also available as a separate item)	AR

Page Applies To:	Model Numbers	Serial Numbers
Procenter Delivery System	all	V203808 to Present
Elevance Delivery System	all	all

DA2927i