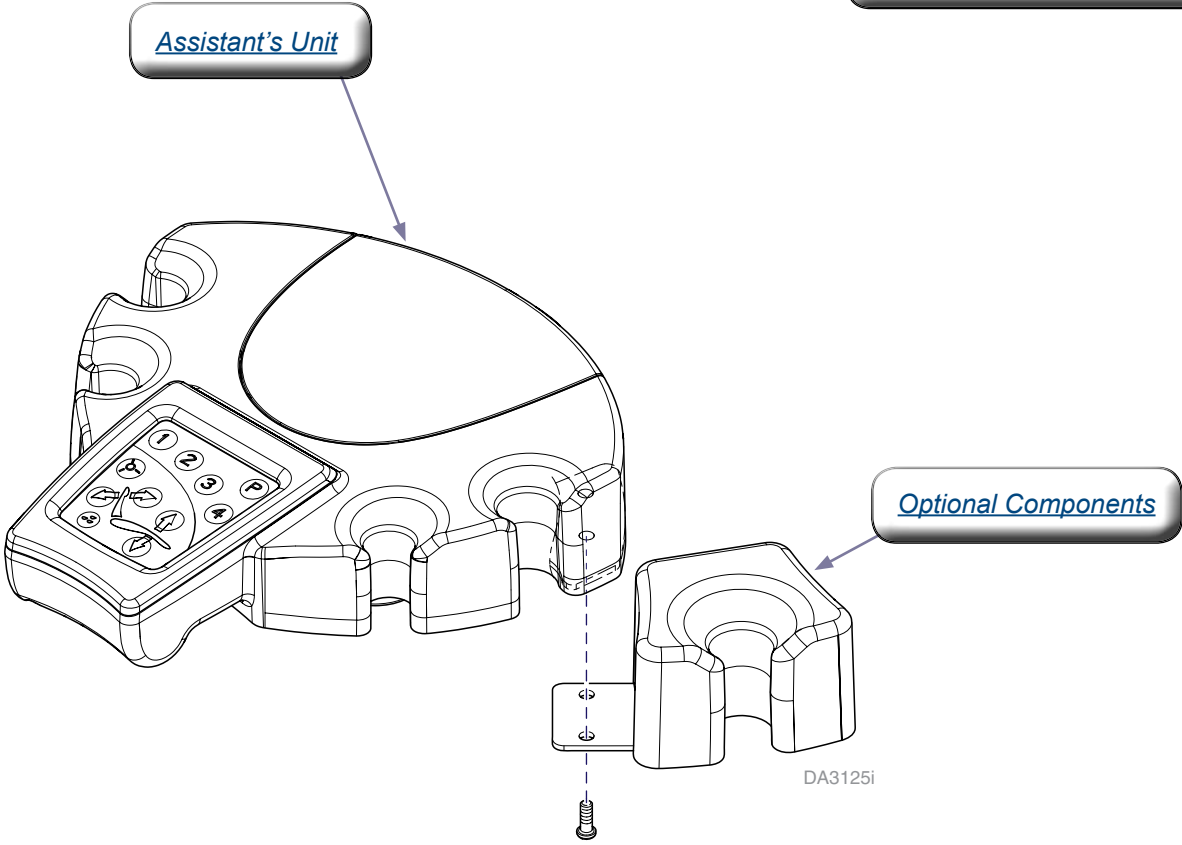
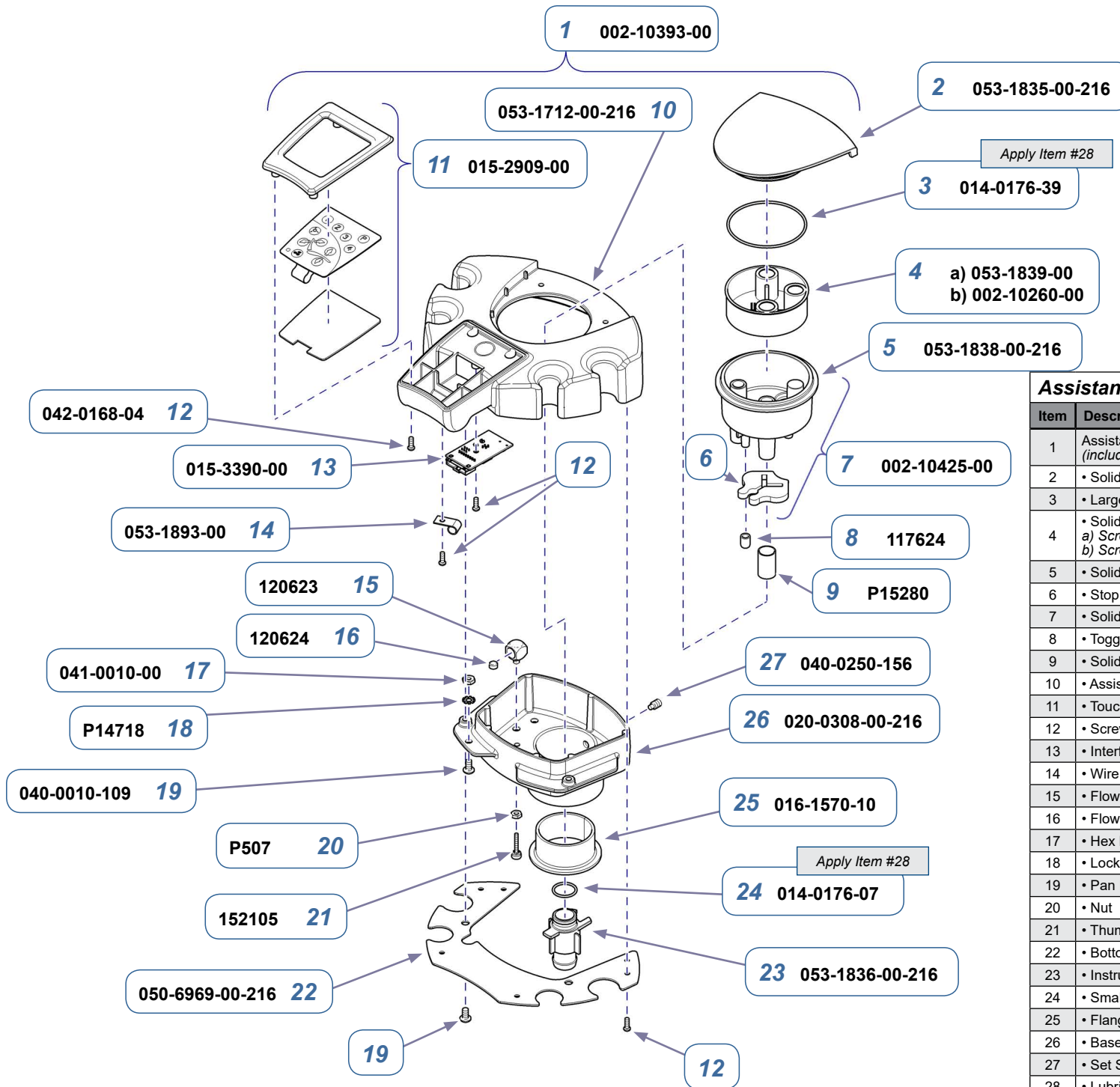


Elevance™ Assistant's Unit

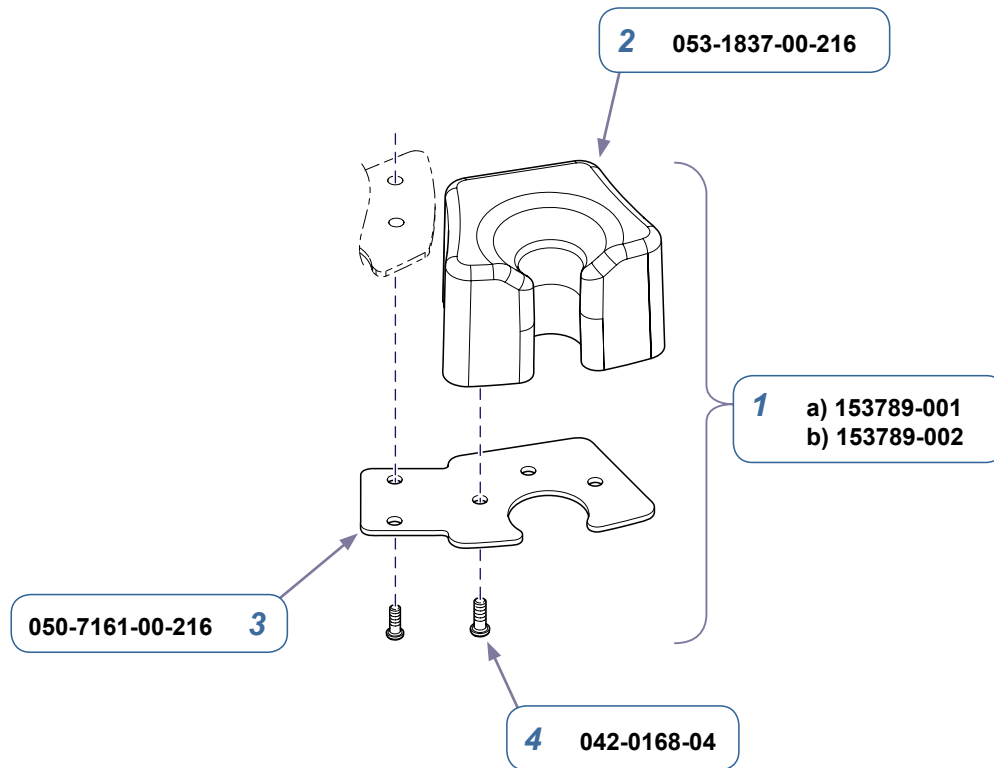
Common Components..... 004-0859-99
Includes: Connectors, tubing, syringes,
umbilicals, HVE / saliva ejectors





Assistant's Unit

Item	Description	Qty.
1	Assistant's Head Assembly (includes Items 2 - 27)	1
2	• Solids Collector Cap	1
3	• Large O-Ring	1
4	• Solids Collector Screen a) Screen b) Screen bulk kit	1 50
5	• Solids Collector	1
6	• Stop Reinforcement	1
7	• Solids Housing Kit (includes Items 5 - 6)	1
8	• Toggle Cap	1
9	• Solids Collector Sleeve Cap	2
10	• Assistant Head Housing	1
11	• Touch Pad	1
12	• Screw	14
13	• Interface Control PCB Assembly	1
14	• Wire Retainer Clip	1
15	• Flow Adjust Fitting	2
16	• Flow Adjust Pad	2
17	• Hex Nut (#10-24)	1
18	• Lockwasher	1
19	• Pan Head Screw (#10-24 x 3/8")	3
20	• Nut	2
21	• Thumb Screw Assembly	2
22	• Bottom Cover	1
23	• Instrument Head Connector	1
24	• Small O-Ring	1
25	• Flange Bearing	1
26	• Base	1
27	• Set Screw (1/4-20 x 3/8")	1
28	• Lubricant (185165 - not shown)	AR



DA3225i

Optional Components		
Item	Description	Qty.
1	Auxiliary Holder (<i>includes Items 2 - 4</i>) a) Left b) Right	1
2	• Holder	1
3	• Mount Plate	1
4	• Screw	3