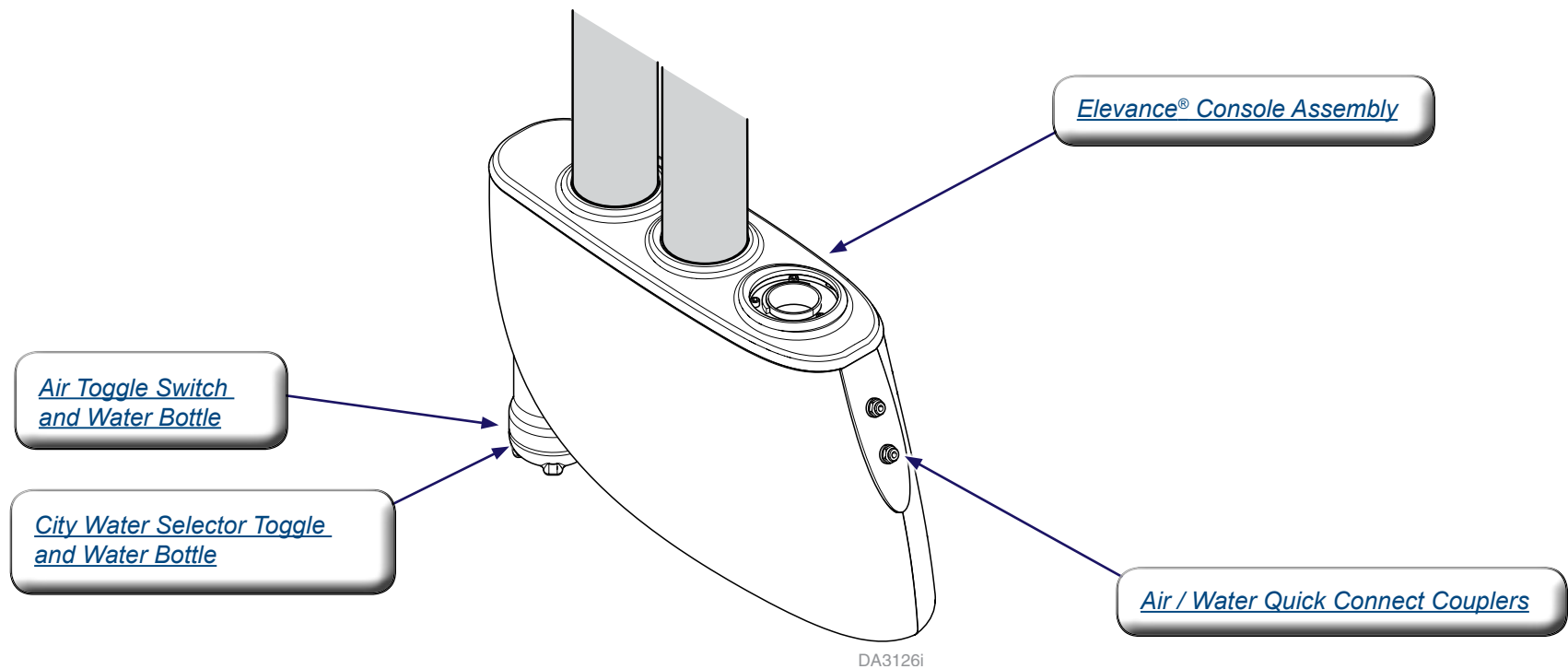
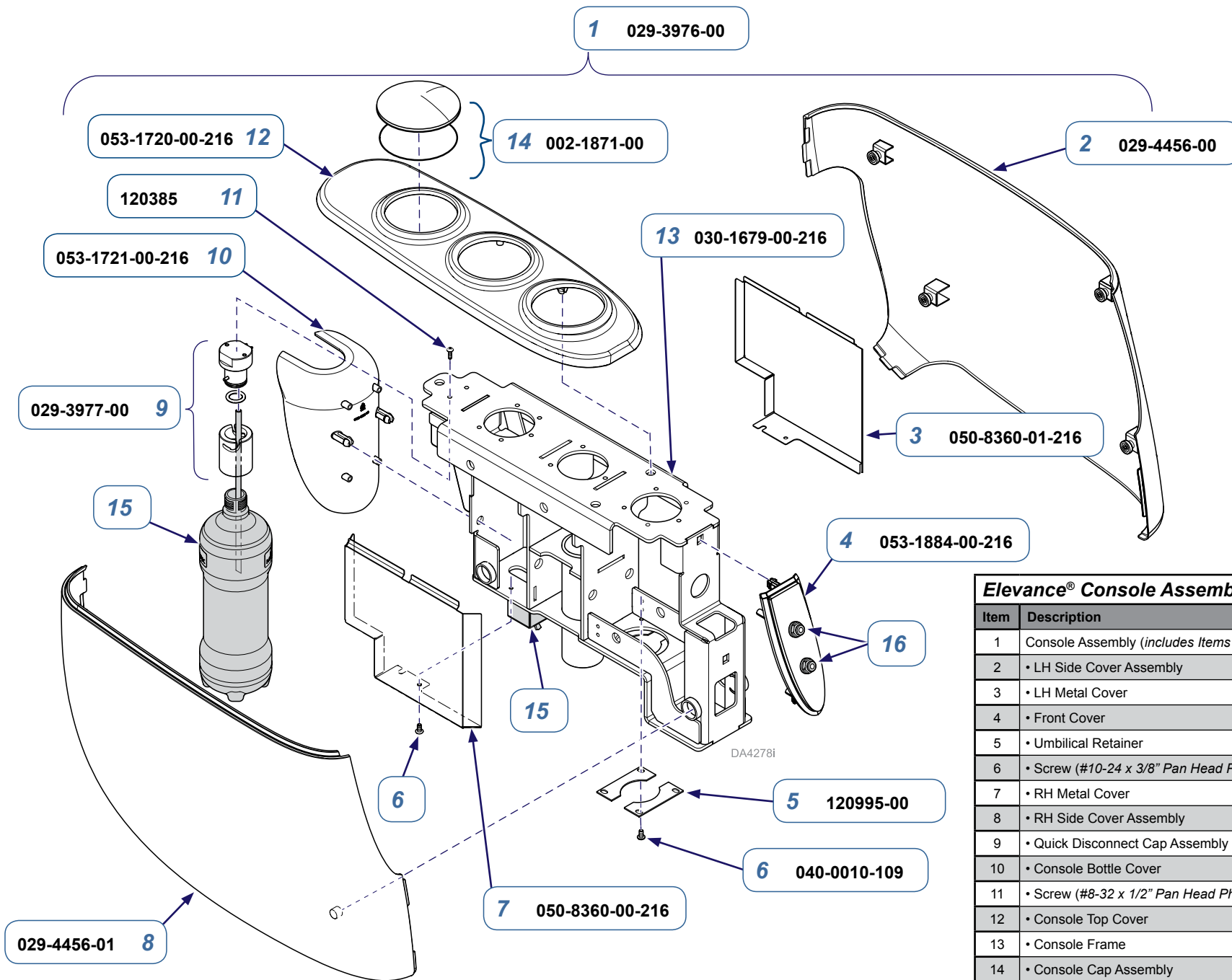


# Console Assembly (Elevance® Delivery System - 029-3976-00)

Common Components..... 004-0859-99

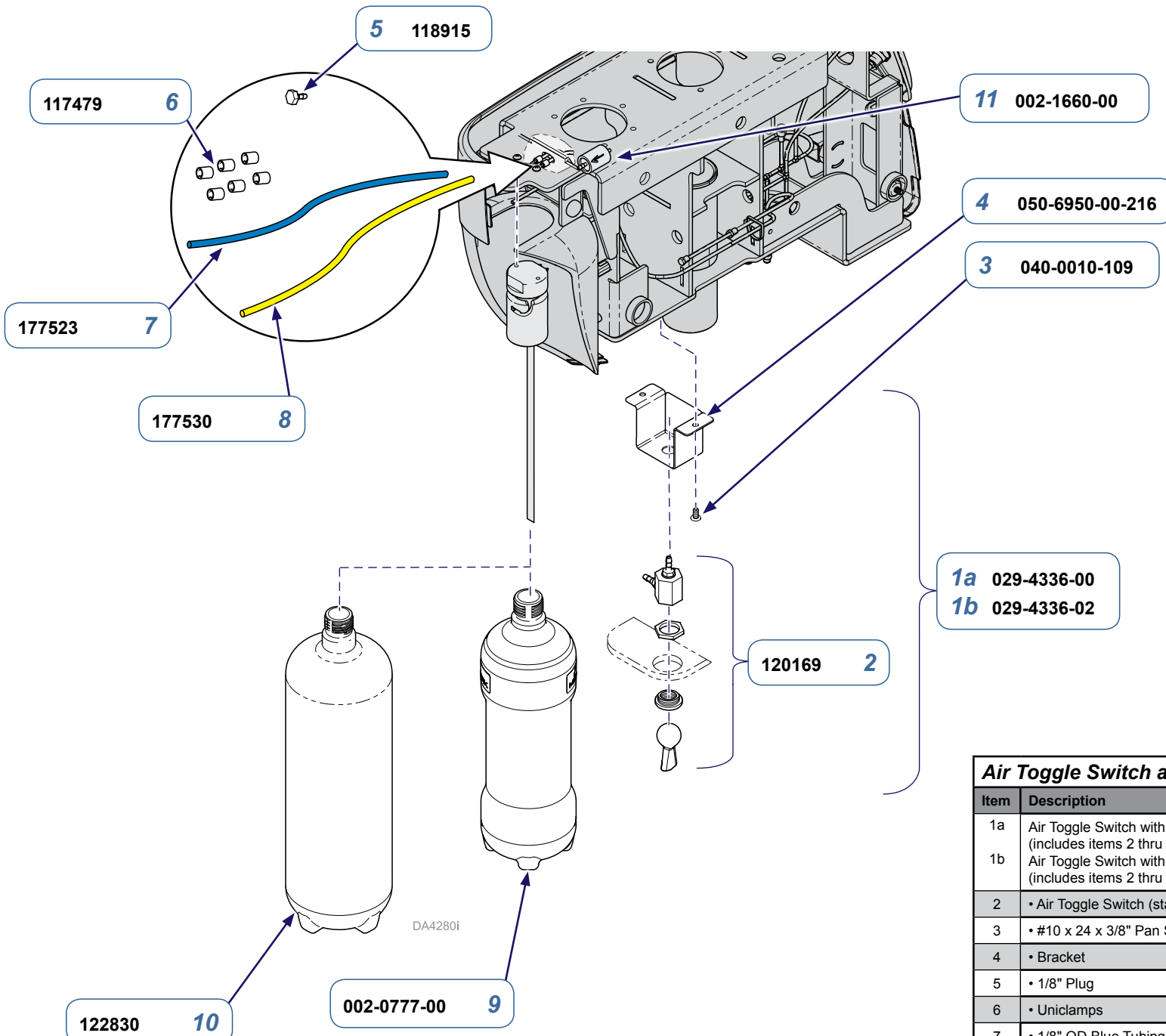
Includes: Connectors, tubing, syringes, .....  
umbilicals, HVE / saliva ejectors



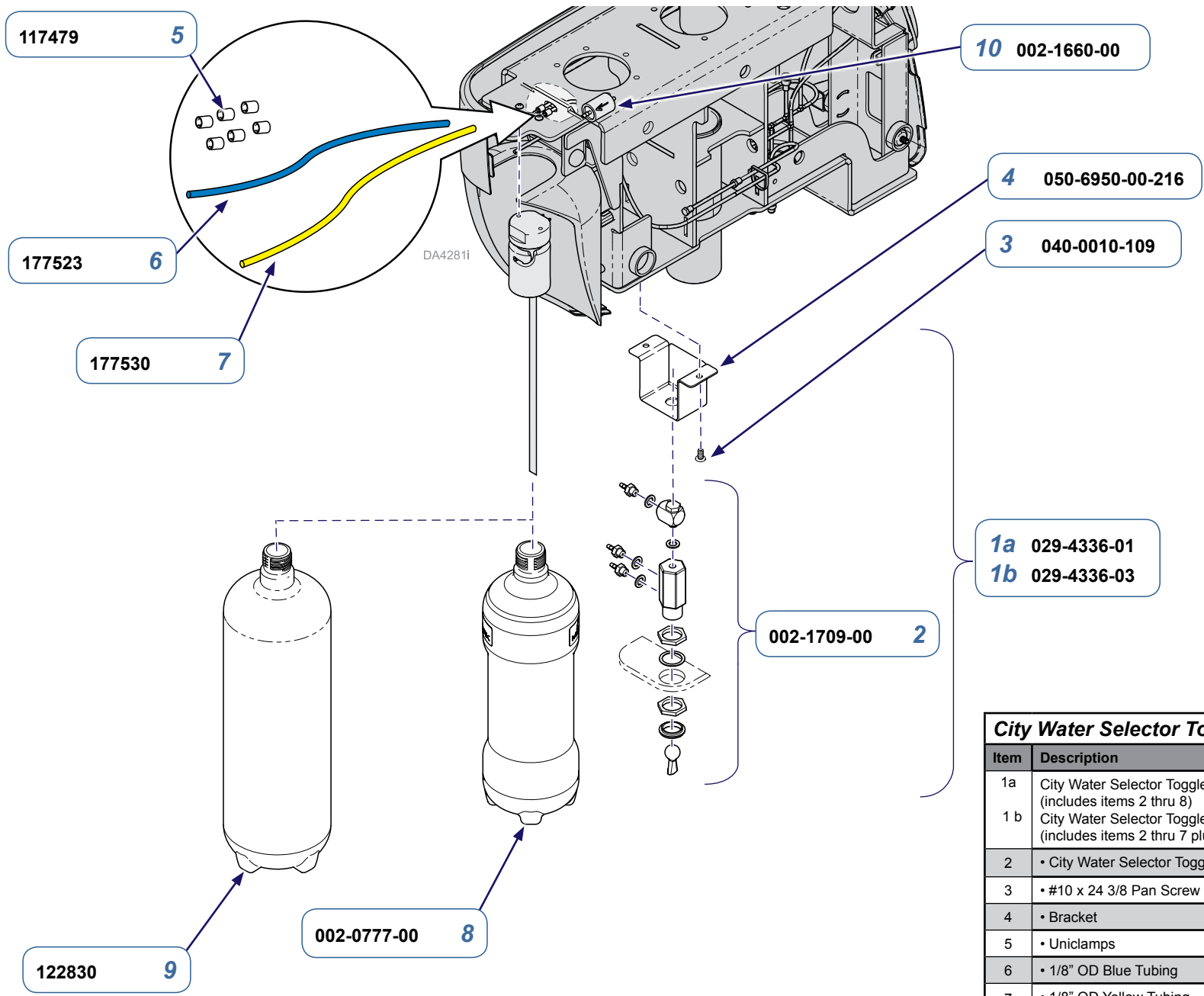


Elevance® Console Assembly		
Item	Description	Qty
1	Console Assembly (includes Items 2 - 14)	1
2	• LH Side Cover Assembly	1
3	• LH Metal Cover	1
4	• Front Cover	1
5	• Umbilical Retainer	2
6	• Screw (#10-24 x 3/8" Pan Head Phillips)	6
7	• RH Metal Cover	1
8	• RH Side Cover Assembly	1
9	• Quick Disconnect Cap Assembly	1
10	• Console Bottle Cover	1
11	• Screw (#8-32 x 1/2" Pan Head Phillips)	2
12	• Console Top Cover	1
13	• Console Frame	1
14	• Console Cap Assembly	AR
15	Ref: <a href="#">Air Toggle Switch and Water Bottle</a> <a href="#">City Water Selector Toggle and Water Bottle</a>	Ref.
16	Ref: Air / Water Quick Connect Couplers	Ref.

<b>Page Applies To:</b> <i>Delivery Systems (Console)</i>	<b>Mounted to:</b> <i>Elevance Chair</i>	<b>Delivery System Serial Numbers:</b> <i>all</i>
--	---	--

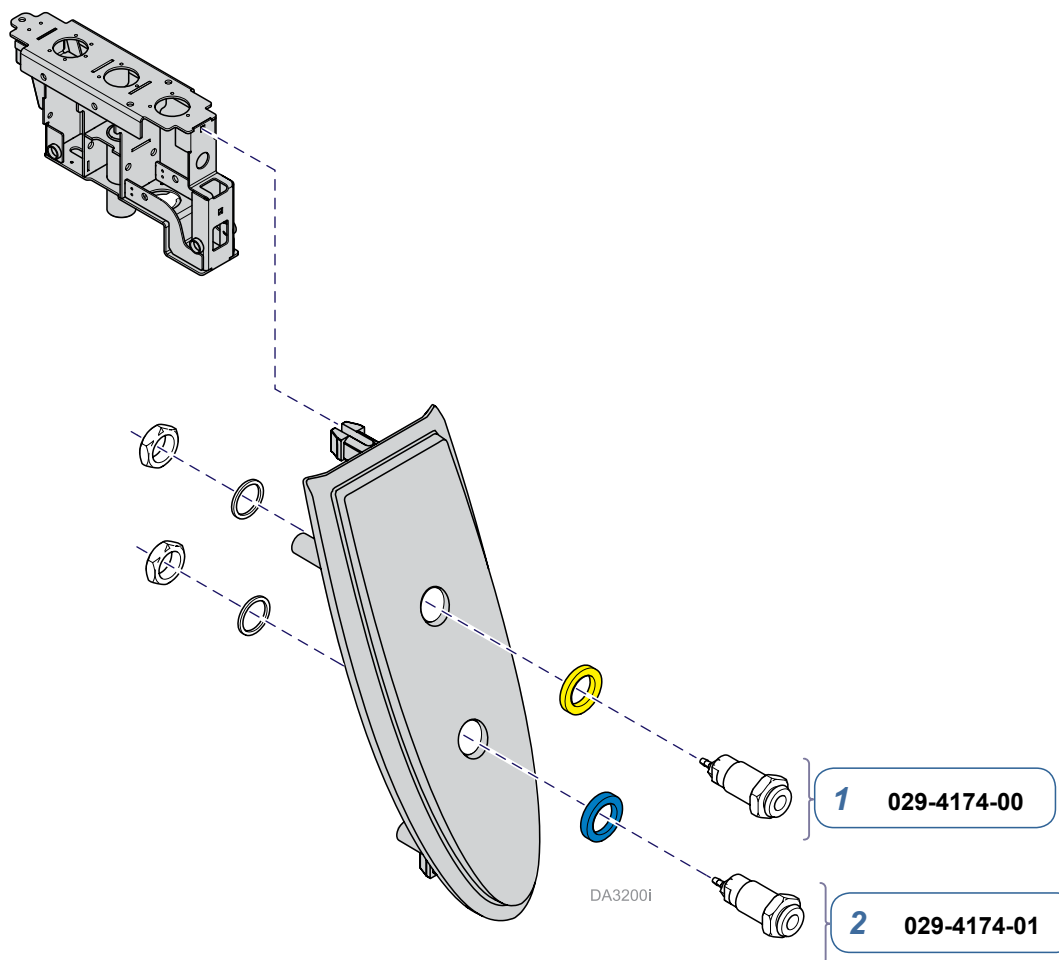


<b>Air Toggle Switch and Water Bottle</b>		
Item	Description	Qty
1a	Air Toggle Switch with 1 Liter Water Bottle (includes items 2 thru 9)	1
1b	Air Toggle Switch with 2 Liter Water Bottle (includes items 2 thru 8 plus item 10)	1
2	• Air Toggle Switch (standard)	1
3	• #10 x 24 x 3/8" Pan Screw	2
4	• Bracket	1
5	• 1/8" Plug	1
6	• Unicamps	6
7	• 1/8" OD Blue Tubing	AR
8	• 1/8" OD Yellow Tubing	AR
9	• 1L Water Bottle Kit	1
10	Optional Water Bottle 2 Liter	1
11	In-line Air Regulator Kit ( includes unicamps)	1



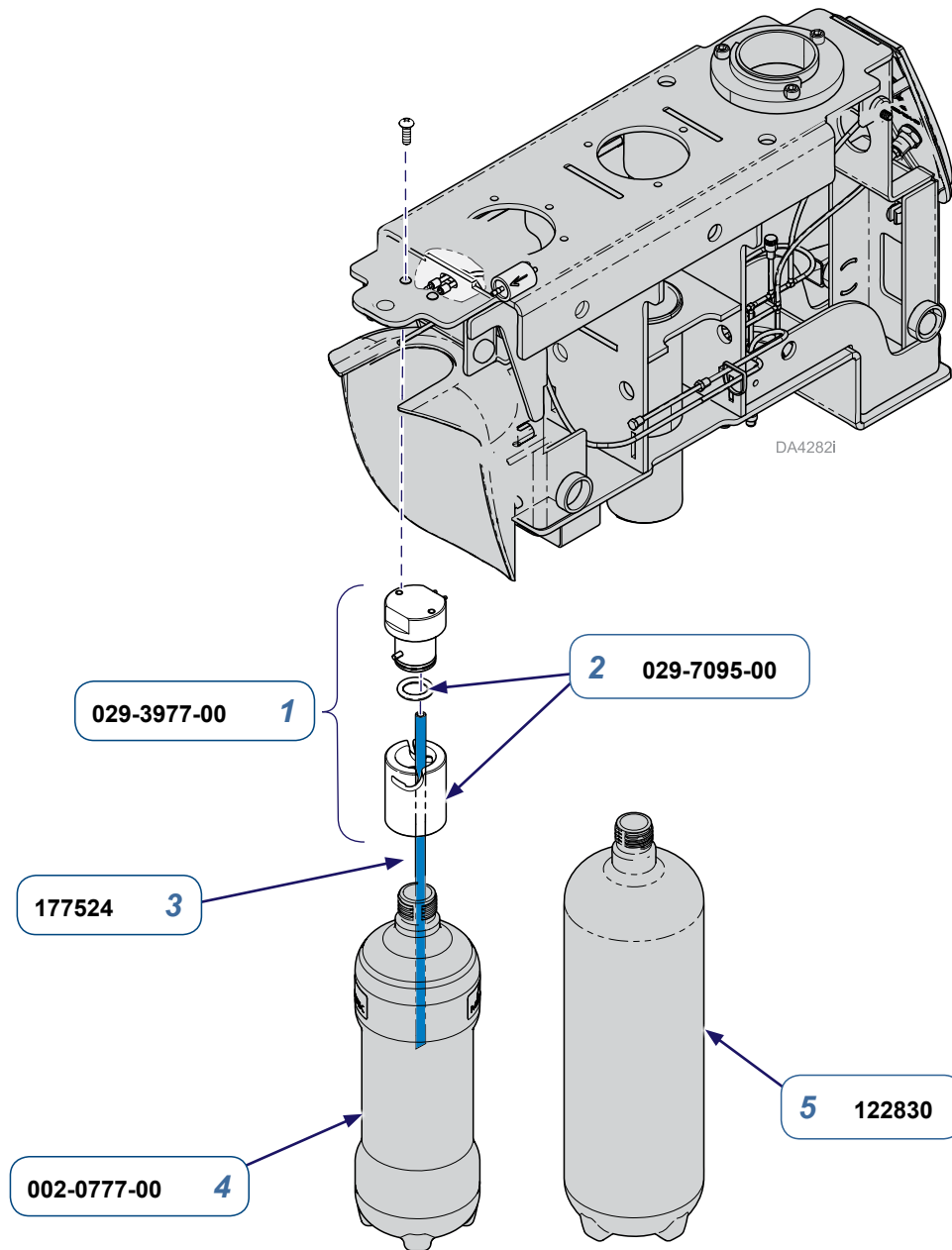
City Water Selector Toggle and Water Bottle		
Item	Description	Qty
1a	City Water Selector Toggle Switch. with 1 L Water Bottle (includes items 2 thru 8)	1
1b	City Water Selector Toggle Switch with 2 L Water Bottle (includes items 2 thru 7 plus Item 9)	1
2	• City Water Selector Toggle Switch (optional)	1
3	• #10 x 24 3/8 Pan Screw	2
4	• Bracket	1
5	• Uniclamps	6
6	• 1/8" OD Blue Tubing	AR
7	• 1/8" OD Yellow Tubing	AR
8	• 1L Water Bottle Kit	1
9	Optional 2 Liter Water Bottle	1
10	In-line Air Regulator Kit (includes uniclamps)	1

Page Applies To:	Mounted to:	Delivery System Serial Numbers:
<b>Delivery Systems (Console)</b>	<i>Elevance Chair</i>	<i>all</i>



<b>Page Applies To:</b>	<b>Mounted to:</b>	<b>Delivery System Serial Numbers:</b>
<i>Delivery Systems (Console)</i>	<i>Elevance Chair</i>	<i>all</i>

<b>Air / Water Quick Connect Couplers</b>		
Item	Description	Qty.
1	Air Quick Connect Coupler (w/ Yellow Washer)	1
2	Water Quick Connect Coupler (w/ Blue Washer)	1



<b>Page Applies To:</b>	<b>Mounted to:</b>	<b>Delivery System Serial Numbers:</b>
<i>Delivery Systems (Console)</i>	<i>Elevance Chair</i>	<i>all</i>

Item	Description	Qty.
1	Water Bottle Quick Disconnect Cap Assembly (includes items 2 - 3)	1
2	• Cap Assembly (includes O-ring 014-0176-52)	1
3	• 1/4" O.D. Tubing Blue	1 ft.
4	Ref. 1L Water Bottle Kit	1
5	Ref. Optional Water Bottle (2 Liter)	1