

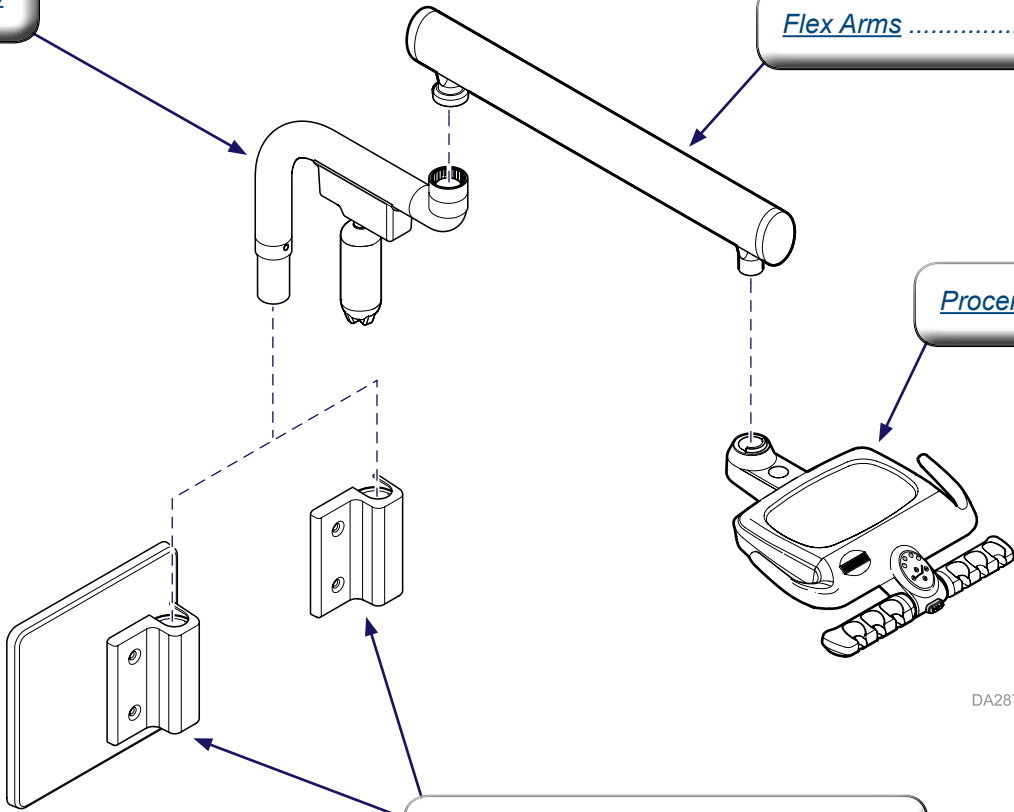
# Side Delivery Systems (Wall / Cabinet Mtd.)

Common Components..... 004-0859-99  
Includes: Connectors, tubing, syringes, .....  
umbilicals, HVE / saliva ejectors

Unit Arm / Water Bottle

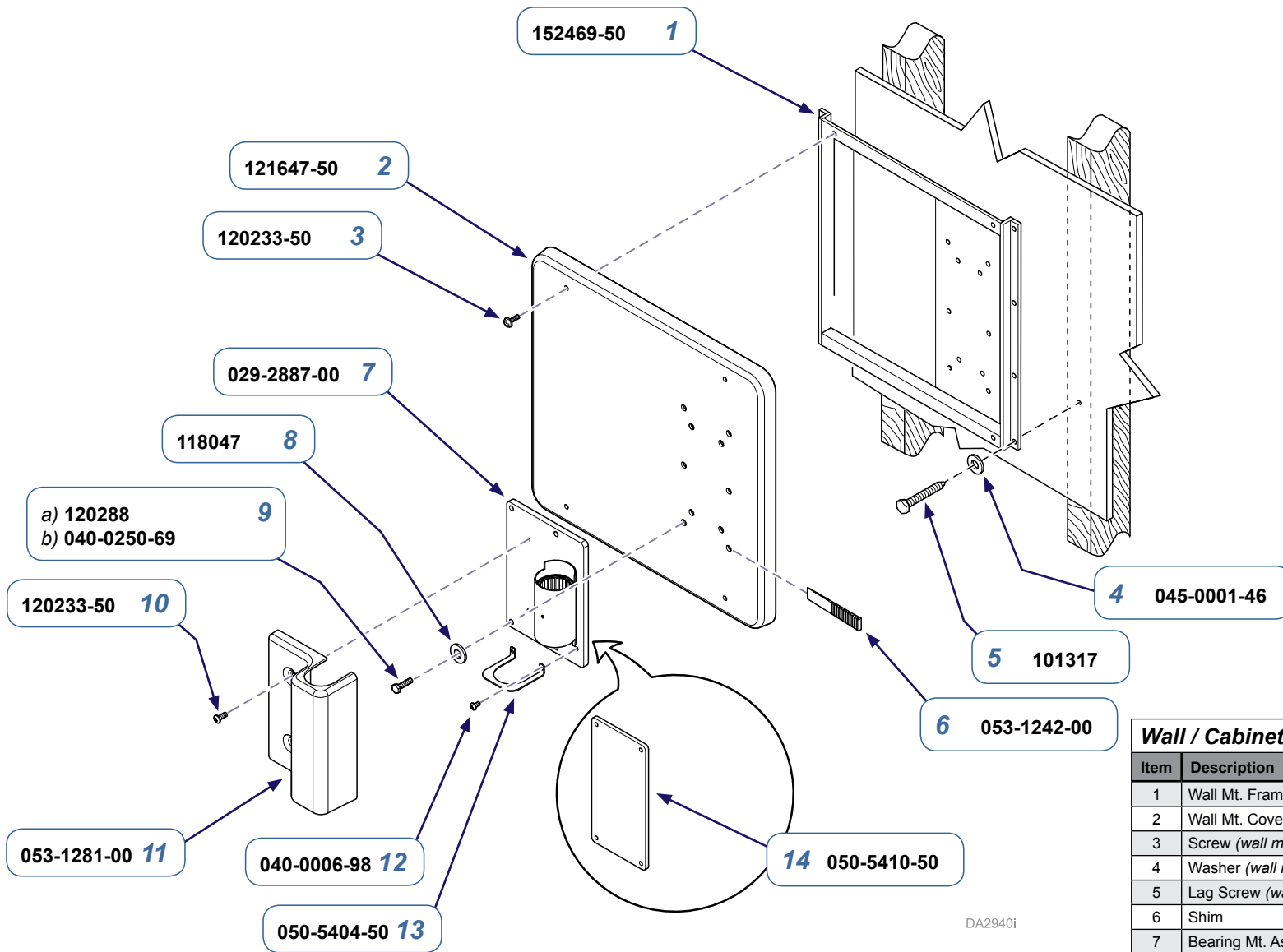
Flex Arms ..... 004-0846-99

Procenter Delivery Unit..... 004-0857-99



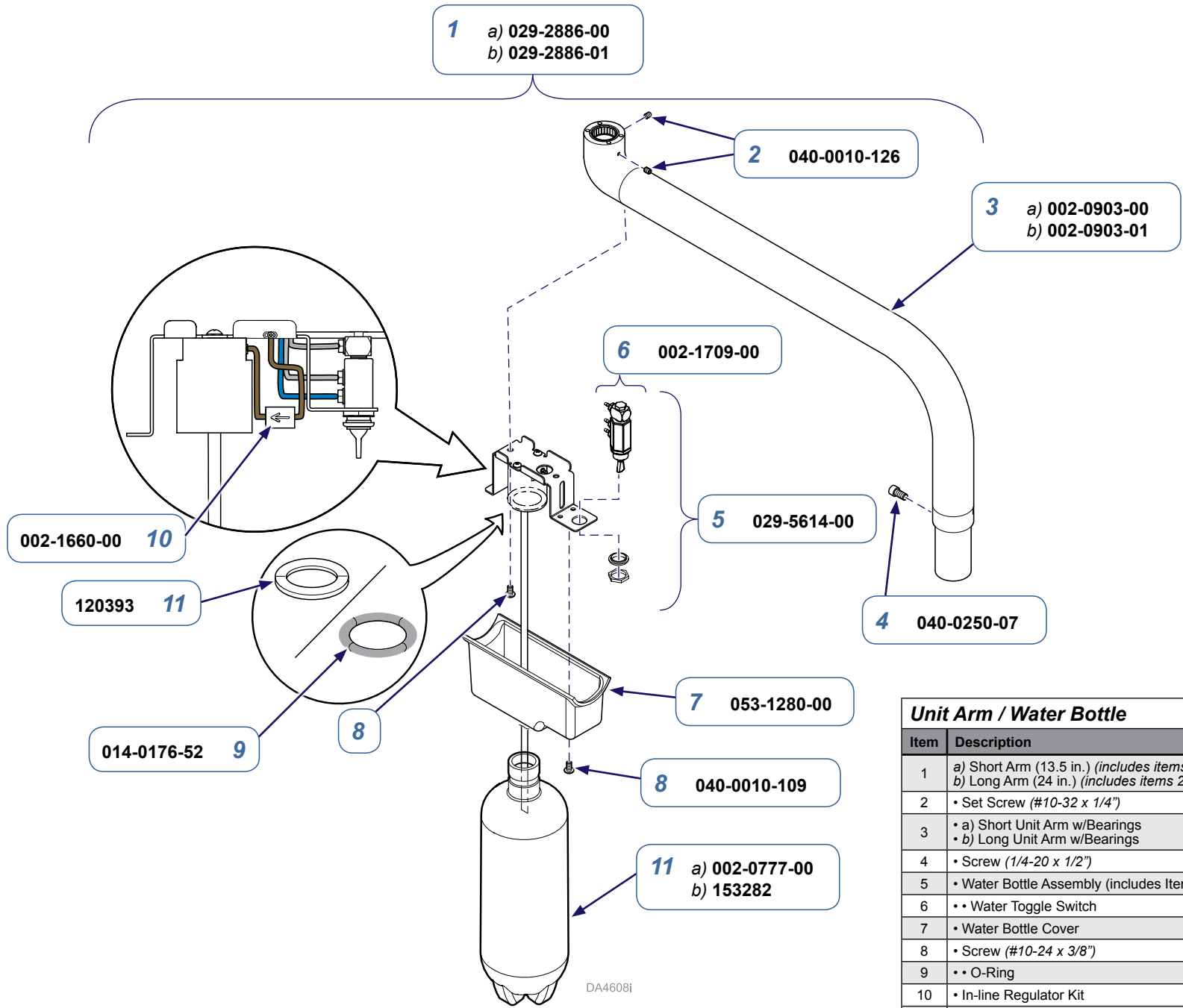
Wall / Cabinet Mount Components

DA2874i



<b>Wall / Cabinet Mount Components</b>		
Item	Description	Qty.
1	Wall Mt. Frame ( <i>wall mtd. only</i> )	1
2	Wall Mt. Cover ( <i>wall mtd. only</i> )	1
3	Screw ( <i>wall mtd. only</i> )	4
4	Washer ( <i>wall mtd. only</i> )	8
5	Lag Screw ( <i>wall mtd. only</i> )	8
6	Shim	2
7	Bearing Mt. Assy.	1
8	Washer	4
9	a) Screw (1/4-20 x 1 1/2") ( <i>cabinet mtd. only</i> ) b) Screw (1/4-20 x 2 1/4") ( <i>wall mtd. only</i> )	4
10	Screw	2
11	Bearing Mt. Cover	1
12	Screw	2
13	Umbilical Retainer	1
14	Backing Plate ( <i>cabinet mtd. only</i> )	1

Page Applies To:	Model Numbers	Serial Numbers
<b>Side Delivery Systems</b>	153678	<i>all</i>



Unit Arm / Water Bottle		
Item	Description	Qty.
1	a) Short Arm (13.5 in.) (includes items 2 thru 10) b) Long Arm (24 in.) (includes items 2 thru 10)	1
2	• Set Screw (#10-32 x 1/4")	2
3	• a) Short Unit Arm w/Bearings • b) Long Unit Arm w/Bearings	1
4	• Screw (1/4-20 x 1/2")	1
5	• Water Bottle Assembly (includes Item 10)	1
6	• Water Toggle Switch	1
7	• Water Bottle Cover	1
8	• Screw (#10-24 x 3/8")	4
9	• O-Ring	
10	• In-line Regulator Kit	1
11	Water Bottle a) 1 Liter Bottle b) 2 Liter Bottle	1
12	Flat Gasket (only used on early units)	1

Page Applies To:	Model Numbers:	Serial Numbers:
Side Delivery Systems	153678	V1349188 - present