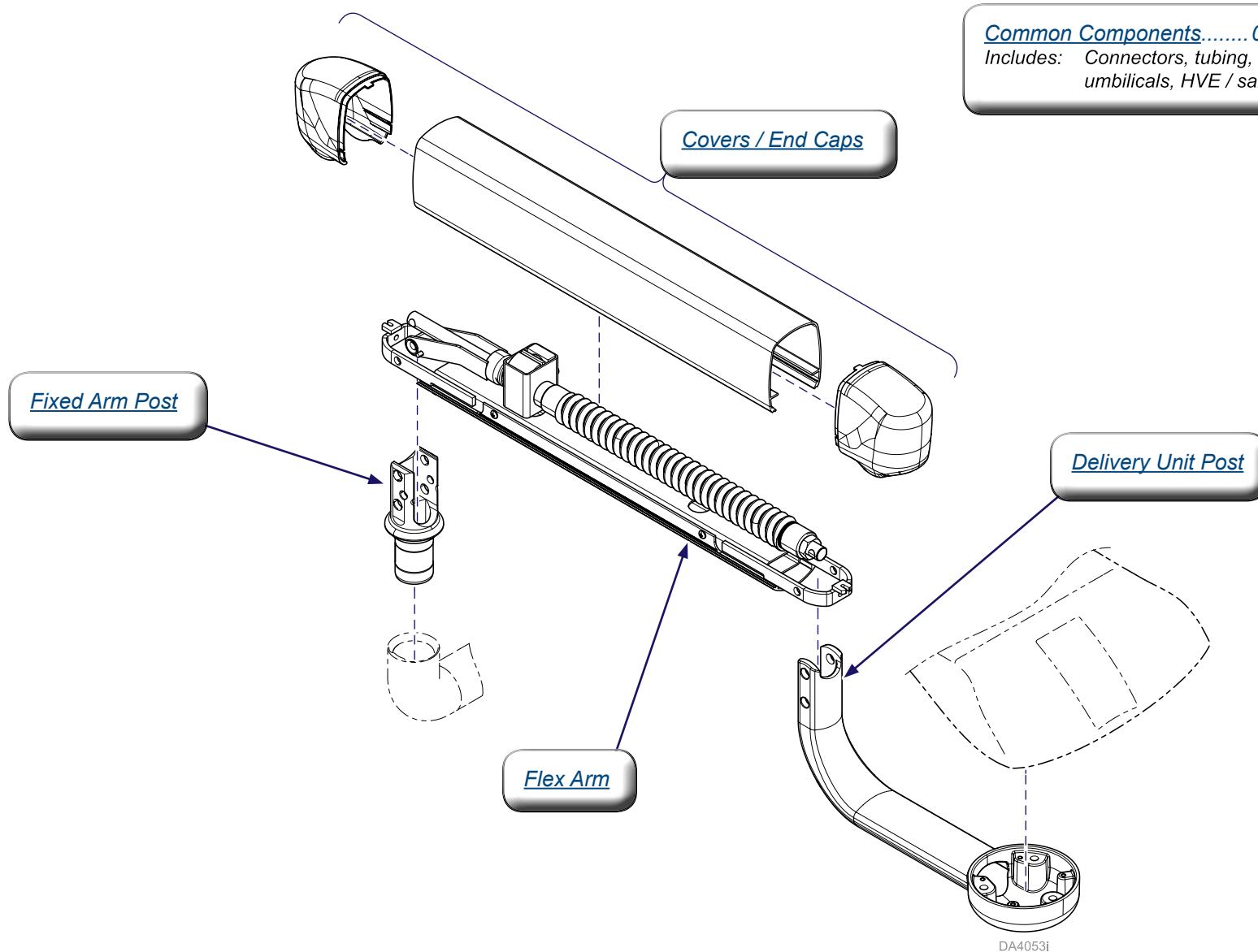
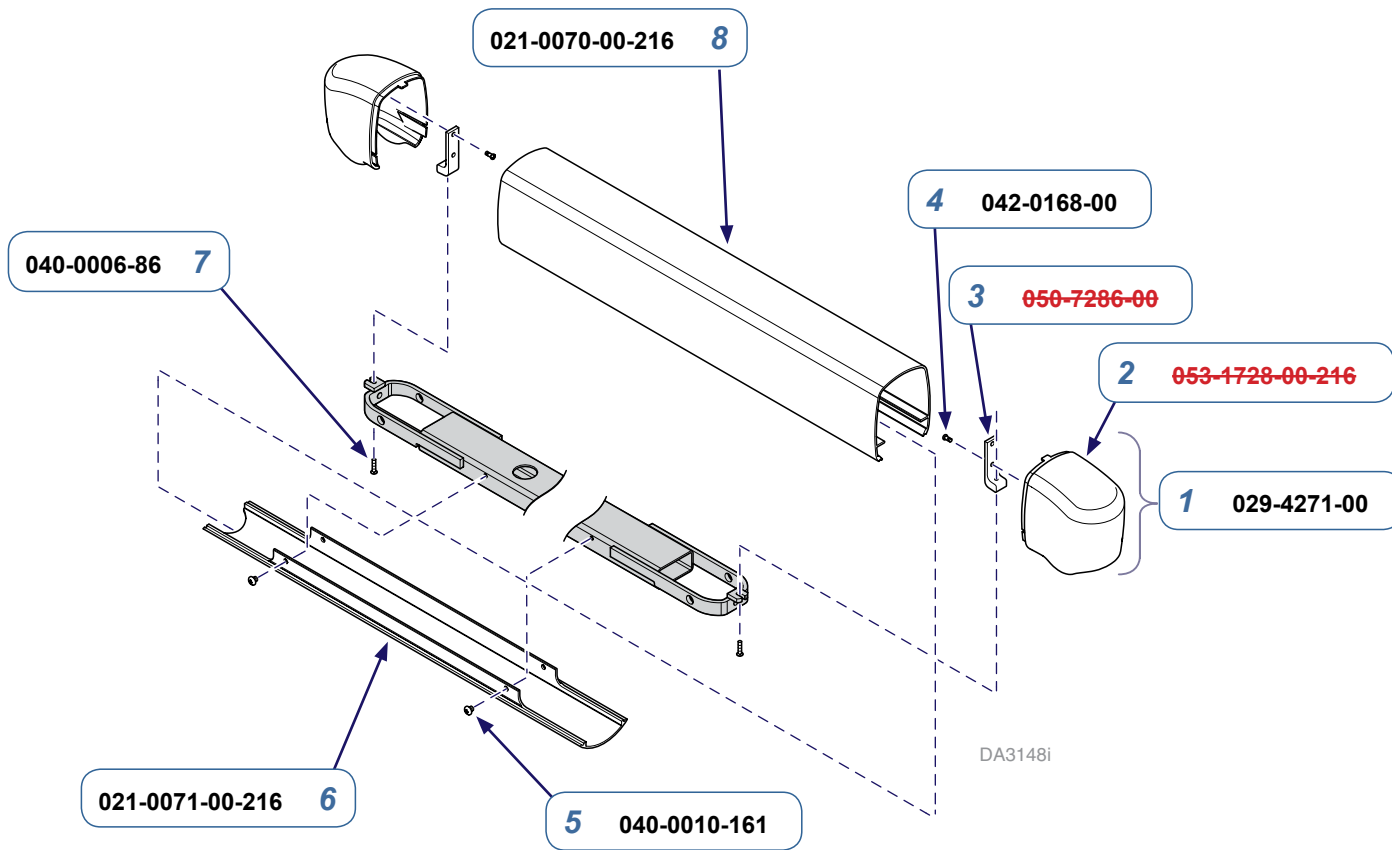


Flex Arms (for Elevance™ Delivery Units - 029-4013-00)



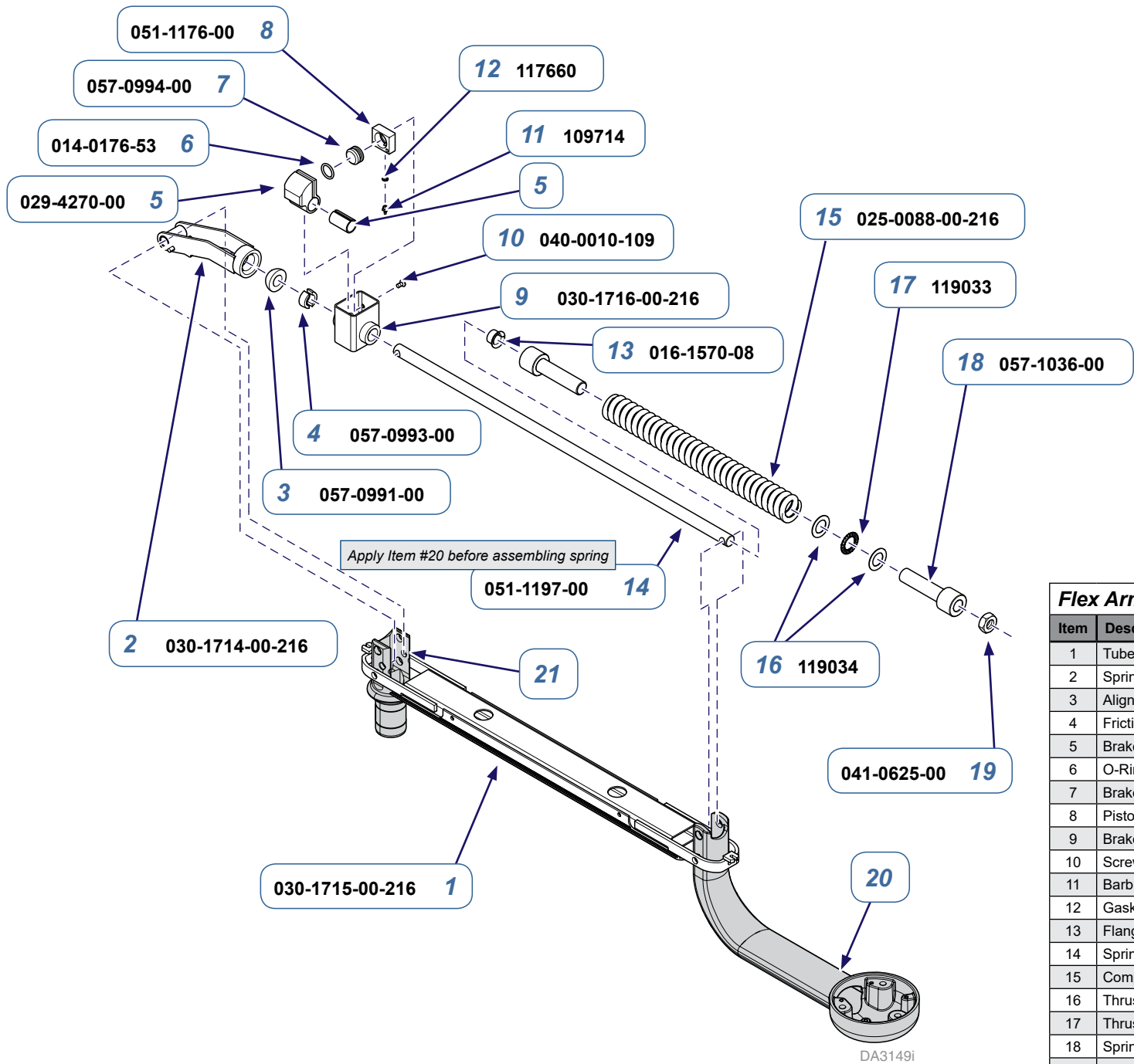
TP205 Rev. B



DA3148i

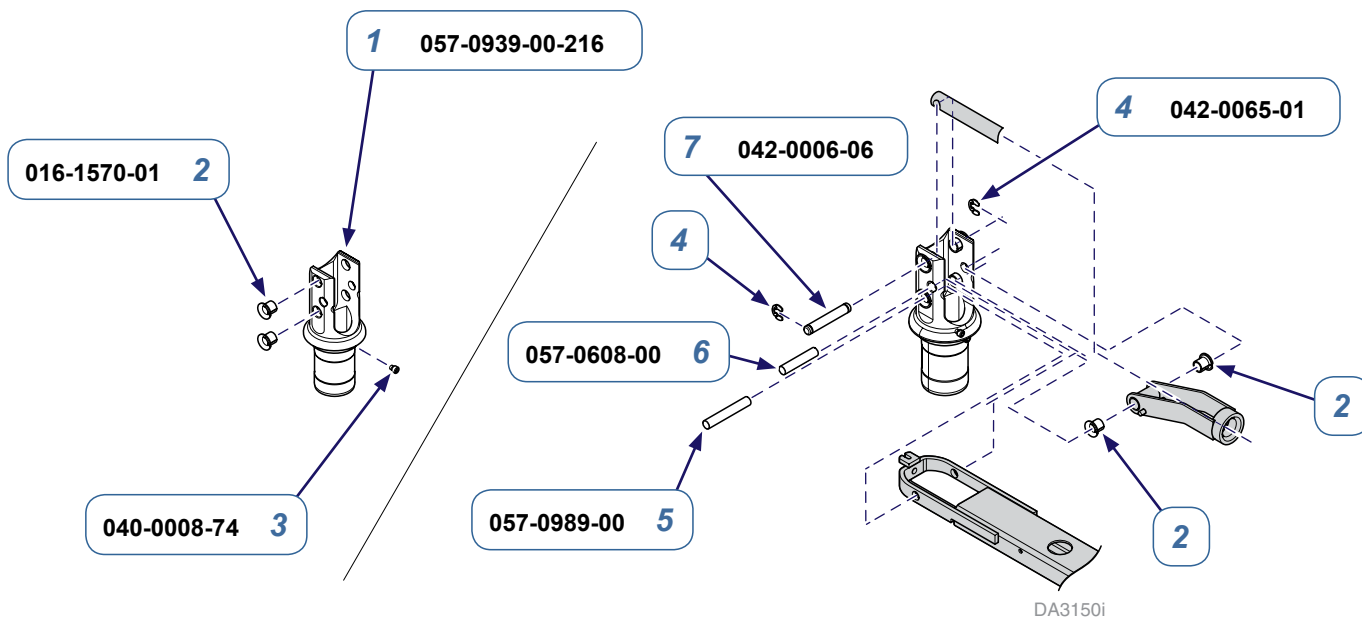
Covers / End Caps		
Item	Description	Qty.
1	End Cap Assembly (includes Items 2 - 4)	2
2	• End Cap	1
3	• Bracket	1
4	• Screw	2
5	Screw (Pan Head Phillips)	4
6	Lower Cover	1
7	Screw (Hex Socket Button Head)	2
8	Upper Cover	1

Page Applies To:	Mounted to:	Delivery System Serial Numbers:
<i>Delivery Units (Cons. & LR/Rr Mtd.)</i>	<i>Elevance Chairs</i>	<i>all</i>



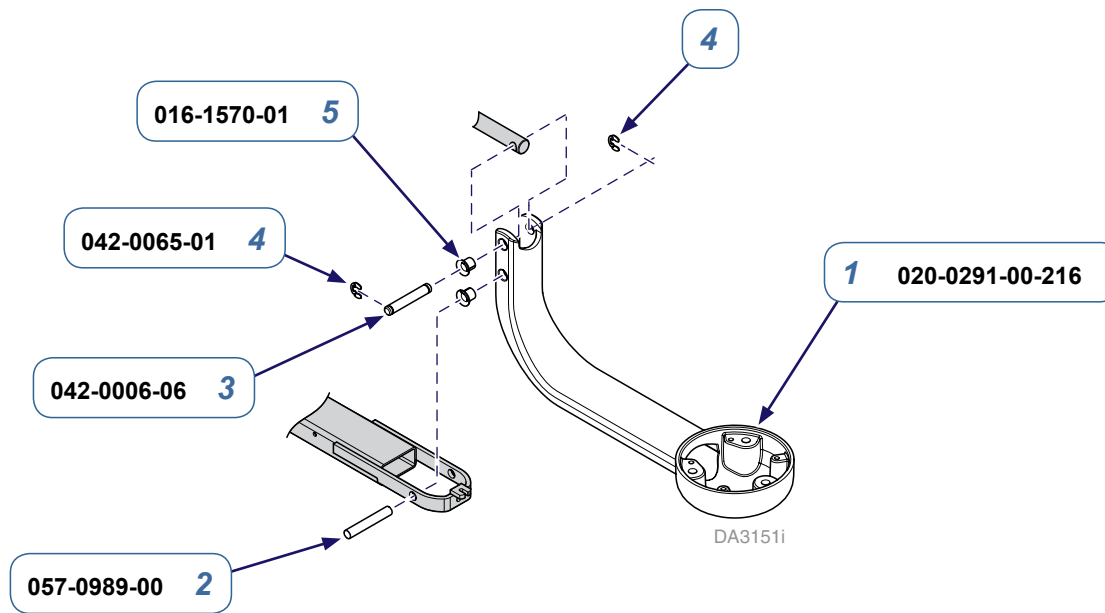
Flex Arm		
Item	Description	Qty.
1	Tube Assembly	1
2	Spring Link Assembly	1
3	Aligning Washer	1
4	Friction Pad	2
5	Brake Clamp Assembly	1
6	O-Ring	1
7	Brake Piston	1
8	Piston Housing	1
9	Brake Clamp Support	1
10	Screw (Pan Head Phillips)	2
11	Barb Fitting	1
12	Gasket	1
13	Flange Bearing (15/16" Flange Diameter)	1
14	Spring Rod	1
15	Compression Spring	1
16	Thrust Washer	2
17	Thrust Bearing	1
18	Spring Spacer	2
19	Jam Nut	1
20	Refer to: Delivery Unit Post	Ref
21	Refer to: Fixed Arm Post	Ref
22	Synthetic Lubricant (Not Shown - #064-0015-00)	AR

Page Applies To: <i>Delivery Units (Cons. & LR/Rr Mtd.)</i>	Mounted to: <i>Elevance Chairs</i>	Delivery System Serial Numbers: <i>all</i>
---	--	--



Fixed Arm Post		
Item	Description	Qty.
1	Fixed Mount	1
2	Flange Bearing (11/16" Flange Diameter)	6
3	Cap Screw (#8-32 x 3/16")	1
4	Kilpring (3/8")	2
5	Pivot Pin (2-3/8" Length)	1
6	Pivot Pin (1-7/8" Length)	1
7	Clevis Pin	1

Page Applies To:	Mounted to:	Delivery System Serial Numbers:
Delivery Units (Cons. & LR/Rr Mtd.)	<i>Elevance Chairs</i>	<i>all</i>



Delivery Unit Post		
Item	Description	Qty.
1	Unit Mount Arm	1
2	Pivot Pin (2-3/8" Length)	1
3	Clevis Pin	1
4	Kilpring (3/8")	2
5	Flange Bearing (11/16" Flange Diameter)	4

Page Applies To:	Mounted to:	Delivery System Serial Numbers:
Delivery Units (Cons. & LR/Rr Mtd.)	<i>Elevance Chairs</i>	<i>all</i>