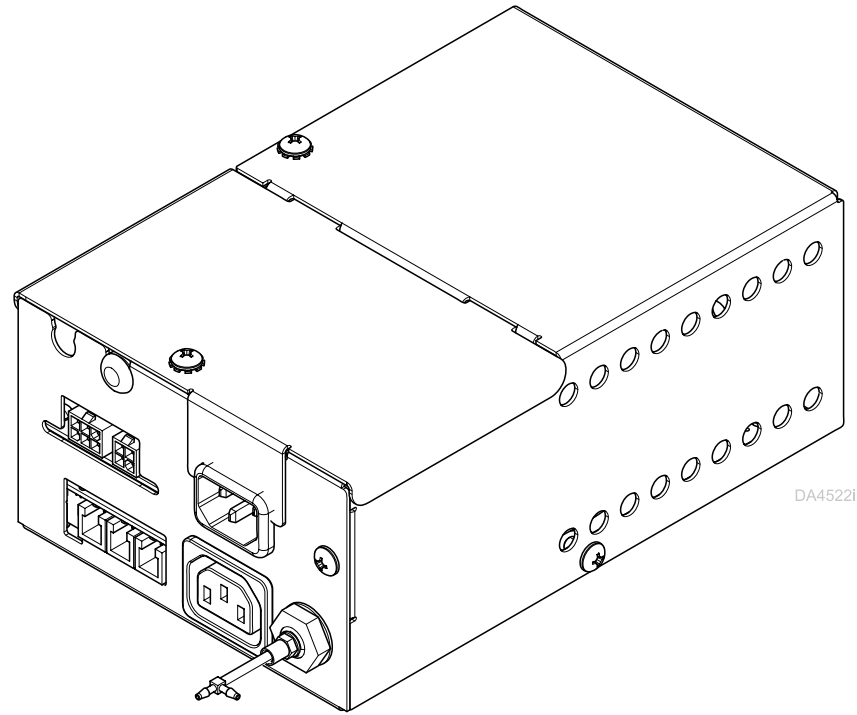
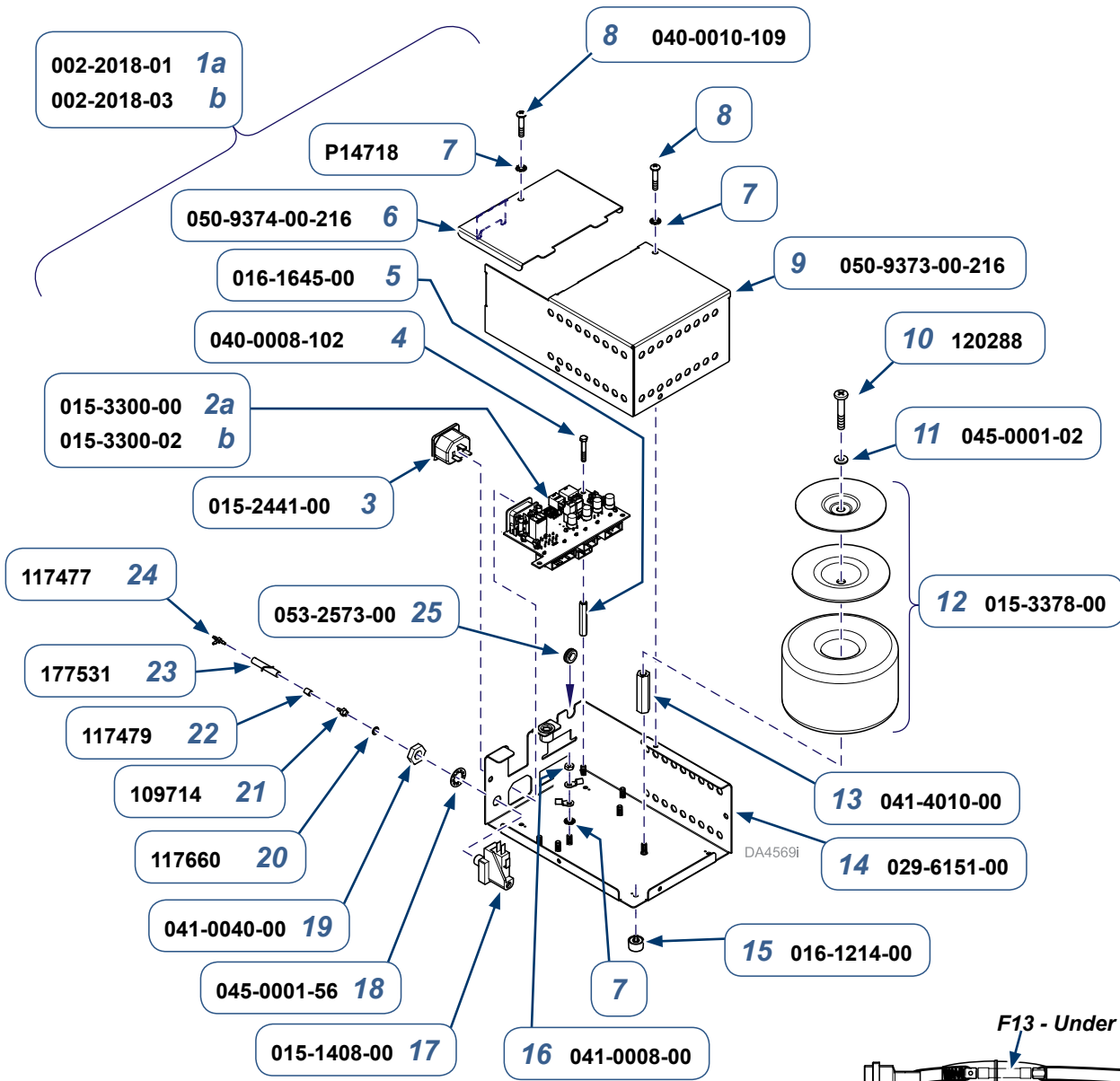


Pictorial Index: Power Supply Model 153941

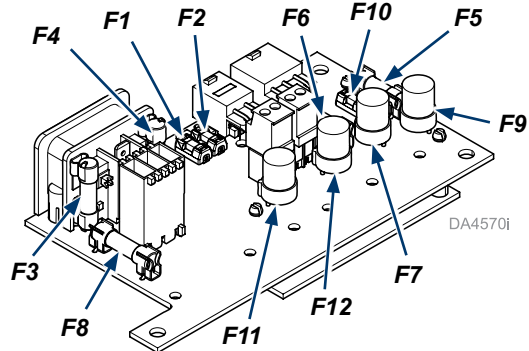


Power Supply
115 VAC with and without USB Hub Power
230 VAC with and without USB Hub Power

Page Applies To Power Supply:	Model Numbers / Kit Numbers:
115 VAC with USB Hub Power	153941-001 / 002-2018-01
115 VAC without USB Hub Power	153941-003 / 002-2018-03
230 VAC with USB Hub Power	153941-002 / 002-2018-02
230 VAC without USB Hub Power	153941-004 / 002-2018-04



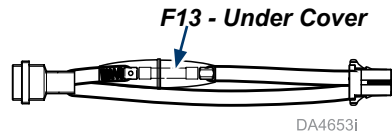
Fuse	Specifications	Part Number
F1, F2 and F10 (Spare)	F375mAL, 125V~	015-0346-55
F3, F4 and F8	T10AH, 250V~	015-0346-42
F5 (Spare) and F6	T7AL, 125V~	015-0346-54
F7, F9 (Spare), F11, and F12	T6.3AL, 250V~	015-0346-41



Power Supply (115 VAC)

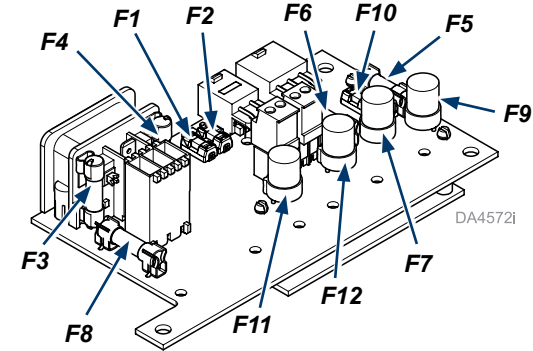
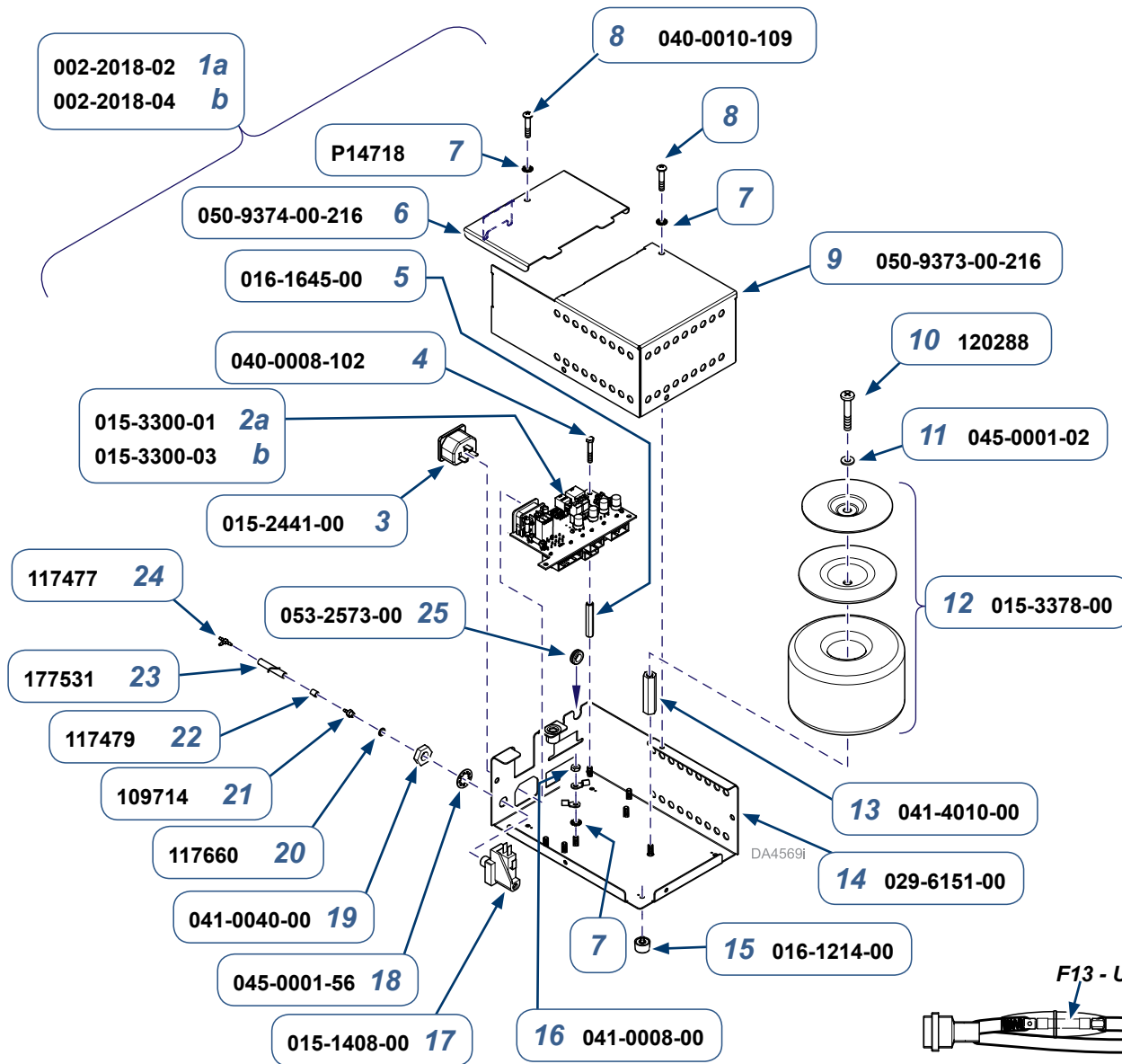
Item	Description	Qty.
1a b	Power Supply Assembly: with USB Hub Power (includes Items 2a-26) w/o USB (includes Items 2b-26 & NO F13 Fuse)	1
2a b	• PCB Assembly with USB Hub Power • PCB Assembly w/o USB Hub Power	1
3	• Outlet	1
4	• Screw (#8-32 X 3/8", Pan Head)	3
5	• Standoff	3
6	• Cover	1
7	• Lock Washer	5
8	• Screw (#10-24 X 3/8", Phillips)	6
9	• Top	1
10	• Screw (1/4-20 X 1 1/2")	1
11	• Washer (1/4")	1
12	• Toroid Assembly	1
13	• Coupling Nut	1
14	• Power Supply Chassis Assembly	1
15	• Vinyl Foot	4
16	• Nut (Hex, #8-32)	3
17	• Pressure Switch	1
18	• Lock Washer (7/16")	1
19	• Lock Nut	1
20	• Gasket	1
21	• Barb Fitting (#10-32 x 1/16")	1
22	• Uni-clamp Tee Fitting (1/16" barb)	1
23	• Tubing (1/8" red)	1
24	• Tee Fitting (1/16" barb)	1
25	• Grommet	1
26	• 015-2360-00 Power Cord (not shown)	1

Fuse	Specifications	Part Number
F13	T3AL, 250V~	015-0346-08



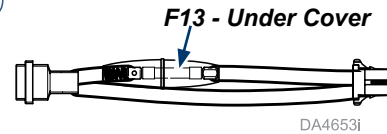
Page Applies To Model Numbers: 153941-001 and 153941-003
Serial Numbers: All

Fuse	Specifications	Part Number
F1, F2 and F10 (Spare)	F375mAL, 125V~	015-0346-55
F3, F4 and F8	T6.3AH, 250V~	015-0346-40
F5 (Spare) & F6	T7AL, 125V~	015-0346-54
F7, F9 (Spare), F11, and F12	T6.3AL, 250V~	015-0346-41



Power Supply (230 VAC)

Item	Description	Qty.
1a b	Power Supply Assembly: with USB Hub Power (includes Items 2a-26) w/o USB (includes Items 2b-26 & NO F13 Fuse)	1
2a b	• PCB Assembly with USB Hub Power • PCB Assembly w/o USB Hub Power	1
3	• Outlet	1
4	• Screw (#8-32 X 3/8", Pan Head)	3
5	• Standoff	3
6	• Cover	1
7	• Lock Washer	5
8	• Screw (#10-24 X 3/8", Phillips)	6
9	• Top	1
10	• Screw (1/4-20 X 1 1/2")	1
11	• Washer (1/4")	1
12	• Toroid Assembly	1
13	• Coupling Nut	1
14	• Power Supply Chassis Assembly	1
15	• Vinyl Foot	4
16	• Nut (Hex, #8-32)	3
17	• Pressure Switch	1
18	• Lock Washer (7/16")	1
19	• Lock Nut	1
20	• Gasket	1
21	• Barb Fitting (#10-32 x 1/16")	1
22	• Uni-clamp Tee Fitting (1/16" barb)	1
23	• Tubing (1/8" red)	1
24	• Tee Fitting (1/16" barb)	1
25	• Grommet	1
26	• 015-2360-01 Power Cord (not shown)	1



Fuse	Specifications	Part Number
F13	T3AL, 250V~	015-0346-08

Page Applies To Model Numbers:	Serial Numbers:
153941-002 and 153941-004	All